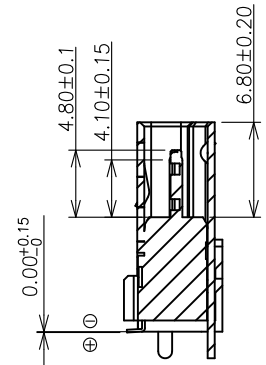
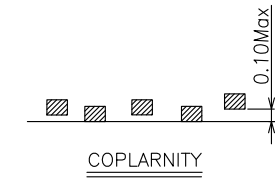
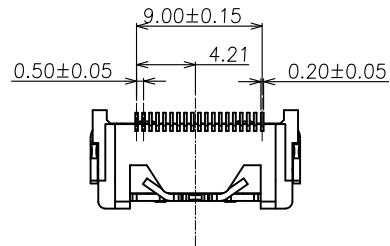
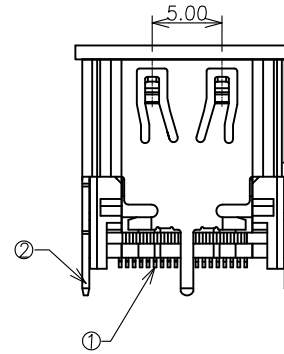
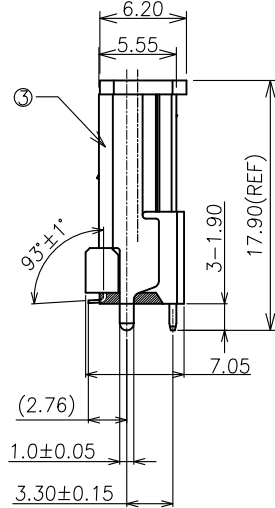
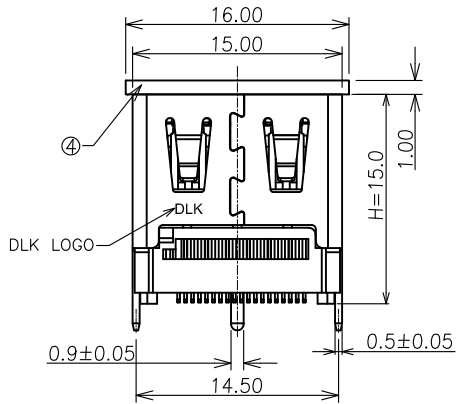
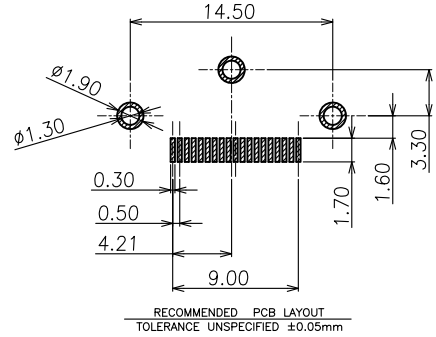
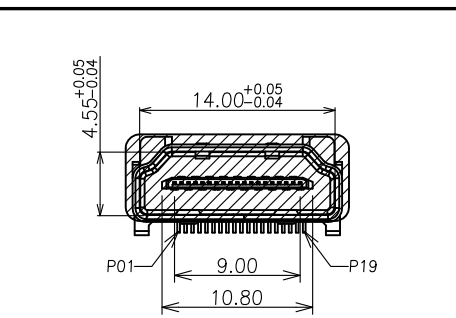


符合DLK环境管理物质技术标准 符合HDMI协会规范

工程变更通知单 ECN(DCN) NO.	版本 REV	日期 DATE	说明 DESCRIPTION	改变 CHANGE	承认 APPRO.
KSECN24003	A	20240118	NEW RELEASE	—	—



NOTE:

1. MATERIAL.

1.1 Housing: LCP UL94v-0, color: Black

1.2 Contact: Copper alloy

1.3 Shell: Stainless steel

2. PLATING:

2.1 Contact: 15u" Au plated on contact Area,  
50u" Min. Matte Tin plated on solder tail,  
50u" Min. Nickel underplated

2.2 Shell: Nickel plated overall

3. MECHANICAL:

3.1 Mating force: 4.5kgf Max.

3.2 Unmating force: 1.0~4.0kgf.

3.3 Durability: 10000 cycles Min.

4. ELECTRICAL:

4.1 Current Rating: 0.5A

4.2 Voltage Rating: 40V

4.3 Dielectric strength: 500V AC FOR 1 minute

4.4 Insulation Resistance: 100MΩ Min.

4.5 Contact Resistance: 10mΩ Max

5. Operating Temperature: -55°c to +105°c

6. PACKING: Tape & Reel

4	COVER	1	LCP	UL94V-0, BLACK
3	SHELL	1	STAINLESS STEEL	PLATED NI
2	HOUSING	1	LCP	UL94V-0, BLACK
1	CONTACT	19	COPPER ALLOY	PLATED Au AND MATTE TIN
NO.	ITEM	Q'TY	DESCRIPTION	FINISH

GENERAL TOLERANCE  
UNLESS OTHERWISE NOTED

Angle	±5°
X.	±0.35
.X	±0.25
.XX	±0.15
.XXX	±0.10

德力康电子科技有限公司  
DLK DELIKANG ELECTRONICS TECHNOLOGY CO.,LTD

C 名称 TITLE:	HDMI2.1 A/F V/T 15H 19PIN CONN.			
档案名称 FILE NAME:	C-HDM67-00-00	料号 PART NO.:	56719B01101	
DRAWING	蒋召	CHECKED	覃智森	APPROVED 段国强
UNIT:	mm	SCALE	1:1	SHEET: 1 of 1