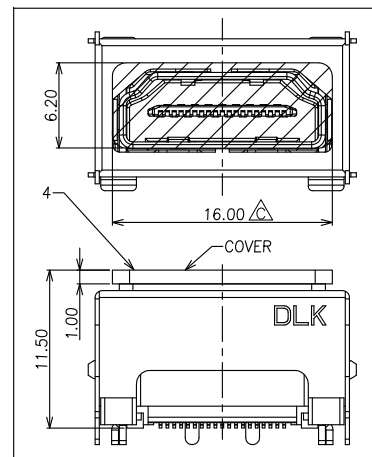
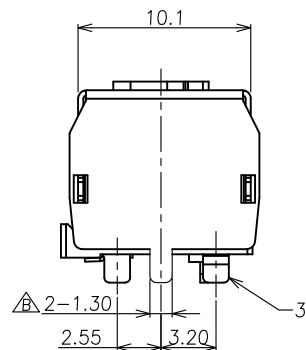
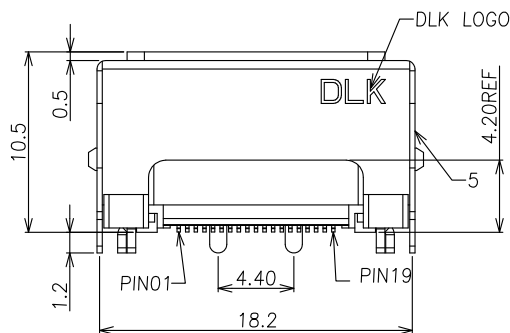
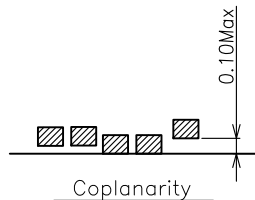
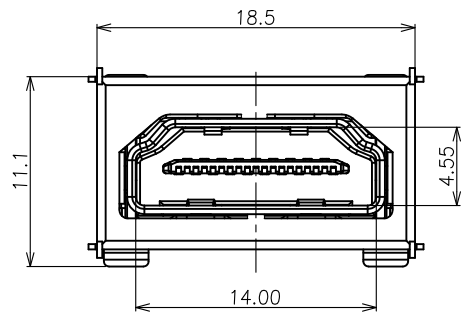


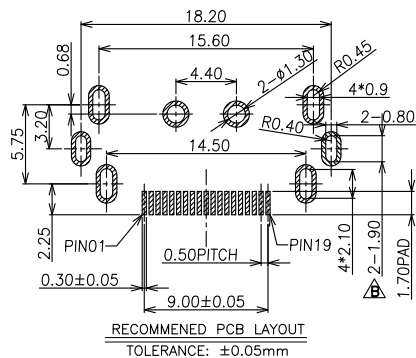
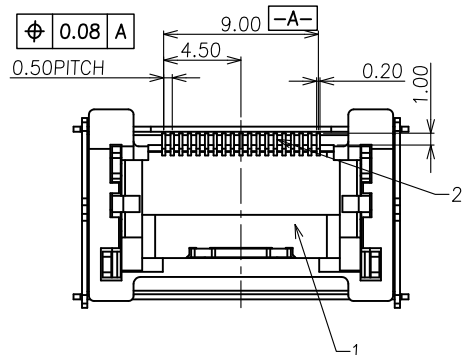
符合"DLK环境管理物质技术标准",符合HDMI协会规范要求

工程变更通知单 ECN (DCN) NO.	版本 REV	日期 DATE	说明 DESCRIPTION	改变 CHANGE	承认 APPRO.
KSECN16048	A	20160711	NEW RELEASE	—	—
KSECN16062	B	20160918	1. 屏蔽罩脚尺寸由1.50修改为1.30 2. 依实物修改PCB板脚位尺寸由2.30改为1.90	陈浩泽	王永辉
KSECN20033	C	20200730	后塞依实物将17.50mm尺寸改为16.0mm	王永辉	严成旺



NOTE:

- MATERIAL:
 - Housing: LCP UL94v-0, color: Black
 - Contact: Copper alloy
 - Shell: Ferro alloy
 - Shield case: Ferro alloy
- PLATING:
 - Contact: 1u" Au plated on contact Area, 50u" Min. Nickel underplated
 - Shell: Nickel plated overall
- MECHANICAL:
 - Mating force: 4.5kgf Max.
 - Unmating force: 1.0~4.0kgf.
 - Durability: 10000 cycles Min.
- ELECTRICAL:
 - Current Rating: 0.5A
 - Voltage Rating: 40V
 - Dielectric strength: 500V AC FOR 1 minute
 - Insulation Resistance: 100MΩ Min.
 - Contact Resistance: 10mΩ Max
- PACKING: Tape & Reel



NO.	ITEM	Q'TY	DESCRIPTION	FINISH
5	SHIELD CASE	1	FERRO ALLOY	TIN PLATED
4	STOPPLE	1	LCP	UL94V-0, BLACK
3	SHELL	1	FERRO ALLOY	PLATED Ni
2	CONTACT	19	COPPER ALLOY	PLATED Au
1	HOUSING	1	LCP	UL94V-0, BLACK

GENERAL TOLERANCE
UNLESS OTHERWISE NOTED

Angle	±5°
X.	±0.35
.X	±0.25
.XX	±0.15
.XXX	±0.10
A4	



德力康电子科技有限公司
DELIKANG ELECTRONICS TECHNOLOGY CO.,LTD

C 名称 TITLE:	HDMI A/F V/T 10.5H 19PIN CONN.			
档案名称 FILE NAME:	C-HDM4L-00-00	料号 PART NO:	54L19B12301	
DRAWING	GP. LU	CHECKED	APPROVED	严成旺
UNIT:	mm	SCALE	1:1	SHEET: 1 of 1