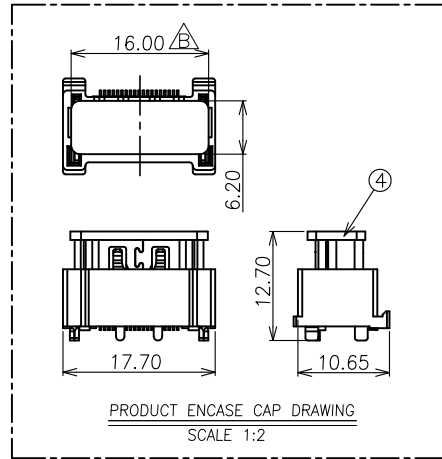
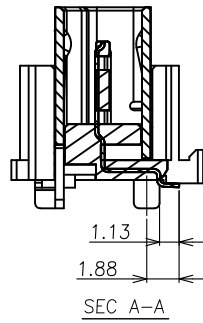
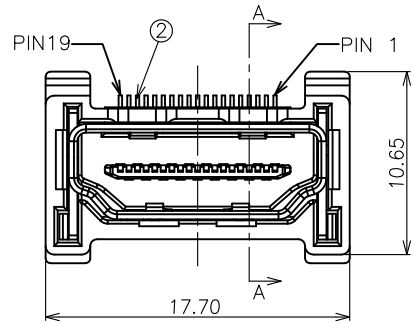
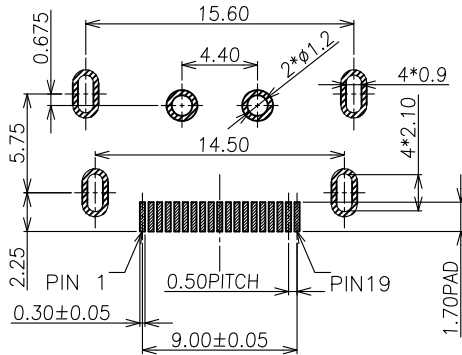
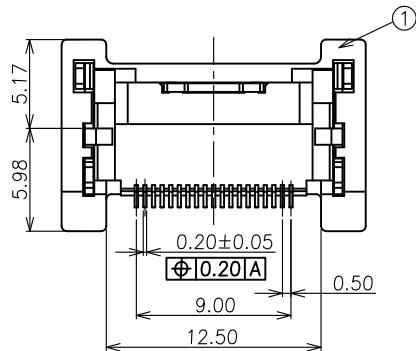
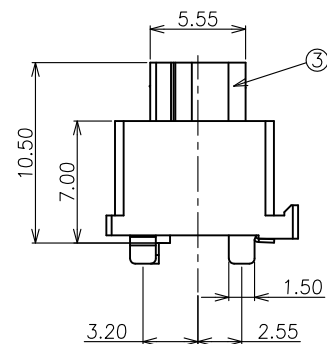
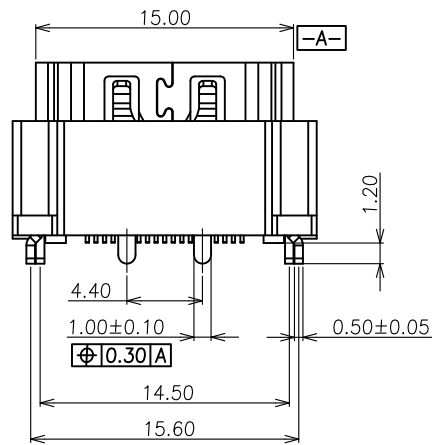


符合"DLK环境管理物质技术标准",符合HDMI协会规范要求

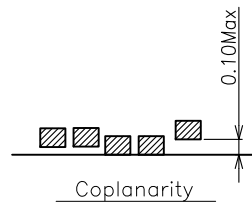
工程变更通知单 ECN (DCN) NO.	版本 REV	日期 DATE	说明 DESCRIPTION	改变 CHANGE	承认 APPRO.
KSECN16005	A	20160108	NEW RELEASE	—	—
KSECN20033	B	20200730	后塞依实物将17.50mm尺寸改为16.0mm $\triangle B$ *1	王永辉	严成旺



- NOTE:
- MATERIAL:
 - Housing: LCP UL94v-0, color: Black
 - Contact: Copper alloy
 - Shell: Ferro alloy
 - PLATING:
 - Contact: 1u" Au plated on contact Area, 50u" Min. Nickel underplated
 - Shell: Nickel plated overall
 - MECHANICAL:
 - Mating force: 4.5kgf Max.
 - Unmating force: 1.0~4.0kgf.
 - Durability: 10000 cycles Min.
 - ELECTRICAL:
 - Current Rating: 0.5A
 - Voltage Rating: 40V
 - Dielectric strength: 500V AC FOR 1 minute
 - Insulation Resistance: 100MΩ Min.
 - Contact Resistance: 10mΩ Max
 - Operating Temperature: -55°C to +105°C
 - PACKING: Tape & Reel



RECOMMENED PCB LAYOUT
TOLERANCE: ± 0.05 mm



NO.	ITEM	Q'TY	DESCRIPTION	FINISH
4	STOPPLE	1	LCP	UL94V-0, BLACK
3	SHELL	1	FERRO ALLOY	PLATED Ni
2	CONTACT	19	COPPER ALLOY	PLATED Au
1	HOUSING	1	LCP	UL94V-0, BLACK

GENERAL TOLERANCE
UNLESS OTHERWISE NOTED

Angle	$\pm 5^\circ$
X.	± 0.35
.X	± 0.25
.XX	± 0.15
.XXX	± 0.10



德力康电子科技有限公司
DELIKANG ELECTRONICS TECHNOLOGY CO.,LTD

C 名称 TITLE:	HDMI A/F V/T 10.5H 19PIN CONN.			
档案名称 FILE NAME:	C-HDM4L-00-3L	料号 PART NO.:	54L19B123L1	
DRAWING	陈浩泽	CHECKED	APPROVED	严成旺
UNIT:	mm	SCALE	1:1	SHEET: 1 of 1