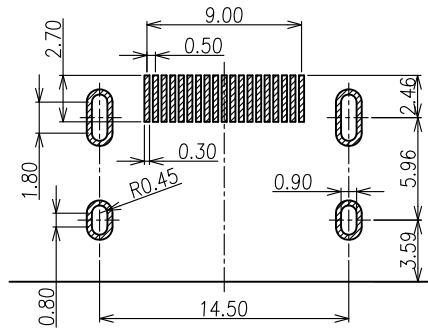
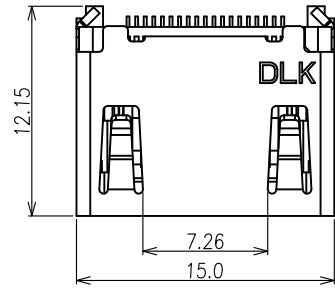


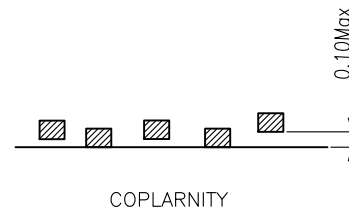
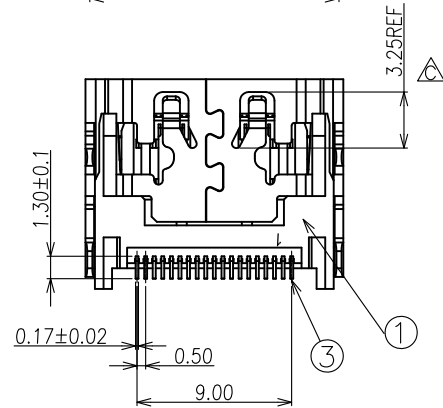
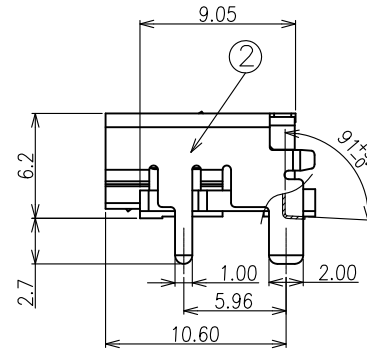
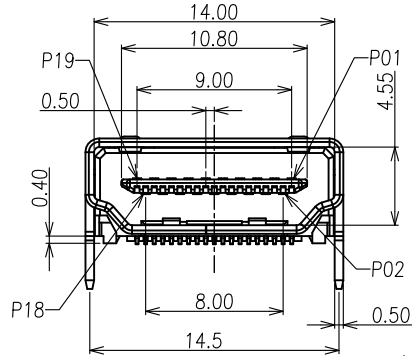
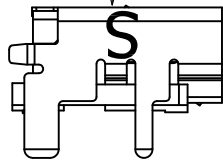
符合"DLK环境管理物质技术标准",符合HDMI协会规范要求

| 工程变更通知单 ECN(DCN) NO. | 版本 REV | 日期 DATE | 说明 DESCRIPTION | 改变 CHANGE | 承认 APPRO. |
|-------------------------|-----------|------------|--|--------------|--------------|
| KSECN15014 | A | 20151026 | NEW RELEASE | — | — |
| KSECN16049 | B | 20161014 | 铁材质外壳侧面增加S标识 | 陈浩泽 | 王永辉 |
| KSECN16085 | C | 20161231 | 增强拔出力量将弹片力臂由5.38mm改为3.25mm \triangle | 陈浩泽 | 王永辉 |



RECOMMENED PCB LAYOUT
TOLERANCE: $\pm 0.05\text{mm}$

S: 外壳材质为SPCC规格



NOTE:

- MATERIAL:
 - Housing: LCP UL94v-0, color: Black
 - Contact: Copper alloy
 - Shell: Ferro alloy
- PLATING:
 - Contact: 1u" Au plated on contact Area, 50u" Min. Matte Tin plated on solder tail, 50u" Min. Nickel underplated
 - Shell: Nickel plated overall
- MECHANICAL:
 - Mating force: 4.5kgf Max.
 - Unmating force: 1.0~4.0kgf.
 - Durability: 10000 cycles Min.
- ELECTRICAL:
 - Current Rating: 0.5A
 - Voltage Rating: 40V
 - Dielectric strength: 500V AC FOR 1 minute
 - Insulation Resistance: 100M Ω Min.
 - Contact Resistance: 10m Ω Max
- Operating Temperature: -55 $^\circ\text{C}$ to +105 $^\circ\text{C}$
- PACKING: Tape & Reel

德力康电子科技有限公司
DLK DELIKANG ELECTRONICS TECHNOLOGY CO.,LTD

GENERAL TOLERANCE
UNLESS OTHERWISE NOTED

| | |
|-------|---------------|
| Angle | $\pm 5^\circ$ |
| X. | ± 0.35 |
| .X | ± 0.25 |
| .XX | ± 0.15 |
| .XXX | ± 0.10 |
| A4 | |

| | | | | | |
|---|--------------------|-----------------------------------|----------------|-------------|---------------|
| C | 名称 TITLE: | HDMI A/F R/A 6.2H 19PIN SMT CONN. | | | |
| | 档案名称 FILE NAME: | C-HDM41-00-09 | 料号 PART NO: | 54119B01191 | |
| | DRAWING | 陆桂棚 | CHECKED | APPROVED | 严成旺 |
| | UNIT: | mm | SCALE | 1:1 | SHEET: 1 of 1 |

| NO. | ITEM | Q'TY | DESCRIPTION | FINISH |
|-----|---------|------|--------------|----------------|
| 3 | CONTACT | 19 | COPPER ALLOY | PLATED Au |
| 2 | SHELL | 1 | FERRO ALLOY | PLATED NI |
| 1 | HOUSING | 1 | LCP | UL94V-0, Black |