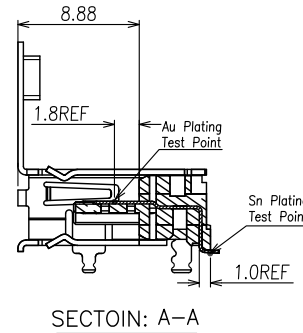
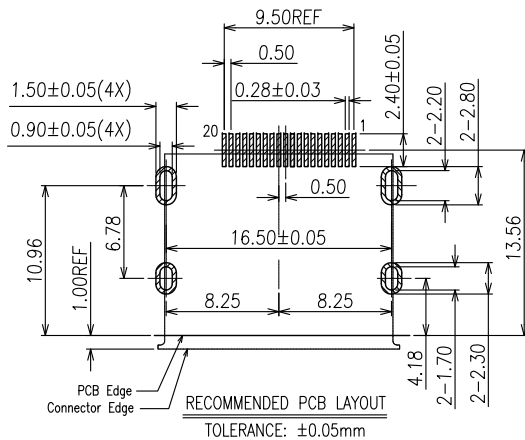
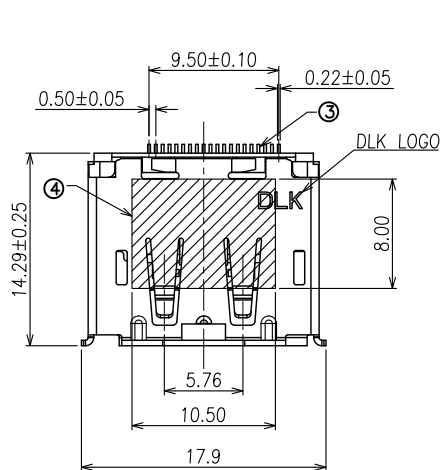


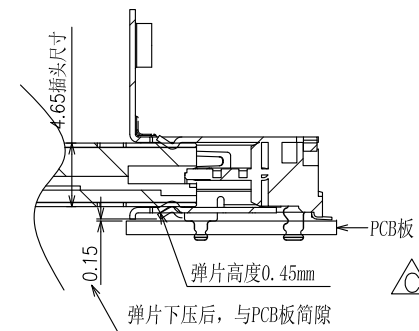
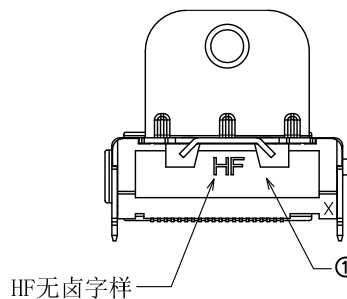
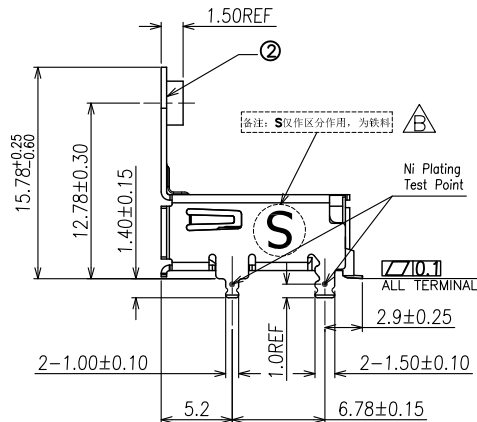
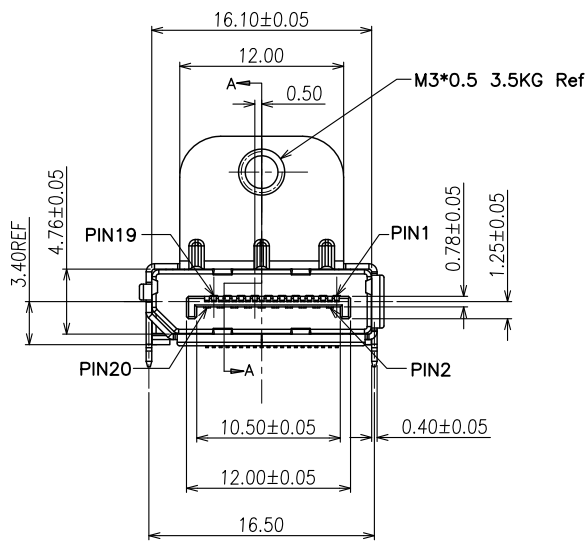
符合"DLK环境管理物质技术标准"

符合VESA协会规范标准"

工程变更通知单 ECN(DCN) NO.	版本 REV	日期 DATE	说明 DESCRIPTION	变更 CHANGE	核准 APPRO.
KSECN19064	B	20220802	产品外壳材质由C2680改为SUS430 Δ B *2	覃智森	吴豪
KSECN22048	C	20221121	修改弹片尺寸 Δ A *1	邱宇	吴豪
KSECN23010	D	20230323	依客户要求外壳脚增加葫芦形缺口	覃智森	段国强



- NOTE:
- MATERIAL:
 - Housing: LCP UL94v-0, color: Black
 - Contact: Copper alloy
 - Shell: Stainless steel
 - PLATING:
 - Contact: 15u"Au plated on contact Area, 50u" Min. Matte Tin plated on solder tail, 50u" Min. Nickel underplated
 - Shell: Nickel plated overall
 - MECHANICAL:
 - Mating force: 4.5kgf Max.
 - Unmating force: 1.0~4.0kgf.
 - Durability: 10000 cycles Min.
 - ELECTRICAL:
 - Current Rating: 0.5A
 - Voltage Rating: 40V
 - Dielectric strength: 500V AC FOR 1 minute
 - Insulation Resistance: 100MΩ Min.
 - Contact Resistance: 30mΩ Max
 - OPERATING TEMPERATURE: -55°C to +85°C
 - PACKING: Tray



GENERAL TOLERANCE
UNLESS OTHERWISE NOTED

Angle	±5°
X.	±0.35
.X	±0.25
.XX	±0.15
.XXX	±0.10



德力康电子科技有限公司



DLK DELIKANG ELECTRONICS TECHNOLOGY CO.,LTD

C 名称 TITLE:	DisplayPort SMT Type 12.78H DIP脚长1.4			
档案名称 FILE NAME:	C-DPT22-00-01	料号 PART NO.:	62220B04111	
DRAWING	王永辉	CHECKED	APPROVED	严成旺
UNIT:	mm	SCALE	1:1	SHEET: 1 of 1

NO.	ITEM	Q'TY	DESCRIPTION	FINISH
4	MYLAR	1	MYLAR	
3	CONTACT	20	COPPER ALLOY	PLATED Au
2	SHELL	1	STAINLESS STEEL	PLATED NI
1	HOUSING	1	LCP	UL94V-0,Black