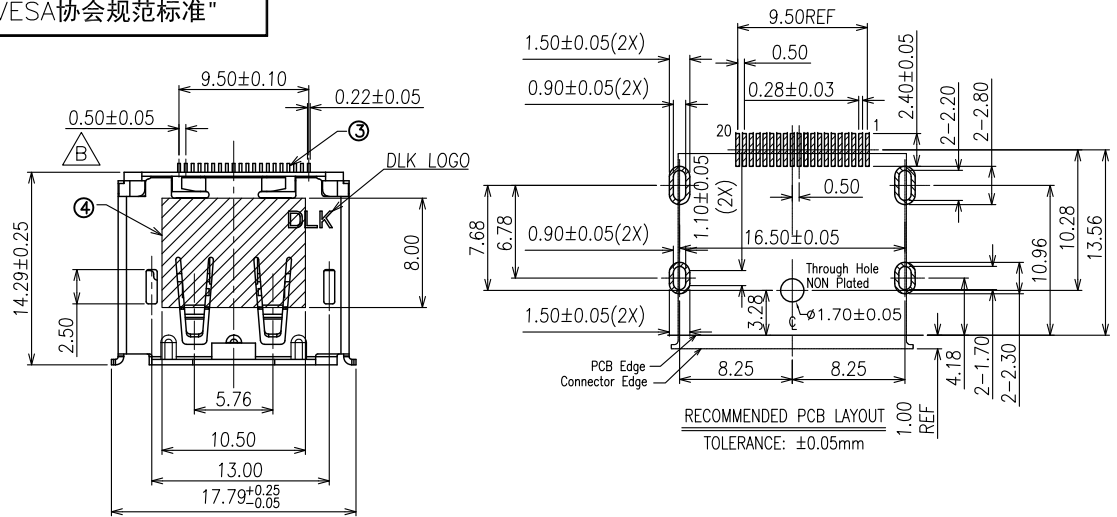


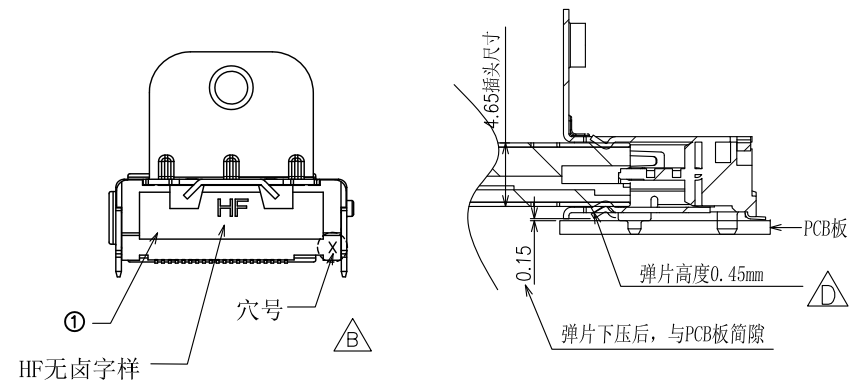
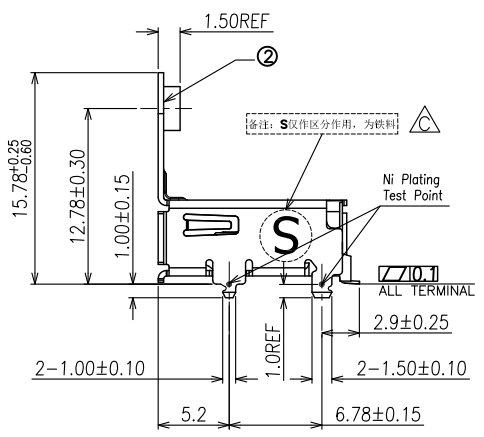
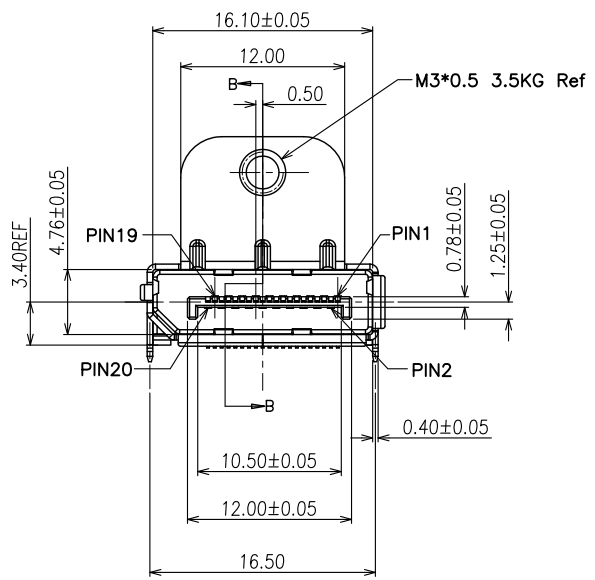
符合"DLK环境管理物质技术标准"

符合VESA协会规范标准"

工程变更通知单 ECN(DCN) NO.	版本 REV	日期 DATE	说明 DESCRIPTION	变更 CHANGE	核准 APPRO.
KSECN19040	B	20190805	配合客户取消尾部凸台, 模穴号位置移至背面右下角	△*2	覃智森 王永辉
KSECN22018	C	20220802	产品外壳材质由C2680改为SUS430	△*2	覃智森 吴豪
KSECN22048	D	20221121	修改弹片高度	△*1	邱宇 吴豪



NOTE:
 1. MATERIAL:
 1.1 Housing: LCP UL94v-0, color: Black
 1.2 Contact: Copper alloy
 1.3 Shell: Stainless steel
 2. PLATING:
 2.1 Contact: 15u"Au plated on contact Area, 50u" Min. Matte Tin plated on solder tail, 50u" Min. Nickel underplated
 2.2 Shell: Nickel plated overall
 3. MECHANICAL:
 3.1 Mating force:4.5kgf Max.
 3.2 Unmating force:1.0~4.0kgf.
 3.3 Durability:10000 cycles Min.
 4. ELECTRICAL:
 4.1 Current Rating:0.5A
 4.2 Voltage Rating:40V
 4.3 Dielectric strength:500V AC FOR 1 minute
 4.4 Insulation Resistance:100MΩ Min.
 4.5 Contact Resistance:30mΩ Max
 5. Operating Temperature:-55°c to +85°c
 6. PACKING: Tray



NO.	ITEM	Q'TY	DESCRIPTION	FINISH
4	MYLAR	1	MYLAR	
3	CONTACT	20	COPPER ALLOY	PLATED Au
2	SHELL	1	STAINLESS STEEL	PLATED NI
1	HOUSING	1	LCP	UL94V-0,Black

GENERAL TOLERANCE UNLESS OTHERWISE NOTED	
Angle	±5°
X.	±0.35
.X	±0.25
.XX	±0.15
.XXX	±0.10

DLK 德力康电子科技有限公司
 DELIKANG ELECTRONICS TECHNOLOGY CO.,LTD

C 名称 TITLE: DisplayPort SMT Type 12.78H DIP脚长1.0

档案名称 FILE NAME: C-DPT22-00-02 料号 PART NO: 62220B04121

DRAWING 覃智森 CHECKED 王永辉 APPROVED 严成旺

UNIT: mm SCALE 1:1 SHEET: 1 of 1