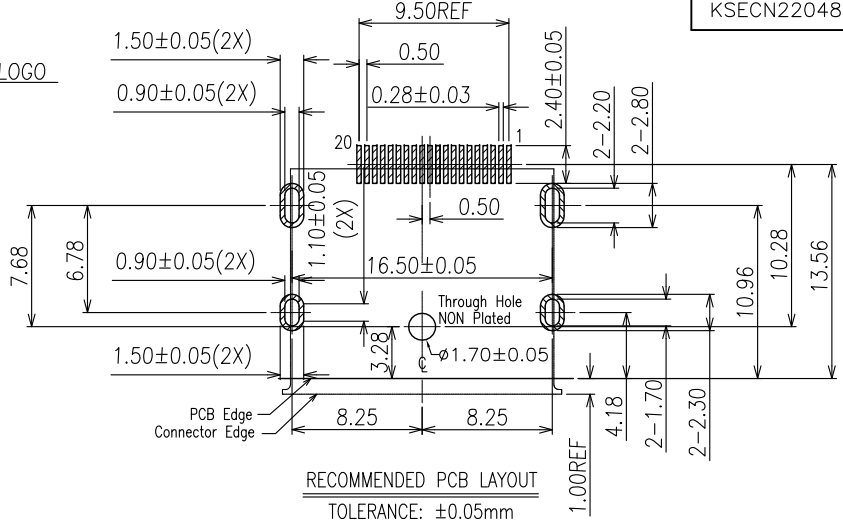
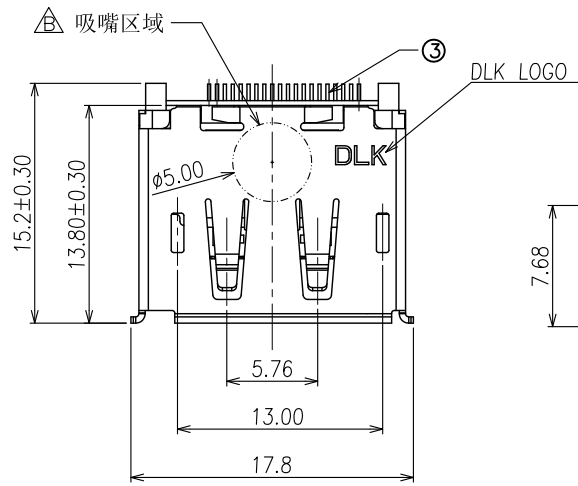


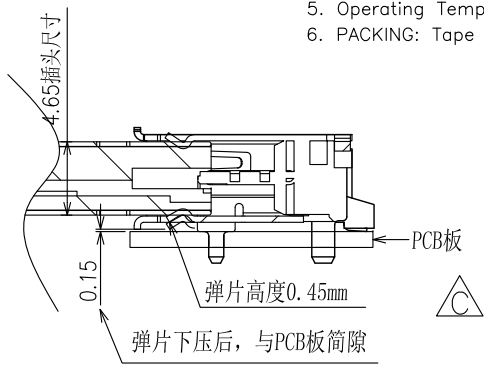
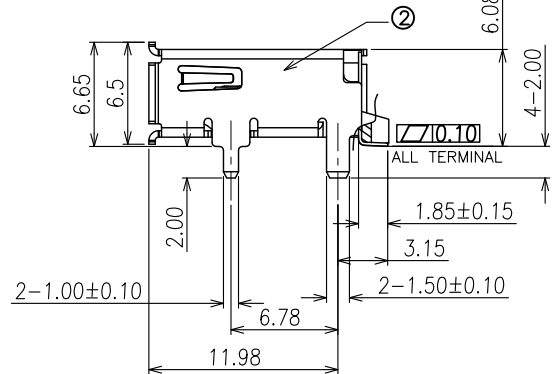
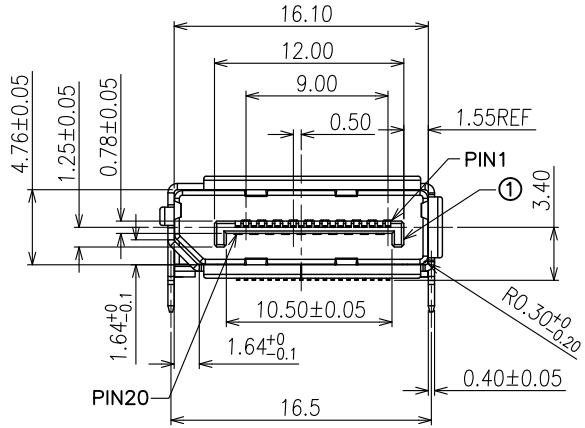
符合"DLK环境管理物质技术标准"

符合VESA协会规范标准"

工程变更通知单 ECN(DCN) NO.	版本 REV	日期 DATE	说明 DESCRIPTION	变更 CHANGE	核准 APPRO.
KSECN17055	A	20171030	NEW RELEASE	—	—
KSECN20023	B	20200827	取消背胶, 增加 $\phi 5$ 的吸嘴区域 $\triangle$ *2	覃智森	严成旺
KSECN22048	C	20221121	修改弹片高度 $\triangle$ *1	邱宇	吴豪



NOTE:  
 1. MATERIAL:  
 1.1 Housing: LCP UL94v-0, color: Black  
 1.2 Contact: Copper alloy  
 1.3 Shell: Copper alloy  
 2. PLATING:  
 2.1 Contact: 15u" Au plated on contact Area, 50u" Min. Matte Tin plated on solder tail, 50u" Min. Nickel underplated  
 2.2 Shell: Nickel plated overall  
 3. MECHANICAL:  
 3.1 Mating force: 4.5kgf Max.  
 3.2 Unmating force: 1.0~4.0kgf.  
 3.3 Durability: 10000 cycles Min.  
 4. ELECTRICAL:  
 4.1 Current Rating: 0.5A  
 4.2 Voltage Rating: 40V  
 4.3 Dielectric strength: 500V AC FOR 1 minute  
 4.4 Insulation Resistance: 100M $\Omega$  Min.  
 4.5 Contact Resistance: 30m $\Omega$  Max  
 5. Operating Temperature: -55°C to +85°C  
 6. PACKING: Tape & Reel



GENERAL TOLERANCE UNLESS OTHERWISE NOTED		<b>德力康电子科技有限公司</b> <b>DLK DELIKANG ELECTRONICS TECHNOLOGY CO.,LTD</b>			
Angle	±5°	C 名称 TITLE:	DisplayPort SMT Type 6.08H		
X.	±0.35	档案名称 FILE NAME:	C-DPT4-00-03	料号 PART NO:	62420B04131
.X	±0.25	DRAWING	王永辉	CHECKED	APPROVED 严成旺
.XX	±0.15	UNIT:	mm	SCALE	1:1
.XXX	±0.10	SHEET:	1 of 1		

NO.	ITEM	Q'TY	DESCRIPTION	FINISH
3	CONTACT	20	COPPER ALLOY	PLATED Au
2	SHELL	1	COPPER ALLOY	PLATED NI
1	HOUSING	1	LCP	UL94V-0, Black