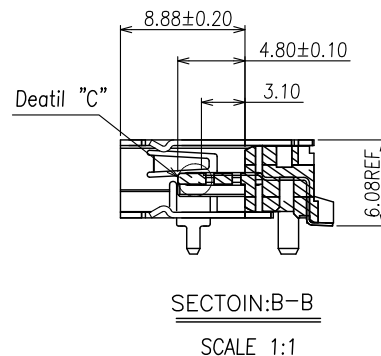
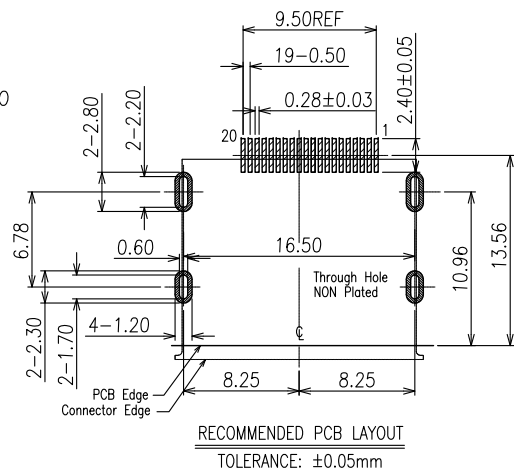
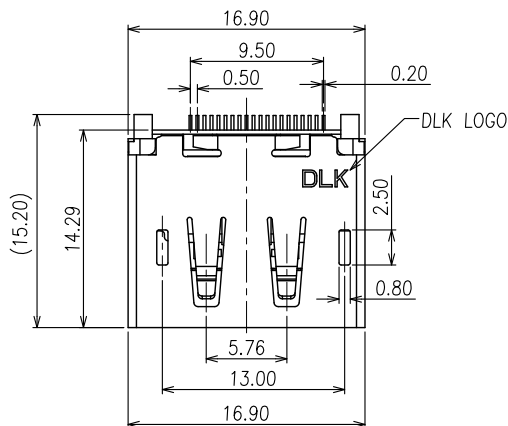


符合"DLK环境管理物质技术标准"

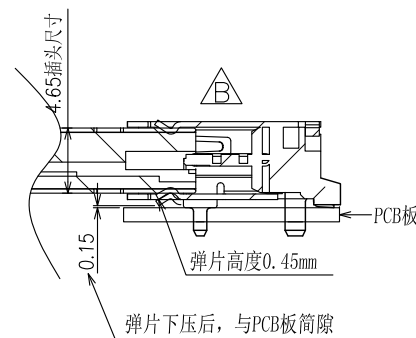
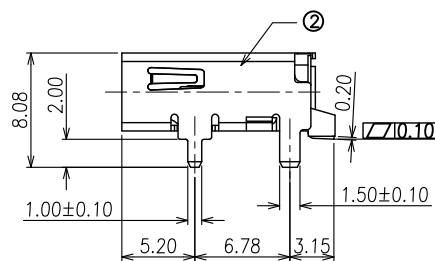
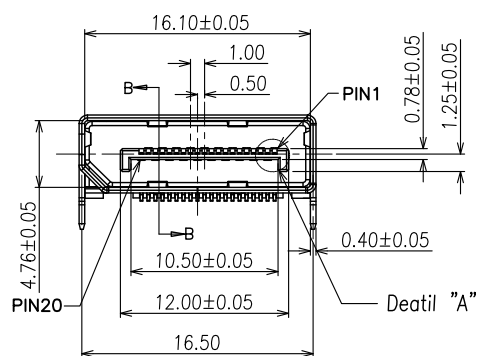
符合VESA协会规范标准"

工程变更通知单 ECN(DCN) NO.	版本 REV	日期 DATE	说明 DESCRIPTION	变更 CHANGE	核准 APPRO.
KSECN20048	A	20201102	NEW RELEASE	—	—
KSECN22048	B	20221121	修改弹片高度 Δ *1	邱宇	吴豪



NOTE:

- MATERIAL:
 - Housing: LCP UL94v-0, color: Black
 - Contact: Copper alloy
 - Shell: Copper alloy
- PLATING:
 - Contact: 1u" Au plated on contact Area, 50u" Min. Matte Tin plated on solder tail, 50u" Min. Nickel underplated
 - Shell: Nickel plated overall
- MECHANICAL:
 - Mating force: 4.5kgf Max.
 - Unmating force: 1.0~4.0kgf.
 - Durability: 10000 cycles Min.
- ELECTRICAL:
 - Current Rating: 0.5A
 - Voltage Rating: 40V
 - Dielectric strength: 500V AC FOR 1 minute
 - Insulation Resistance: 100M Ω Min.
 - Contact Resistance: 30m Ω Max
- Operating Temperature: -55 $^{\circ}\text{C}$ to +85 $^{\circ}\text{C}$
- PACKING: Tape & Reel



NO.	ITEM	Q'TY	DESCRIPTION	FINISH
3	CONTACT	20	COPPER ALLOY	PLATED Au
2	SHELL	1	COPPER ALLOY	PLATED NI
1	HOUSING	1	LCP	UL94V-0, Black

GENERAL TOLERANCE
UNLESS OTHERWISE NOTED

Angle	$\pm 5^{\circ}$
X.	± 0.35
.X	± 0.25
.XX	± 0.15
.XXX	± 0.10



德力康电子科技有限公司



DLK DELIKANG ELECTRONICS TECHNOLOGY CO.,LTD

名称 TITLE:	DisplayPort SMT Type 6.08H DIP脚长2.0				
档案名称 FILE NAME:	C-DPT9-00-01	料号 PART NO.:	62920B01111		
DRAWING	蒋召	CHECKED	—	APPROVED	覃智森
UNIT:	mm	SCALE	1:1	SHEET:	1 of 1