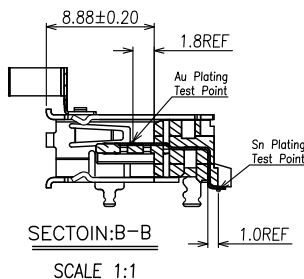
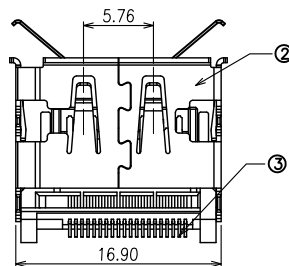
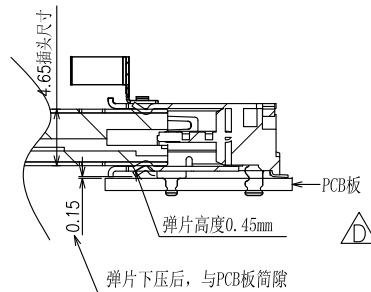
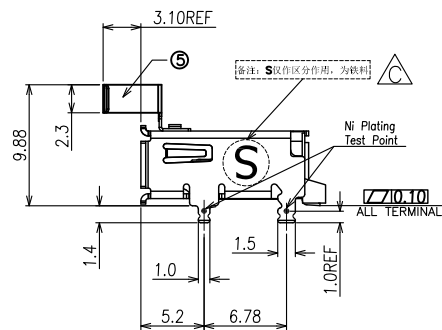
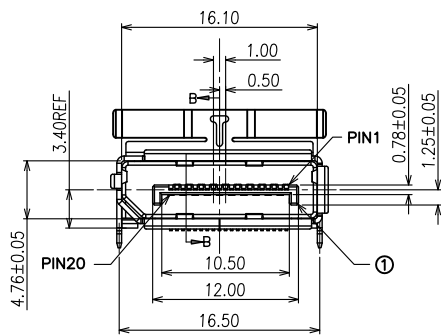
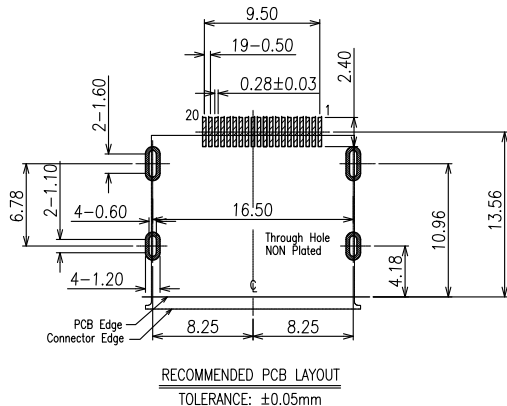
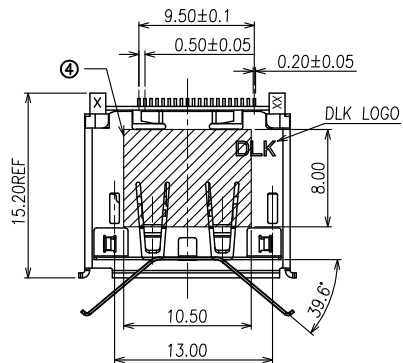


符合"DLK环境管理物质技术标准"

符合VESA协会规范标准"

工程变更通知单 ECN(DCN) NO.	版本 REV	日期 DATE	说明 DESCRIPTION	变更 CHANGE	核准 APPRO.
KSECN22018	C	20220802	产品外壳材质由C2680改为SUS430 \triangle *2	覃智森	吴豪
KSECN22048	D	20221121	修改弹片高度 \triangle *1	邱宇	吴豪
KSECN23010	E	20230323	依客户要求外壳脚增加葫芦形缺口	覃智森	段国强



NOTE:

- MATERIAL:
 - Housing: LCP UL94v-0, color: Black
 - Contact: Copper alloy
 - Shell: Stainless steel
 - Shrapnel: Stainless steel
- PLATING:
 - Contact: 15u" Au plated on contact Area, 50u" Min. Matte Tin plated on solder tail, 50u" Min. Nickel underplated
 - Shell: Nickel plated overall
- MECHANICAL:
 - Mating force: 4.5kgf Max.
 - Unmating force: 1.0~4.0kgf.
 - Durability: 10000 cycles Min.
- ELECTRICAL:
 - Current Rating: 0.5A
 - Voltage Rating: 40V
 - Dielectric strength: 500V AC FOR 1 minute
 - Insulation Resistance: 100MΩ Min.
 - Contact Resistance: 30mΩ Max
- Operating Temperature: -55°C to +85°C
- PACKING: Tape & Reel

5	SHRAPNEL	1	STAINLESS STEEL	——
4	MYLAR	1	MYLAR	——
3	CONTACT	20	COPPER ALLOY	PLATED Au
2	SHELL	1	STAINLESS STEEL	PLATED NI
1	HOUSING	1	LCP	UL94V-0, Black
NO.	ITEM	Q'TY	DESCRIPTION	FINISH

GENERAL TOLERANCE
UNLESS OTHERWISE NOTED

Angle	±5°
X.	±0.35
.X	±0.25
.XX	±0.15
.XXX	±0.10

A4

德力康电子科技有限公司
DLK DELIKANG ELECTRONICS TECHNOLOGY CO.,LTD

C 名称 TITLE:	DisplayPort SMT Type 9.88H DIP脚长1.4			
档案名称 FILE NAME:	C-DPT23-00-01	料号 PART NO:	62320B04111	
DRAWING	王永辉	CHECKED	——	APPROVED 严成旺
UNIT:	mm	SCALE	1:1	SHEET: 1 of 1