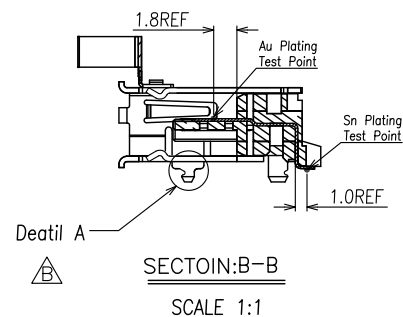
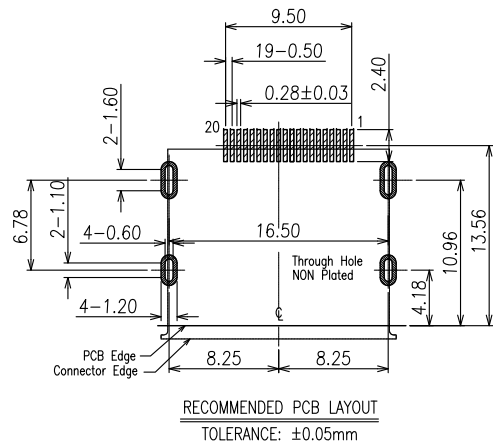
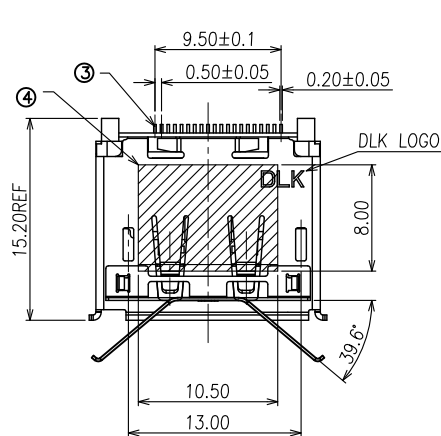


符合"DLK环境管理物质技术标准"

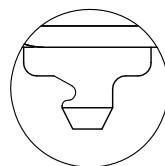
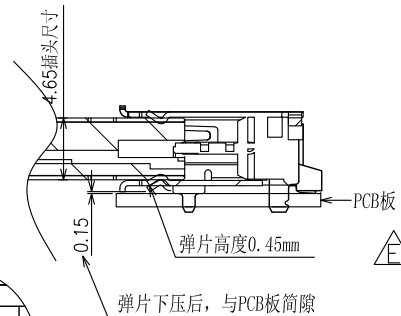
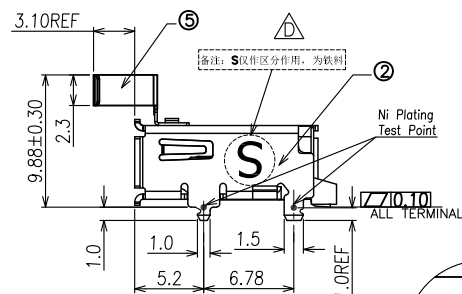
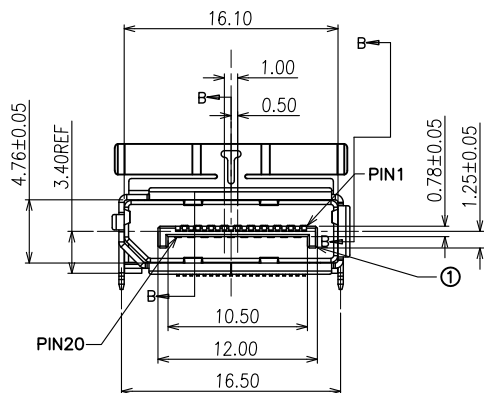
符合VESA协会规范标准"

工程变更通知单 ECN(DCN) NO.	版本 REV	日期 DATE	说明 DESCRIPTION	变更 CHANGE	核准 APPRO.
KSECN22002	C	20220228	增加载带包装, 增加DPT23A-20BM4RN12料号 $\triangle$ *1	蒋召	吴豪
KSECN22018	D	20220802	产品外壳材质由C2680改为SUS430 $\triangle$ *2	覃智森	吴豪
KSECN22048	E	20221121	修改弹片高度 $\triangle$ *1	邱宇	吴豪



NOTE:

- MATERIAL.
  - Housing: LCP UL94v-0, color: Black
  - Contact: Copper alloy
  - Shell: Stainless steel
  - Shrapnel: Stainless steel
- PLATING:
  - Contact: 15u" Au plated on contact Area, 50u" Min. Matte Tin plated on solder tail, 50u" Min. Nickel underplated
  - Shell: Nickel plated overall
- MECHANICAL:
  - Mating force: 4.5kgf Max.
  - Unmating force: 1.0~4.0kgf.
  - Durability: 10000 cycles Min.
- ELECTRICAL:
  - Current Rating: 0.5A
  - Voltage Rating: 40V
  - Dielectric strength: 500V AC FOR 1 minute
  - Insulation Resistance: 100M $\Omega$  Min.
  - Contact Resistance: 30m $\Omega$  Max
- Operating Temperature: -55°C to +85°C
- PACKING: Tape & Reel



Detail A  
SCALE 4:1

NO.	ITEM	Q'TY	DESCRIPTION	FINISH
5	SHRAPNEL	1	STAINLESS STEEL	——
4	MYLAR	1	MYLAR	——
3	CONTACT	20	COPPER ALLOY	PLATED Au
2	SHELL	1	STAINLESS STEEL	PLATED NI
1	HOUSING	1	LCP	UL94V-0, Black

GENERAL TOLERANCE  
UNLESS OTHERWISE NOTED

Angle	±5°
X.	±0.35
.X	±0.25
.XX	±0.15
.XXX	±0.10

**DLK** 德力康电子科技有限公司  
DELIKANG ELECTRONICS TECHNOLOGY CO.,LTD

C 名称 TITLE: DisplayPort SMT Type 9.88H DIP脚长1.0

档案名称 FILE NAME: C-DPT23-00-02 料号 PART NO: 62320B04112

DRAWING 蒋召 CHECKED 覃智森 APPROVED 覃智森

UNIT: mm SCALE 1:1 SHEET: 1 of 1