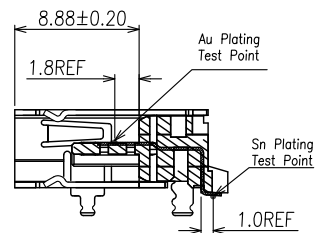
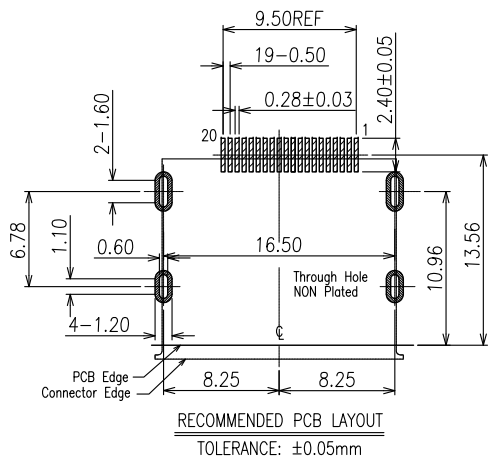
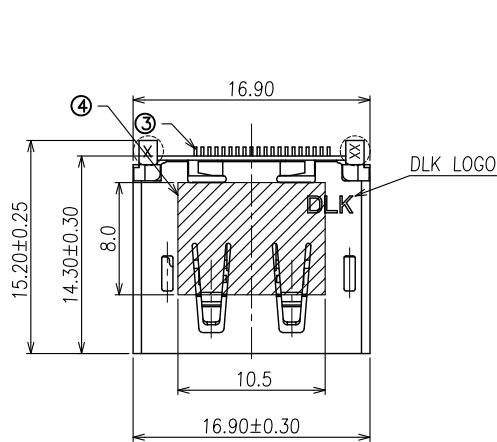


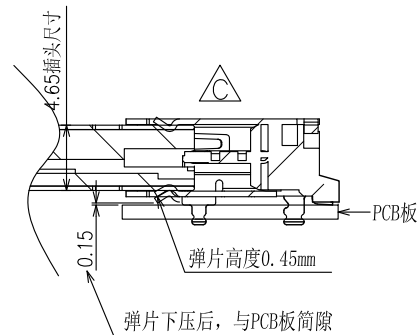
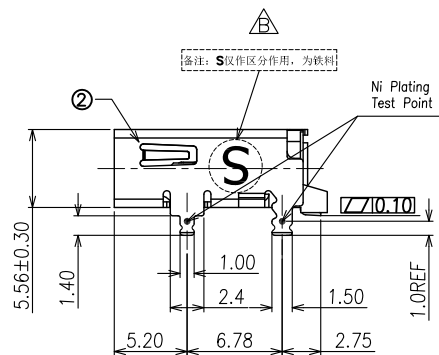
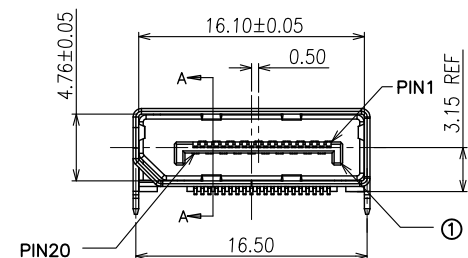
符合"DLK环境管理物质技术标准"

符合VESA协会规范标准"

工程变更通知单 ECN(DCN) NO.	版本 REV	日期 DATE	说明 DESCRIPTION	变更 CHANGE	核准 APPRO.
KSECN22018	B	20220802	产品外壳材质由C2680改为SUS430 $\Delta B$ *2	覃智森	吴豪
KSECN22048	C	20221121	修改弹片高度 $\Delta A$ *1	邱宇	吴豪
KSECN23010	E	20230323	依客户要求外壳脚增加葫芦形缺口	覃智森	段国强



SECTION: A-A  
SCALE 1:1



NOTE:

- MATERIAL:
  - Housing: LCP UL94v-0, color: Black
  - Contact: Copper alloy
  - Shell: Stainless steel
- PLATING:
  - Contact: 15u" Au plated on contact Area, 50u" Min. Matte Tin plated on solder tail, 50u" Min. Nickel underplated
  - Shell: Nickel plated overall
- MECHANICAL:
  - Mating force: 4.5kgf Max.
  - Unmating force: 1.0~4.0kgf.
  - Durability: 10000 cycles Min.
- ELECTRICAL:
  - Current Rating: 0.5A
  - Voltage Rating: 40V
  - Dielectric strength: 500V AC FOR 1 minute
  - Insulation Resistance: 100MΩ Min.
  - Contact Resistance: 30mΩ Max
  - Operating Temperature: -55°C to +85°C
- PACKING: Tape & Reel

NO.	ITEM	Q'TY	DESCRIPTION	FINISH
4	MYLAR	1	MYLAR	
3	CONTACT	20	COPPER ALLOY	PLATED Au
2	SHELL	1	STAINLESS STEEL	PLATED NI
1	HOUSING	1	LCP	UL94V-0, Black

GENERAL TOLERANCE  
UNLESS OTHERWISE NOTED

Angle	±5°
.X	±0.35
.X	±0.25
.XX	±0.15
.XXX	±0.10

**DLK** 德力康电子科技有限公司  
DELIKANG ELECTRONICS TECHNOLOGY CO.,LTD

C 名称 TITLE: DisplayPort SMT Type 6.08H DIP脚长1.4

档案名称 FILE NAME: C-DPT9-00-03 料号 PART NO: 62920B04131

DRAWING 覃智森 CHECKED 王永辉 APPROVED 严成旺

UNIT: mm SCALE 1:1 SHEET: 1 of 1