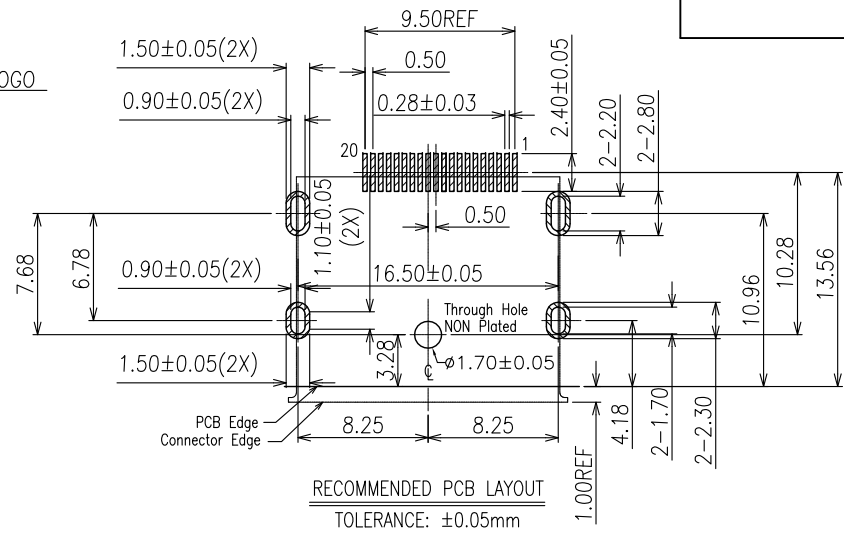
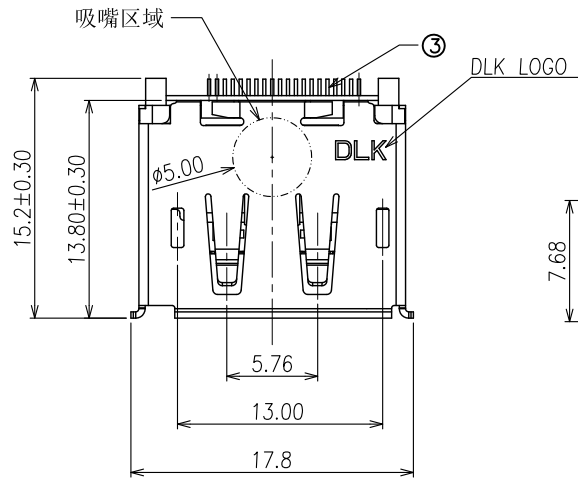


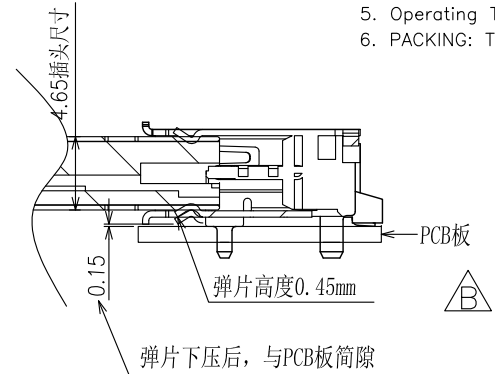
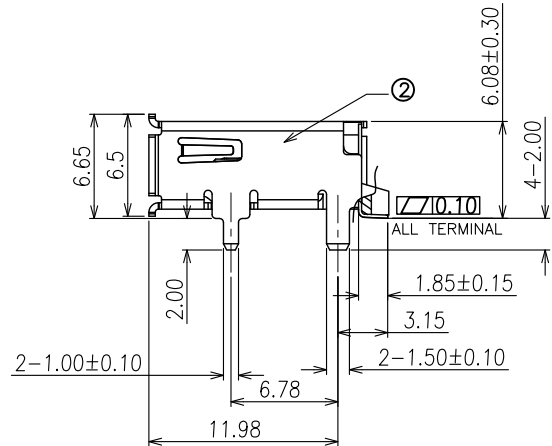
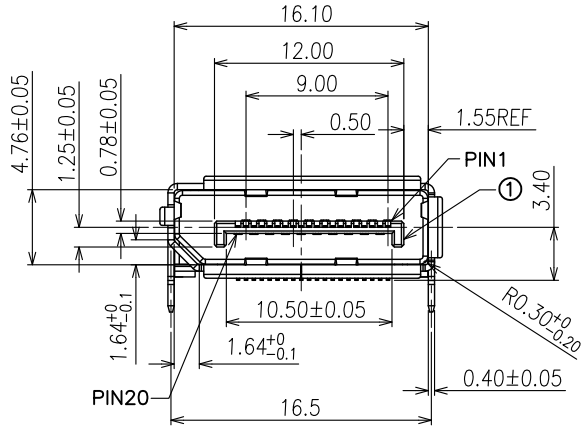
符合"DLK环境管理物质技术标准"

符合VESA协会规范标准"

工程变更通知单 ECN(DCN) NO.	版本 REV	日期 DATE	说明 DESCRIPTION	变更 CHANGE	核准 APPRO.
KSECN20051	A	20201214	NEW RELEASE	—	—
KSECN22048	B	20221121	修改弹片高度 Δ *1	邱宇	吴豪



- NOTE:
- MATERIAL:
 - Housing: LCP UL94v-0, color: Black
 - Contact: Copper alloy
 - Shell: Copper alloy
 - PLATING:
 - Contact: 1u" Au plated on contact Area, 50u" Min. Matte Tin plated on solder tail, 50u" Min. Nickel underplated
 - Shell: Nickel plated overall
 - MECHANICAL:
 - Mating force: 4.5kgf Max.
 - Unmating force: 1.0~4.0kgf.
 - Durability: 10000 cycles Min.
 - ELECTRICAL:
 - Current Rating: 0.5A
 - Voltage Rating: 40V
 - Dielectric strength: 500V AC FOR 1 minute
 - Insulation Resistance: 100M Ω Min.
 - Contact Resistance: 30m Ω Max
 - Operating Temperature: -55°c to +85°c
 - PACKING: Tape & Reel



NO.	ITEM	Q'TY	DESCRIPTION	FINISH
3	CONTACT	20	COPPER ALLOY	PLATED Au
2	SHELL	1	COPPER ALLOY	PLATED NI
1	HOUSING	1	LCP	UL94V-0, Black

GENERAL TOLERANCE UNLESS OTHERWISE NOTED	
Angle	$\pm 5^\circ$
X.	± 0.35
.X	± 0.25
.XX	± 0.15
.XXX	± 0.10

DLK 德力康电子科技有限公司
DLK DELIKANG ELECTRONICS TECHNOLOGY CO.,LTD

C 名称 TITLE: DisplayPort SMT Type 6.08H

档案名称 FILE NAME: C-DPT4-00-08 料号 PART NO: 62420B01181

DRAWING 蒋召 CHECKED — APPROVED 覃智森

UNIT: mm SCALE 1:1 SHEET: 1 of 1