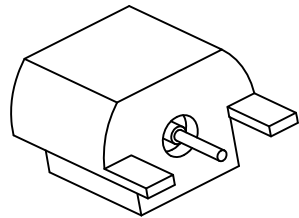
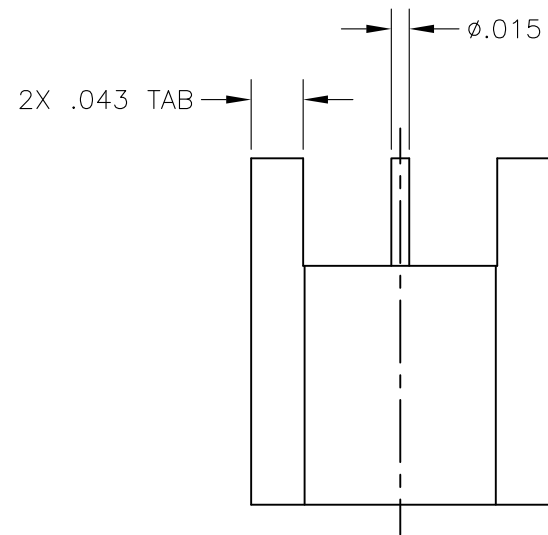
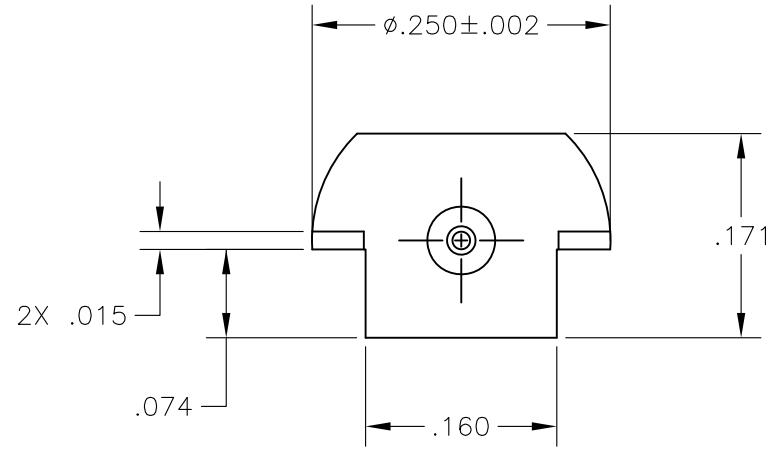
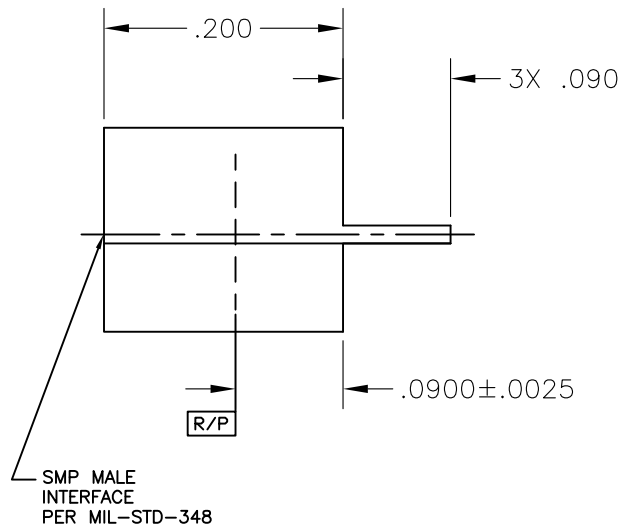


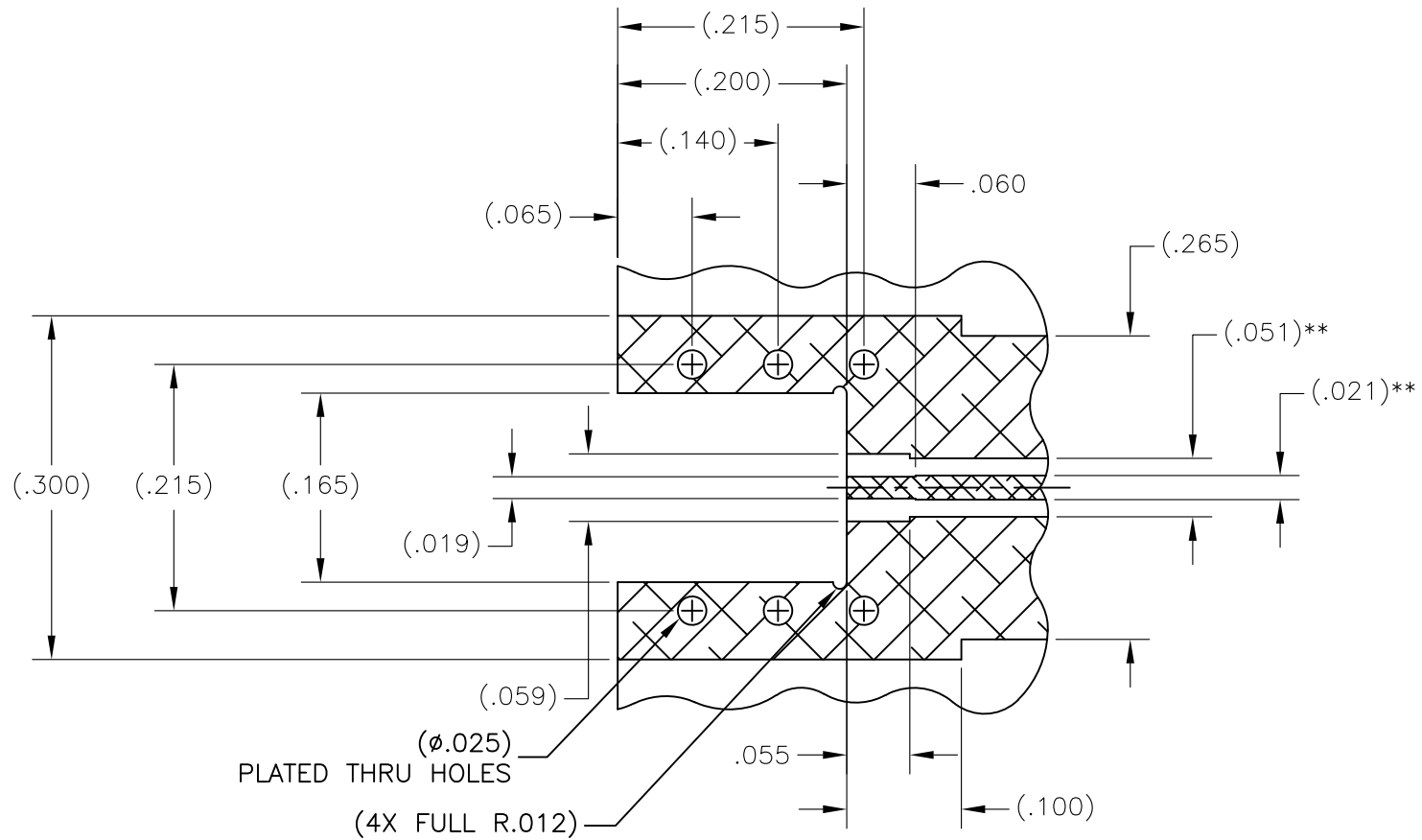
OUTLINE DRAWING



OUTLINE DRAWING

COMPONENT	MATERIAL & FINISH	MICRO-MODE PRODUCTS, INC. <i>The Reliable Connection to the Future</i>		El Cajon, CA 92020 ph 619.449.3844 www.micromode.com	CAGE CODE 15907
BODY, CONTACT, BUSHING	BeCu, ASTM B196, UNS C17300	GOLD PLATE, MIL-G-45204, TYPE 1, GRADE C, CLASS 1		ASSY PROCEDURES: N/A	
INSULATOR	PTFE, ASTM D1710, TYPE I, GRADE 1, CLASS A	INSERTION/EXTRACTION TOOL: N/A		SMP MALE, FULL DETENT EDGE LAUNCH	
		SHEET 1 OF 2		PART NO. MMSP-7457	REVISION B
		5-10-06 . EB			

OUTLINE DRAWING



OPERATING FREQUENCY	DC TO 50 GHz
VSWR	1.35:1 MAX - DC TO 50 GHz
INSERTION LOSS	0.03 \sqrt{f} (GHz)
RF HIGH POT	325 Vrms MIN @ 5 MHz
INSULATION RESISTANCE	5,000 MEGOHMS MINIMUM
DWV	500 VRMS

RF LEAKAGE	-80dB TO 3 GHz -65dB 3-26.5 GHz
IMPEDANCE	50 OHMS NOMINAL
CENTER/OUTER CONTACT RESISTANCE	6.0/2.0 mOHMS
OPERATING TEMPERATURE	-65°C TO +165°C
NON-OPERATING TEMPERATURE	-65°C TO +165°C

FORCE TO ENGAGE	15.0 LBS MAXIMUM
FORCE TO DISENGAGE	5.0 LBS MINIMUM
DURABILITY	100 CYCLES MINIMUM
VIBRATION	MIL-STD-202, METHOD 204, CONDITION D
SHOCK	MIL-STD-202, METHOD 213, CONDITION I
THERMAL SHOCK	MIL-STD-202, METHOD 107, CONDITION B

*THESE DIMENSIONS ARE PROVIDED AS A REFERENCE. CUSTOMER APPLICATIONS MAY VARY AND REQUIRE SPECIAL FEATURES THAT ARE MATCHED TO THE LAUNCH TRANSITION.

** FOR ROGERS 4350. OTHER BOARD TYPES MAY REQUIRE DIFFERENT DIMENSIONS



MICRO-MODE PRODUCTS, INC.
The Reliable Connection to the Future

El Cajon, CA 92020
ph 619.449.3844
www.micromode.com

CAGE CODE
15907

ASSY PROCEDURES: N/A
INSERTION/EXTRACTION TOOL: N/A
SHEET 2 OF 2

SMP MALE, FULL DETENT EDGE LAUNCH
PART NO. MMSP-7457
REVISION B

OUTLINE DRAWING