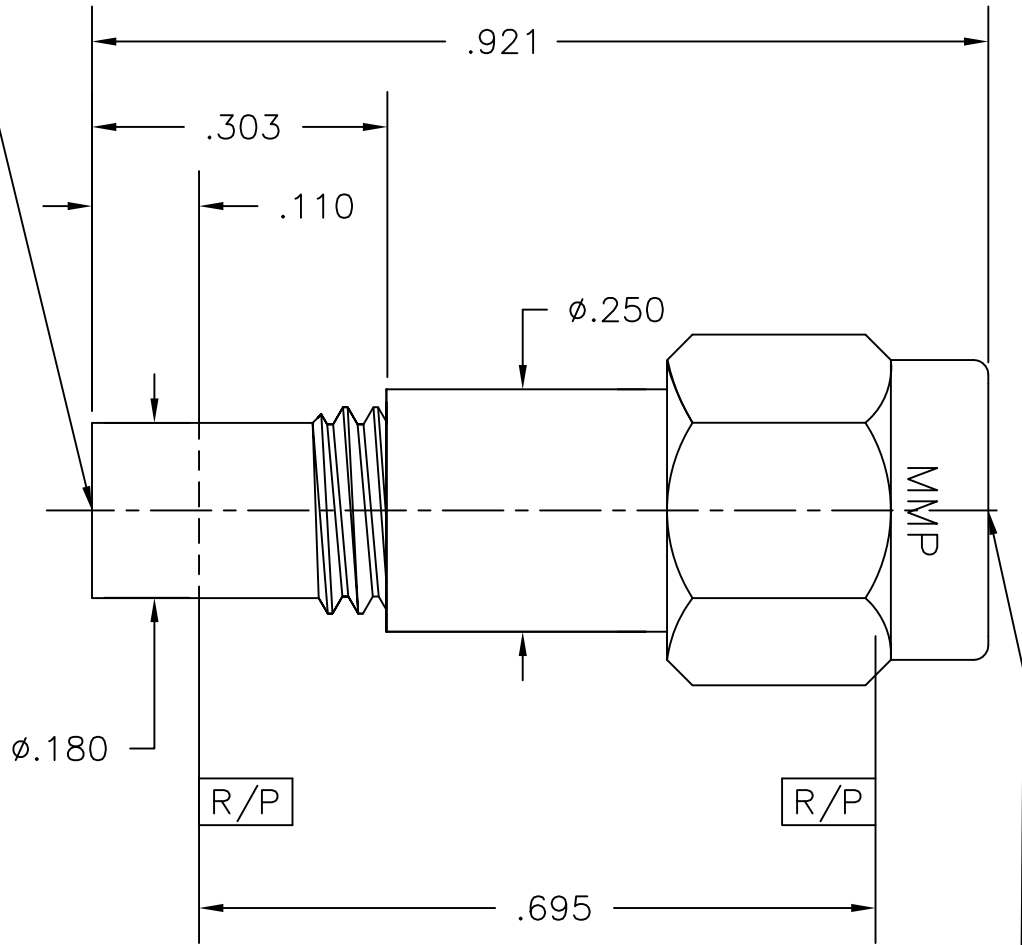
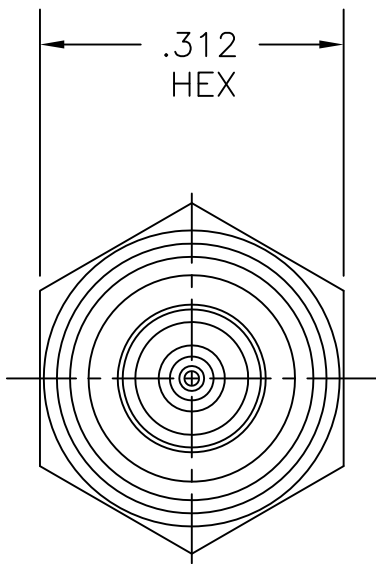


| COMPONENT | MATERIAL AND FINISH | |
|-------------------------------|---|--|
| 2.92MM BODY, CONTACT & INSERT | BeCu, ASTM B196, UNS C17300 | GOLD PLATE, MIL-G-45204, TYPE 1, GRADE C, CLASS 1 |
| INSULATORS | PTFE, ASTM D1710, TYPE I, GRADE 1, CLASS A | |
| COUPLING NUT & MMSP FD BODY | 303 CRES, ASTM A582 | PASSIVATE, AMS-QQ-P-35 |

PART NO. MADP-7746

MMSP MALE (FD)
(SMP INTERFACE
PER MIL-STD-348)



OUTLINE DRAWING

2.92mm MALE
(SMK INTERFACE
PER MIL-STD-348)



MICRO-MODE PRODUCTS, INC.
The Reliable Connection to the Future

El Cajon, CA 92020
ph 619.449.3844
www.micromode.com

CAGE CODE
15907

| | | | |
|--------------------------------|---------|--|----------|
| ASSY PROCEDURES: N/A | | MMSP MALE (FD) TO 2.92mm MALE ADAPTER | |
| INSERTION/EXTRACTION TOOL: N/A | | | |
| SHEET 1 OF 1 | | PART NO. | REVISION |
| OL7746 | 12-8-04 | MADP-7746 | A |
| DR | MD | | |