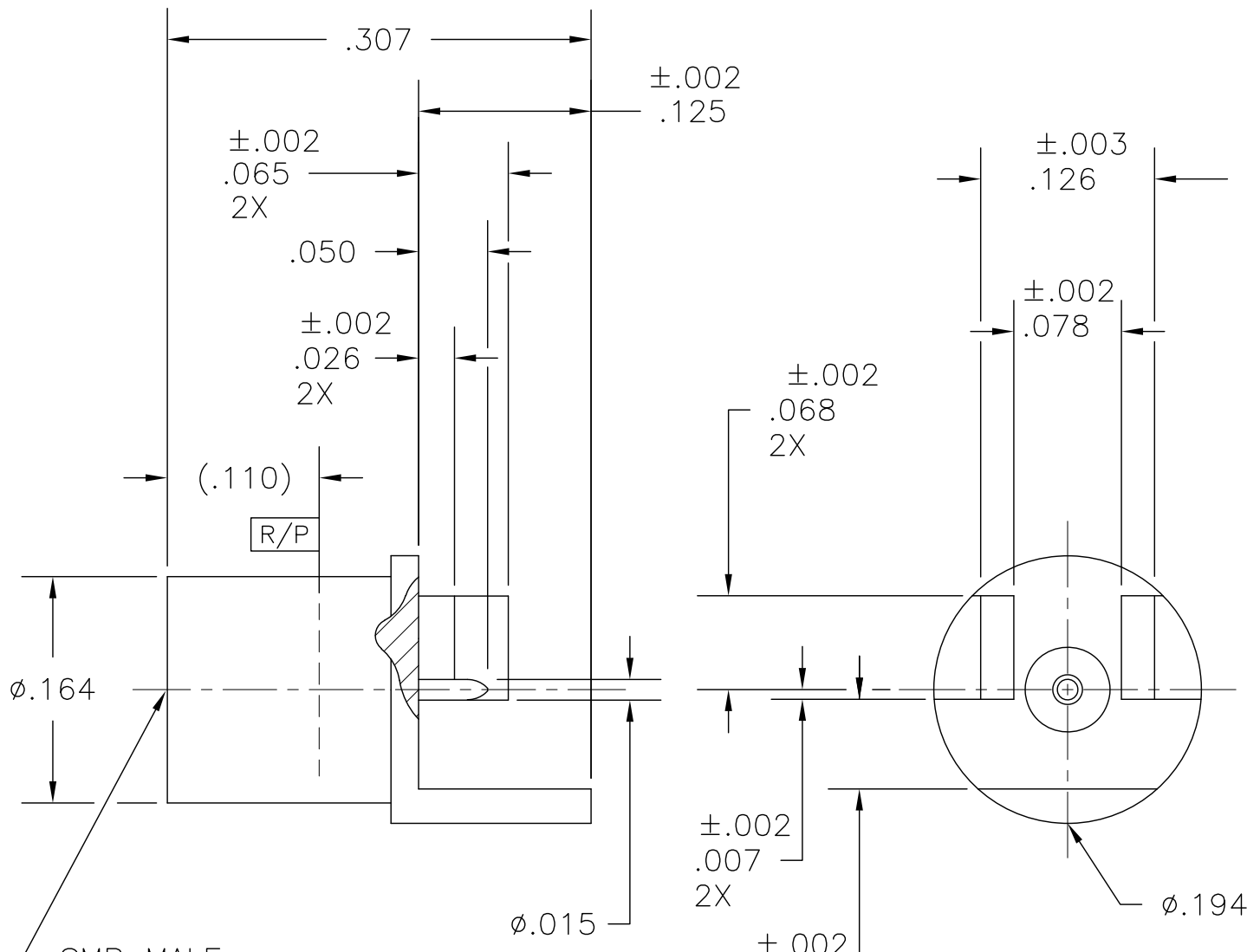


COMPONENT	MATERIAL AND FINISH	
HOUSING	BeCu, ASTM B196, UNS C17300	GOLD PLATE, MIL-G-45204, TYPE 1, GRADE C, 10-30 μ "
CONTACT	BeCu, ASTM B196, UNS C17300	GOLD PLATE, MIL-G-45204, TYPE 1, GRADE C, CLASS 1
INSULATOR	PTFE, ASTM D1710, TYPE I, GRADE 1, CLASS A	

PART NO. MMSP-3855



OUTLINE DRAWING

SMP MALE
FULL DETENT
INTERFACE
PER MIL-STD-348



MICRO-MODE PRODUCTS, INC.
The Reliable Connection to the Future

El Cajon, CA 92020
ph 619.449.3844
www.micromode.com

CAGE CODE
15907

ASSY PROCEDURE: N/A

LOCATOR TOOL: N/A

MMSP, MALE, FULL DETENT,
STRAIGHT, EDGE LAUNCH

PART NO.

REVISION

SHEET 1 OF 1 | OL3855 | 3-4-15 | EB

MMSP-3855

D