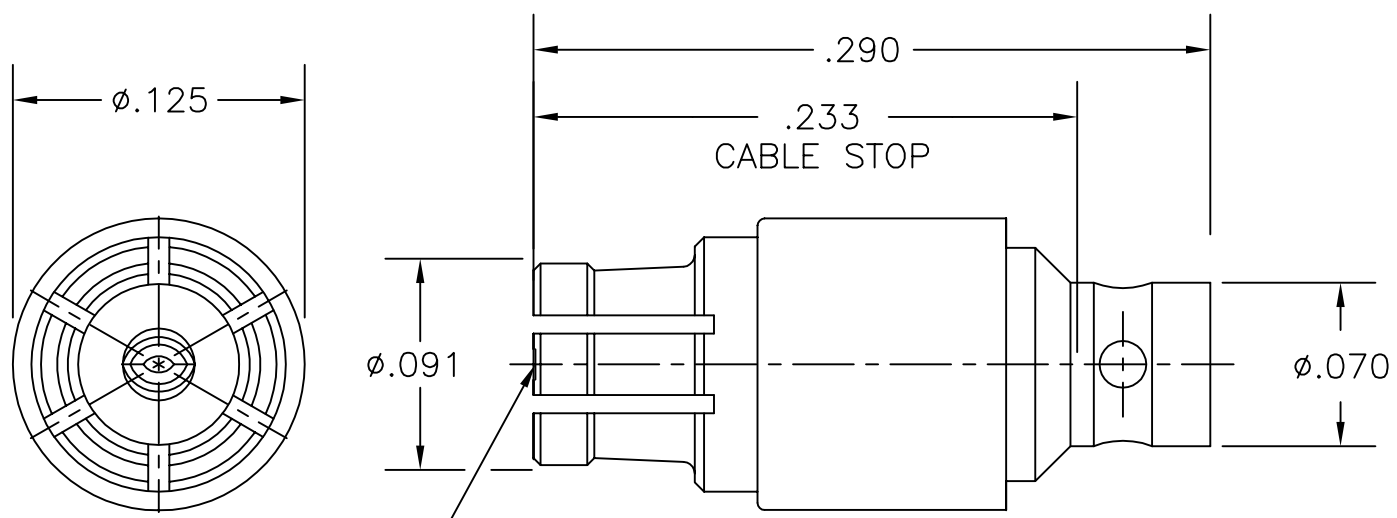
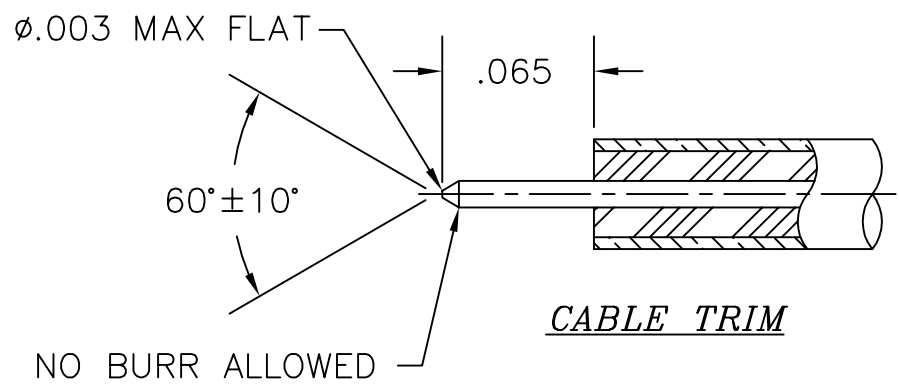


PART NO. MSSP-7246
 OUTLINE DRAWING

COMPONENT	MATERIAL AND FINISH
BODY & CONTACT	BeCu, ASTM B196, UNS C17300 GOLD PLATE, MIL-G-45204, TYPE 1, GRADE C, CLASS 1
INSULATOR	PTFE, ASTM D1710, TYPE I, GRADE 1, CLASS A
BEAD	ULTEM 1000, PER ASTM D5205



MSSP (F)
 INTERFACE



CABLE TRIM



MICRO-MODE PRODUCTS, INC.
The Reliable Connection to the Future

El Cajon, CA 92020
 ph 619.449.3844
 www.micromode.com

CAGE CODE
 15907

ASSY PROCEDURES: MMAP-5837	MSSP, FEMALE, STRAIGHT TO .047 SR CABLE	PART NO. MSSP-7246	REVISION —
INSERTION/EXTRACTION TOOL: MMTL-4870			
SHEET 1 OF 1	OL7246 2-10-03	MT	