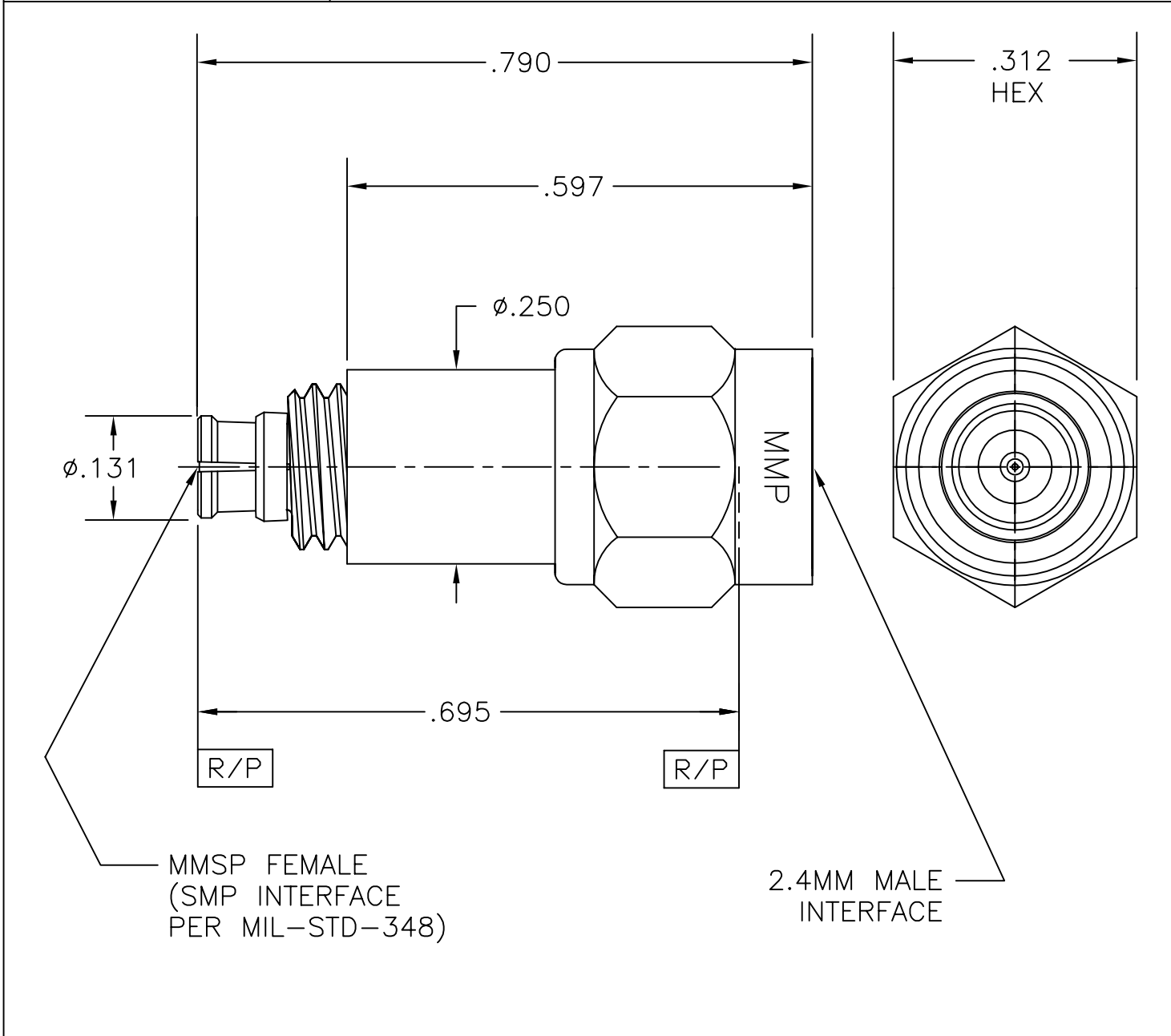


| COMPONENT   | MATERIAL AND FINISH                           |  |
|---|---|--|
| 2.4MM BODY, CONTACT, INSERT, RETAINING RING, MMSP BODY & ANTI-ROCK RING | BeCu, ASTM B196,<br>UNS C17300                | GOLD PLATE, MIL-G-45204,<br>TYPE 1, GRADE C, CLASS 1 |
| INSULATORS  | PTFE, ASTM D1710,<br>TYPE I, GRADE 1, CLASS A |  |
| COUPLING NUT  | 303 CRES, ASTM A582                           | PASSIVATE, AMS-QQ-P-35                               |

PART NO. MADP-6138

OUTLINE DRAWING



|  |  |                    |
|--|--|--------------------|
|  <b>MICRO-MODE PRODUCTS, INC.</b><br><i>The Reliable Connection to the Future</i> | El Cajon, CA 92020<br>ph 619.449.3844<br>www.micromode.com | CAGE CODE<br>15907 |
|--|--|--------------------|

|                                |                                      |    |                       |               |
|--------------------------------|--------------------------------------|----|-----------------------|---------------|
| ASSY PROCEDURES: N/A           | MMSP FEMALE TO<br>2.4MM MALE ADAPTER |    |                       |               |
| INSERTION/EXTRACTION TOOL: N/A |                                      |    |                       |               |
| SHEET 1 OF 1                   | OL6138 11-19-98                      | PC | PART NO.<br>MADP-6138 | REVISION<br>B |