



Accurate Kinetic Energy  
No.11-3 Jianguo Rd., Tanzi Dist., 42760 Taiwan

All dimensions are millimeters.

CAD:	TCR
Review:	EG
Appr:	JL
Page:	1/4
Date:	August 01,2022

**Specification Title:**

**Clock Oscillator  
Automotive Grade  
2.5 x 2.0 millimeter Surface Mount  
General Product Specification**

**AEC-Q200 Qualified  
IATF 16949 Certified**

**Part Number:**

**S2 Auto Series**

**Electrical Specifications:**

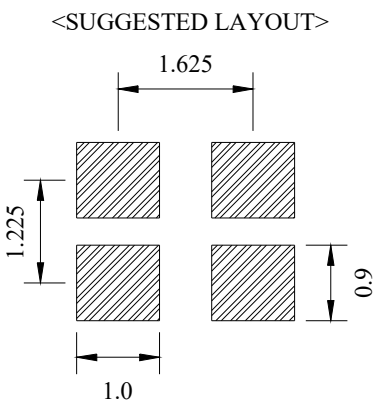
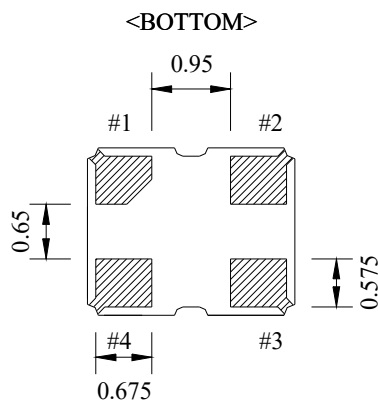
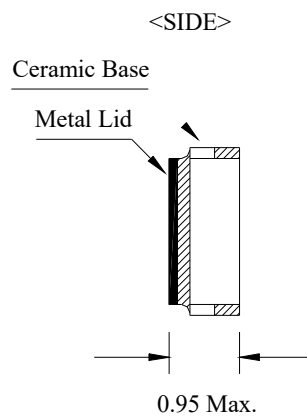
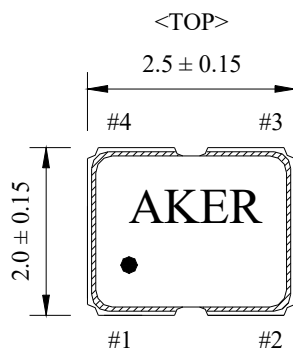
Frequency Range	2.000~50.000	2.000~50.000	2.000~50.000	2.000~50.000	MHz	
Frequency Stability	±25 ~ ±100				ppm	
Aging per Year	±3				ppm Max.	
Operating Temperature Range	Standard	-40 ~ +85			°C	
	Option	-40 ~ +105				
	Option	-40 ~ +125				
Storage Temperature Range	-55 ~ +150					
Supply Voltage	1.8 ± 5%	2.5 ± 5%	3.3 ± 10%	1.62 ~ 3.63	VDD	
Input Current	2.000 to 9.999MHz	3	6	7	mA Max.	
	10.000 to 19.999MHz	5	7	7		
	20.000 to 31.999MHz	5	8	12		12
	32.000 to 50.000MHz	10	20	20		20
Output Voltage	Logic High (Voh)	90%			VDD Min.	
	Logic Low (Vol)	10%			VDD Max.	
Output Symmetry (Duty Cycle)	Standard	40 ~ 60 ( at 50% VDD)			%	
	Tight	45 ~ 55 ( at 50% VDD)				
Output Level	CMOS					
Output Load	15				pF Max.	
Rise and Fall Time	2.000 to 9.999MHz	5	7	6	ns Max.	
	10.000 to 19.999MHz	5	7	6		7
	20.000 to 31.999MHz	5	6	5		6
	32.000 to 50.000MHz	5	6	5		6
Phase Jitter (12 KHz to 20 MHz)	1				ps Max. RMS	
Enable-Disable Function	Tri-State					
Start Up Time	10				ms Max.	

Temperature stability is Inclusive of all conditions:

Calibration Tolerance at +25°C, frequency stability over the operating temperature range, supply voltage change, output load change, shock, vibration, and 1st year aging at +25°C.

<b>RoHS Compliant</b> <b>Pb - Lead Free</b> <b>AEC-Q200 Qualified</b> <b>IATF 16949 Certified</b>	Ltr	Revisions	Date	Appr

## Mechanical Outline and Solder Pad Layout:



Pin Connection	
PIN No.	Connection
#1	Enable/Disable
#2	GND
#3	Output
#4	VDD

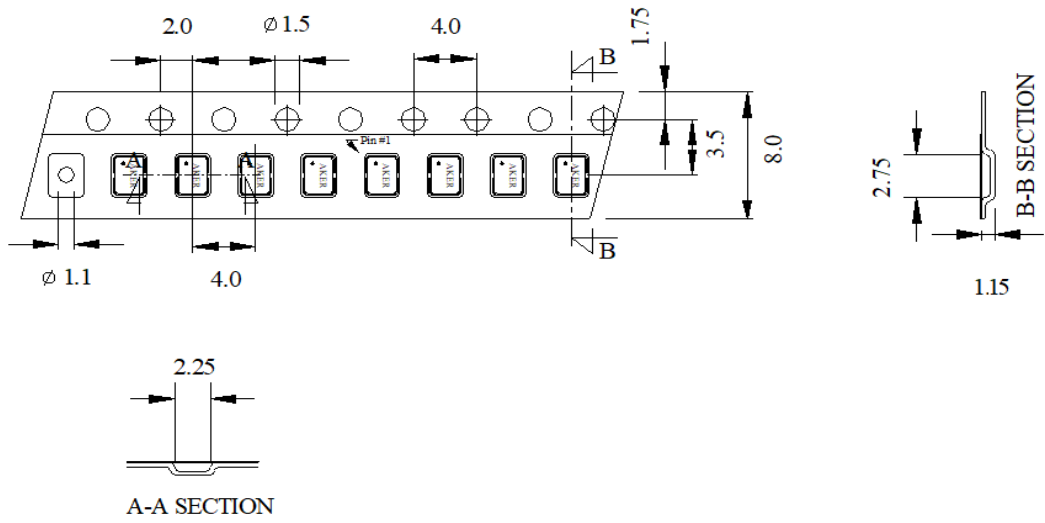
Enable/Disable Function	
PIN #1	PIN #3
HIGH or OPEN	Operating
LOW	High Impedance

**Package is Seam Sealed Ceramic-Metal.**

**Terminator Pads are Ni/Au.**

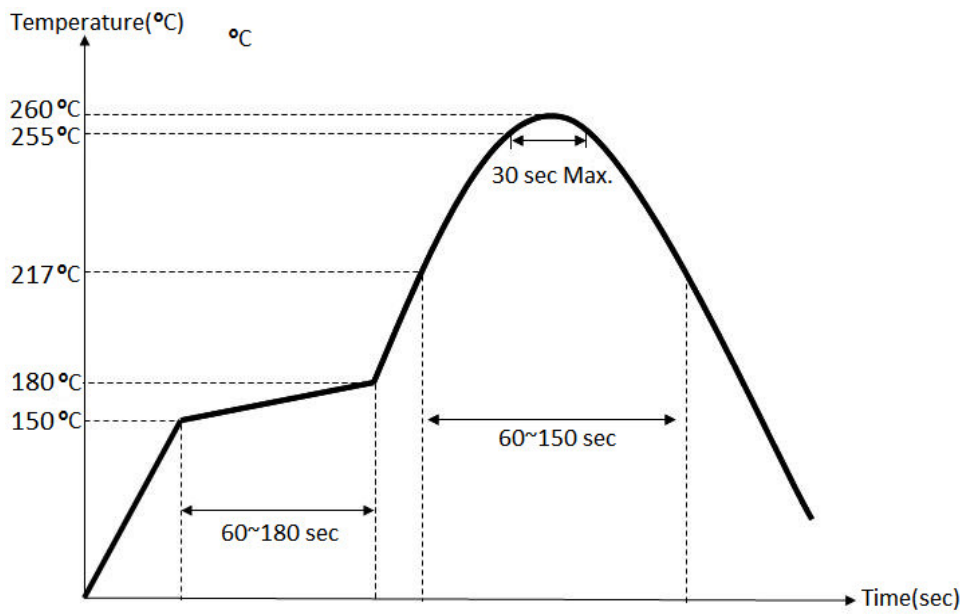
**Dimensions are millimeters.**

### Carrier Tape Dimensions:



Dimensions are millimeters.

### Solder Reflow Characteristics:



### How to build a Part Number:

Series	S	Parameter
Package	2	2.0 x 2.5 mm
Supply Voltage	33	+3.3 VDD ± 10%
	25	+2.5 VDD ± 5%
	18	+1.8 VDD ± 5%
	M	+1.62 ~ +3.63 VDD
Temperature Stability	10	±100 ppm
	05	±50 ppm
	03	±30 ppm
	025	±25 ppm
Duty Cycle	See Notes	40%~60%
	T	45%~55%
Frequency	2.000~50.000	MHz
AECQ-200	A	Automotive
Temperature Range	X	-40 ~ +85 °C
	X1	-40 ~ +125 °C
	X2	-40 ~ +105 °C
Packaging	M	250pcs Reel
	R	1000pcs Reel
	R3	3000pcs Reel

### Part Number Example:

S23305T-50.000-A-X-R

S2: 2.0 x 2.5 mm SMD Package

33: +3.3±10% VDD Supply Voltage

05: ±50 ppm Temperature Stability

T: 45%~55% Tight Symmetry

50.000 MHz Nominal Frequency

A: Automotive Grade

X: -40 ~ + 85°C Temperature Range

R: Tape and Reel Packaging - 1000pcs Reel

### Notes:

- 1- Standard Duty Cycle and Temperature Range do not need to be included in Part Number description.
- 2- Product is shipped in Tape and Reel configuration.
- 3- Quantities less than 250pcs are shipped in tape only.
- 4- Specification subject to change without notice.