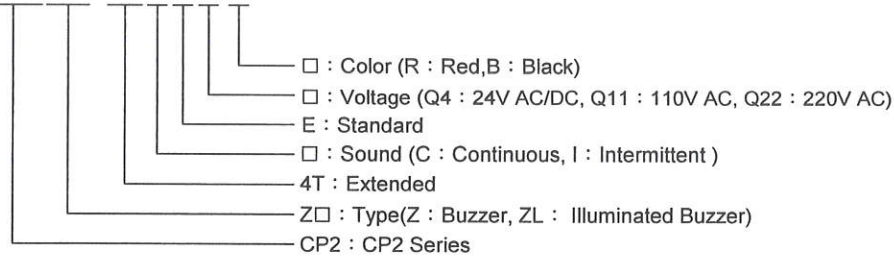


TYPE No. : CP2Z□-4T□E□□



**Product Specifications**

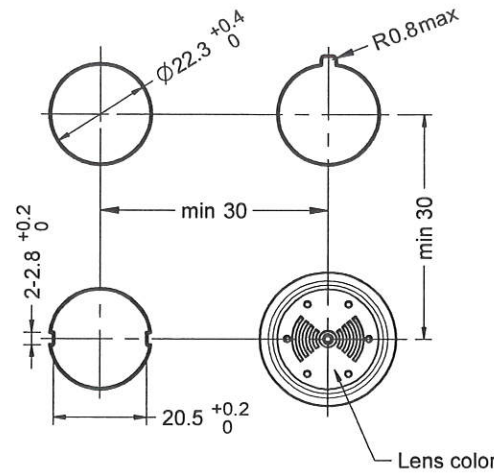
Degree of protection : IP40 (above panel)  
IP20 (under panel)  
Storage temperature : -40°C to +85°C  
Operating temperature : -25°C to +55°C  
Operating humidity : 45% to 85% RH  
Hazardous substances : Corresponding RoHS and REACH  
Wire diameter : 16~26 AWG, 0.2~1.5mm<sup>2</sup>  
Sound Pressure : Distance 300mm, 70db  
Panel thickness : 0.8mm~12mm

ORDER No. : CP2Z□-4T□E□□

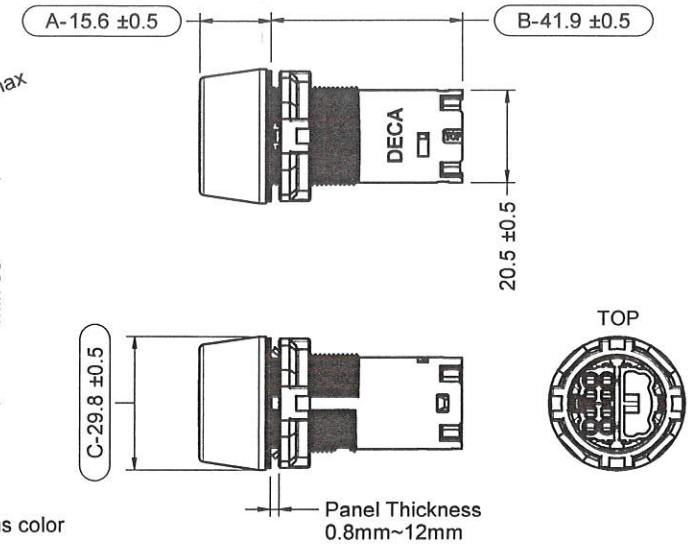
**Buzzer Ratings**

Type	Voltage	Current	Sound Pressure
CP2Z-T4CEQ4B	AC/DC 24V	23mA	70db
CP2Z-T4IEQ4B	AC/DC 24V	23mA	70db
CP2ZL-T4CEQ4R	AC/DC 24V	23mA	70db
CP2ZL-T4IEQ4R	AC/DC 24V	23mA	70db
CP2Z-T4CEQ11B	AC 110V	11mA	70db
CP2Z-T4IEQ11B	AC 110V	11mA	70db
CP2ZL-T4CEQ11R	AC 110V	11mA	70db
CP2ZL-T4IEQ11R	AC 110V	11mA	70db
CP2Z-T4CEQ22B	AC 220V	10mA	70db
CP2Z-T4IEQ22B	AC 220V	10mA	70db
CP2ZL-T4CEQ22R	AC 220V	10mA	70db
CP2ZL-T4IEQ22R	AC 220V	10mA	70db

**Hole Dia**



**Buzzer**



<b>DECA</b> SwitchLab Inc.		PART NAME	UNIT	SCALE
		CP2 Buzzer	MM	0.6 : 1
DESIGN	CHECK	APPROVE	DRAWING NO.	SHEET
DATE	DATE	DATE	CP2Z□-4T□E□□	1 / 1
2020/11/30	2020/11/30	2020/11/30		