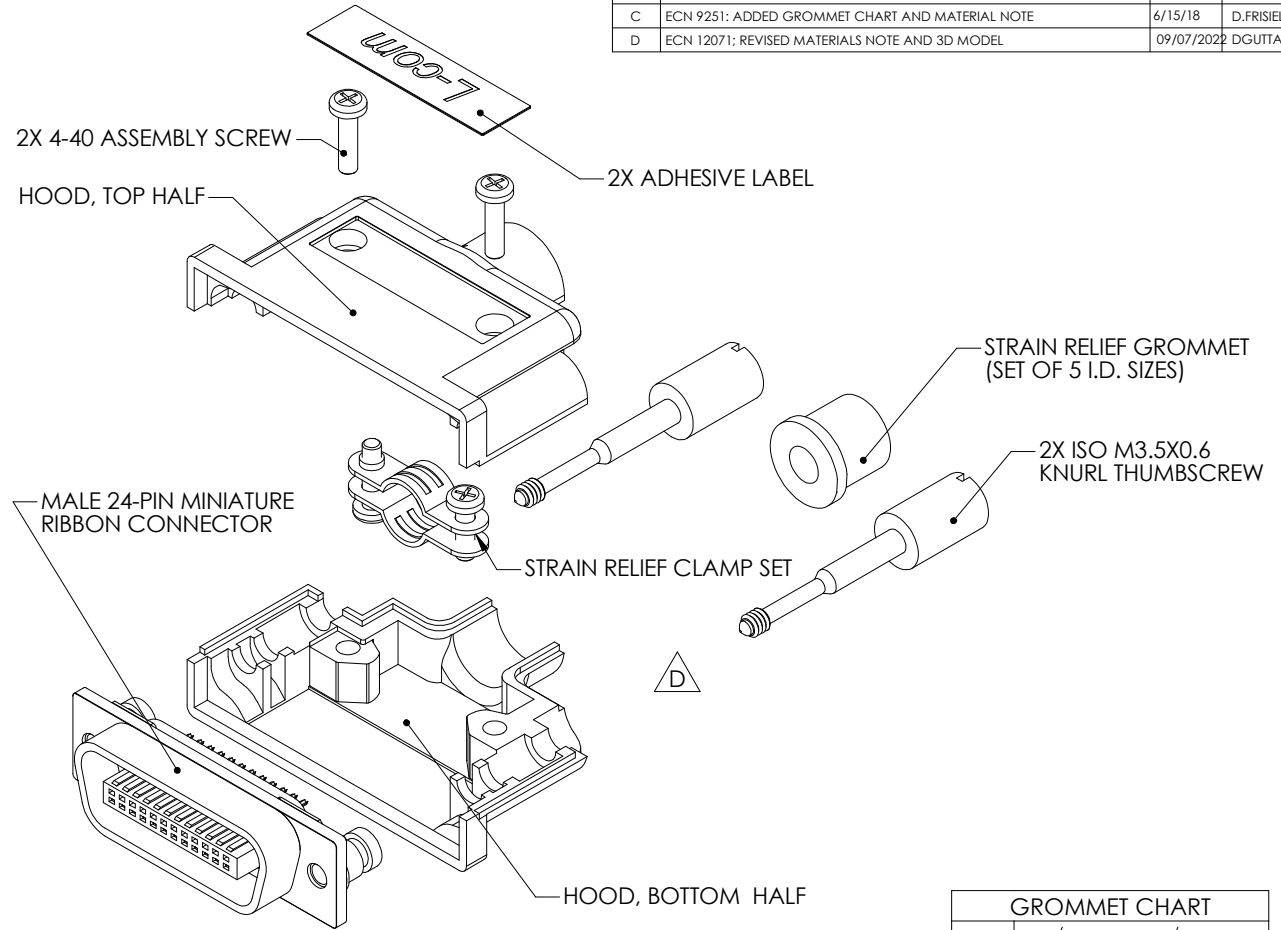


THE INFORMATION CONTAINED IN THIS DRAWING IS THE SOLE PROPERTY OF L-COM, INC. ANY REPRODUCTION IN PART OR WHOLE WITHOUT THE WRITTEN PERMISSION OF L-COM, INC. IS PROHIBITED.

REVISIONS			
REV	DESCRIPTION	DATE	APPROVED
A	RELEASED FOR PRODUCTION	10/31/01	TJC
B	ECN 3207: UPDATE DWG FORMAT	3/7/08	D.GRIFFIN
C	ECN 9251: ADDED GROMMET CHART AND MATERIAL NOTE	6/15/18	D.FRISIELLO
D	ECN 12071: REVISED MATERIALS NOTE AND 3D MODEL	09/07/2022	DGUTTADAURO



NOTES:

D MATERIALS AND FINISHES:


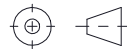
HOOD HALVES AND CONNECTOR FLANGE/GUARD:
ZINC ALLOY, NICKEL PLATED
THUMBSCREWS: STEEL, ZINC PLATED, BLACK
ASSEMBLY SCREWS AND STRAIN RELIEF CLAMP SET: STEEL, NICKEL PLATED
CONNECTOR INSULATOR: POLYBUTYLENE TEREHPHTHALATE, BLUE (94V-0)
CONNECTOR CONTACTS: COPPER ALLOY, 30u" GOLD PLATED IN CONTACT AREA, TIN PLATED IN SOLDER TAIL.
CONNECTOR BUSHINGS: STEEL, NICKEL PLATED, TAPPED ISO M3.X0.6
GROMMET: PVC BLACK (SET OF 5 I.D. SIZES)
LABELS: SYNHTIC PAPER ART PAPER BLACK

TINNED SOLDER-CUP CONNECTOR TERMINALS ACCEPT 22AWG SOLID AND 24AWG STRANDED WIRE CONDUCTORS.

ASSEMBLED CONNECTOR MATES WITH ALL L-COM IEEE-488 FEMALE CONNECTORS AND MOST SIMILAR RECEPTACLES

PACKAGING:
ASSEMBLY SHALL BE INDIVIDUALLY PACKAGED IN ACCORDANCE WITH L-COM SPECIFICATION PS-0031.

GROMMET CHART	
A	Ø 6.0mm [Ø .236]
B	Ø 7.0mm [Ø .276]
C	Ø 8.0mm [Ø .315]
D	Ø 9.0mm [Ø .354]
E	Ø 10.0mm [Ø .394]

UNLESS OTHERWISE SPECIFIED, DIMENSIONS ARE IN INCHES [mm] OVERALL CABLE LENGTH TOLERANCE: ≤12 [305] = +1 [25] / -0 >12 [305] ≤60 [1524] = +2 [51] / -0 >60 [1524] ≤120 [3048] = +4 [102] / -0 >120 [3048] ≤300 [7620] = +6 [152] / -0 >300 [7620] = +5% / -0 ALL OTHER DIMENSIONAL TOLERANCES: .X = ± .2 [5] FRACTIONS ± 1/32 .XX = ± .02 [.5] ANGLES ± 1° .XXX = ± .005 [.13]	APPROVALS	DATE	 50 High Street, West Mill, North Andover, MA 01845 USA. Phone: 1.800.341.5266 1.978.682.6936		
	DRAWN BY TJC	10/29/01		CATEGORY IEEE-488	
	CHECKED BY RC	10/29/01			
	APPROVED BY DFP	10/29/01			
THIRD-ANGLE PROJECTION	CONFIGURATION DETAILS OF UNDIMENSIONED FEATURES MAY VARY	PRODUCT DESCRIPTION CONNECTOR KIT GPIB STRT MALE			
	COLOR VARIATIONS MAY OCCUR	SIZE A	CAGE CODE 43321	DWG. NO. CB24SM	REV. D
SCALE: NONE		CAD FILE: CB24SM.SLDDRW		SHEET 1 OF 1	