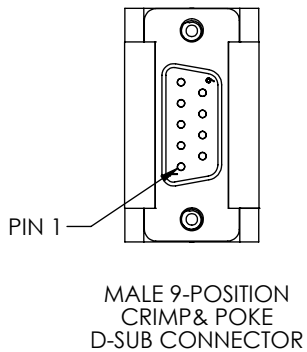
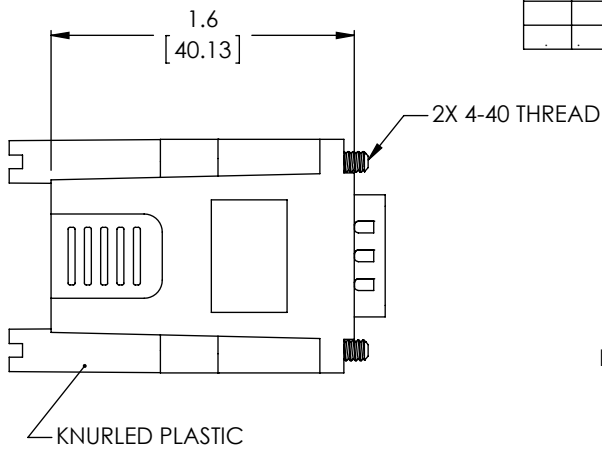
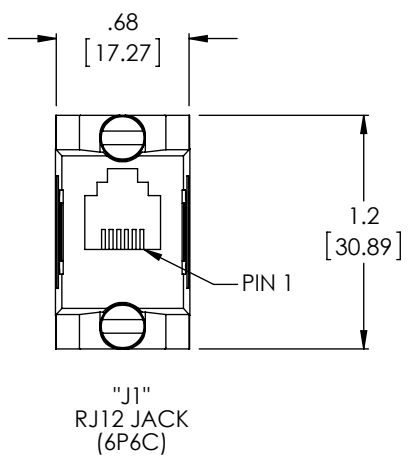


THE INFORMATION CONTAINED IN THIS DRAWING IS THE SOLE PROPERTY OF L-COM, INC. ANY REPRODUCTION IN PART OR WHOLE WITHOUT THE WRITTEN PERMISSION OF L-COM, INC. IS PROHIBITED.

REVISIONS			
REV	DESCRIPTION	DATE	APPROVED
A	DRAWING REPLACES REC096M-OD1	10/21/14	D. CASTRO



WIRE MAP	
"J1"	COLOR
1	WHITE OR GRAY
2	BLACK
3	RED
4	GREEN
5	YELLOW
6	BLUE

SPECIFICATIONS
MOLDED PARTS ARE UL94V-0 RATED

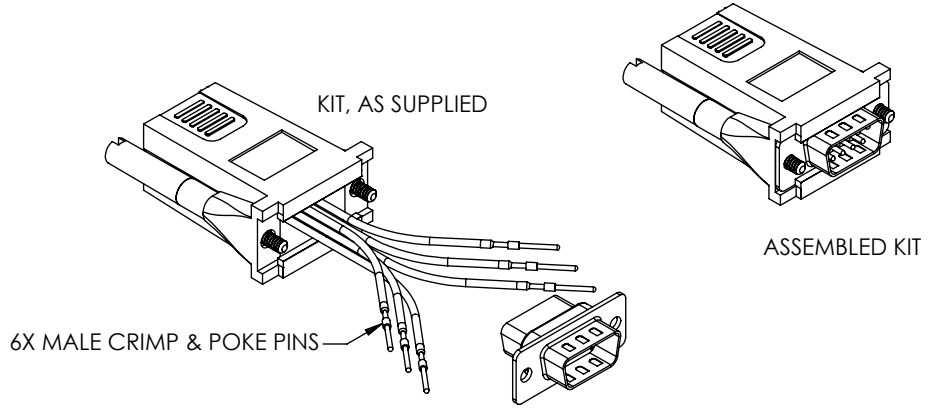
MATERIAL:
HOUSING: MOLDED ABS
COLOR: DARK GRAY

D-SUB
INSULATOR: UL94V-0 THERMOPLASTIC
CONTACTS: GOLD PLATED
SHELL: TIN FINISH

RJ45
CONTACTS: GOLD PLATED, 50 μINCHES

- NOTE:
- ADAPTOR KIT MAY BE PROGRAMMED AS NEEDED BY INSERTING AND SEATING EACH MALE PIN IN THE DESIRED POSITION IN THE D-SUB SHELL.
 - ADAPTOR SHALL BE INDIVIDUALLY PACKAGED IN ACCORDANCE WITH L-COM SPECIFICATION PS-0031.

REGULATORY COMPLIANCE:
CE2011/65/EU(RoHS DIRECTIVE)



UNLESS OTHERWISE SPECIFIED, DIMENSIONS ARE IN INCHES [mm] OVERALL CABLE LENGTH TOLERANCE: $\le 12 [305] = +1 [25] / -0$ $> 12 [305] \le 60 [1524] = +2 [51] / -0$ $> 60 [1524] \le 120 [3048] = +4 [102] / -0$ $> 120 [3048] \le 300 [7620] = +6 [152] / -0$ $> 300 [7620] = +5\% / -0\%$	APPROVALS	DATE		45 BEECHWOOD DRIVE NORTH ANDOVER, MA 01845
	DRAWN BY TJC	12/14/01		
ALL OTHER DIMENSIONAL TOLERANCES: .X = ± .2 [5.08] .XX = ± .02 [5.1] .XXX = ± .005 [1.3]	CHECKED BY DFP	12/14/01	CATEGORY TELECOM/MODULAR	
	APPROVED BY CM	12/14/01	PRODUCT DESCRIPTION ADAPTOR KIT, DB9M/RJ12 JACK	
PROJECTION 	CONFIGURATION DETAILS OF UNDIMENSIONED FEATURES MAY VARY	COLOR VARIATIONS MAY OCCUR	SIZE A	FSCM NO. 43321
			DWG. NO. REC096M	REV. A
			SCALE: NONE	CAD FILE: REC096M.SLDDRW
				SHEET 1 OF 1