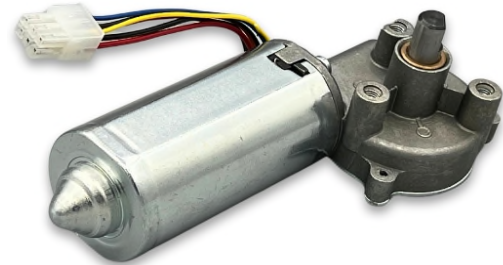




Our Worm Gear Motors are an excellent automation solution providing right angle output with self-braking technology. They are equipped to handle varying loads and are best for intermittent duty operation. With endless performance combinations, we have the gear motor for your next application.

Contact Us for alternative solutions!

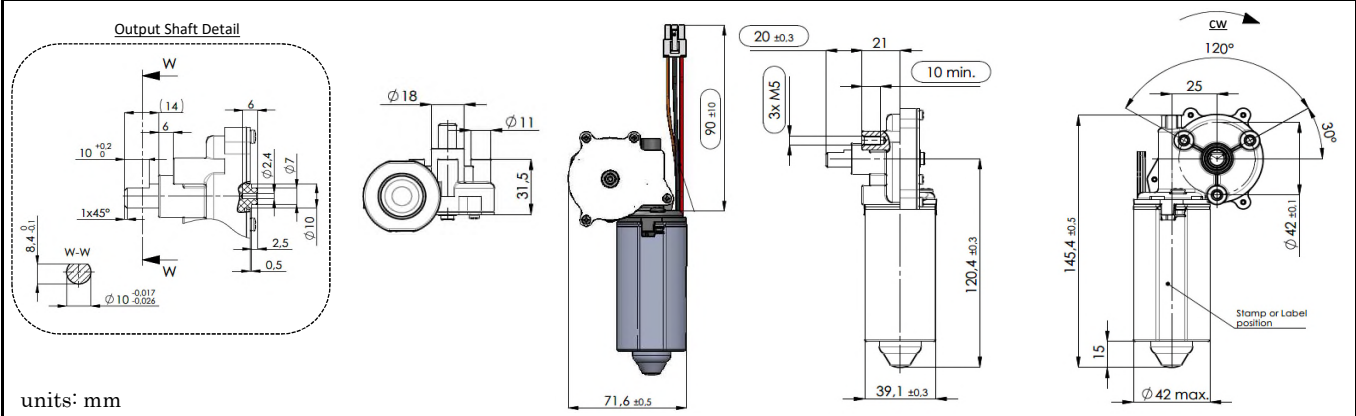


Specifications

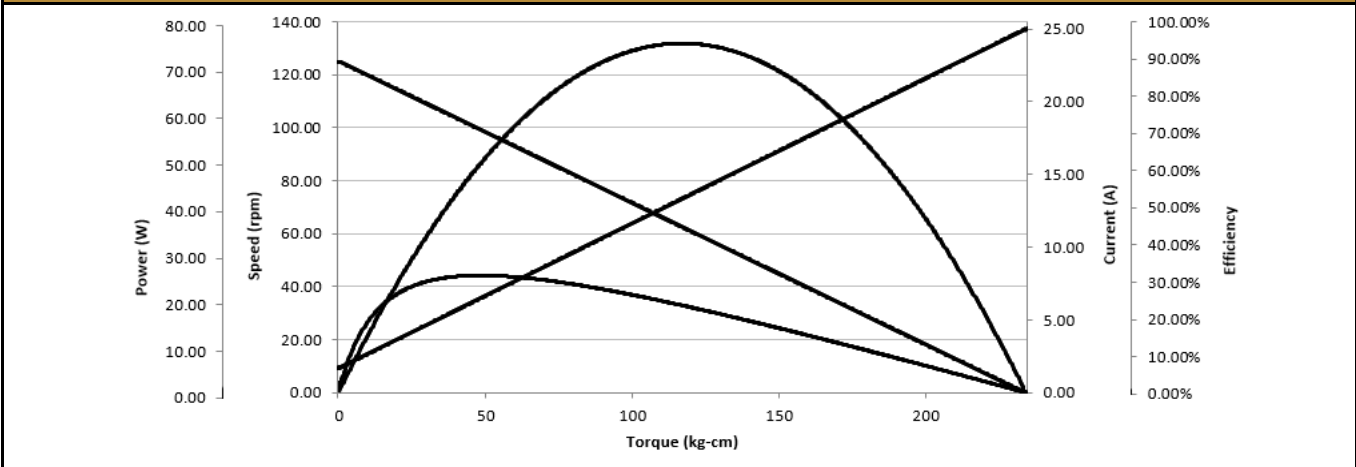
Gearhead Type:	Worm - Right side	No-Load Speed:	125 rpm (+/- 10%)
Motor Type:	Carbon - Brushed	No-Load Current:	< 2 A
Rated Voltage:	24V DC	Reduction Ratio:	62:1
Rated Speed:	99 rpm	Max. Power:	75 W
Rated Torque:	48 kg.cm	Termination Style:	Con.: Molex 39-01-2060

* Gearbox limitations are set at 150 kg.cm, operating past this torque limit may create premature failure.

Dimensions

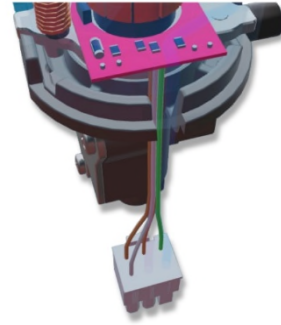


Performance Curve





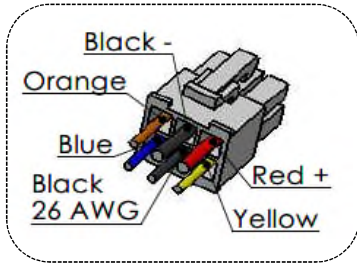
This gear motor is equipped with one of our magnetic encoders to provide exceptional feedback and control.



Specifications

Type:	Magnetic	Number of Wires:	6
Channel(s):	2	Connector Type:	Molex 39-01-2060
Pulses per Revolution:	5 PPR	Supply Voltage:	3.8 ~ 20 VDC

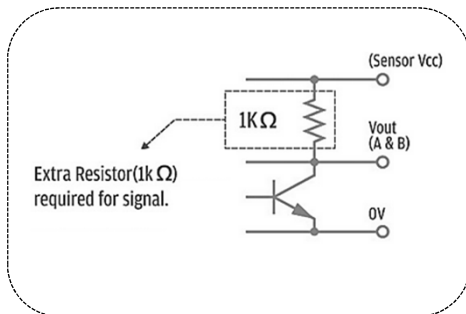
Dimensions / Connections



Encoder Connections		
1	Yellow	Hall Sensor B – V Out
2	Black	Hall Sensor GRND
3	Blue	Hall Sensor A – V Out
4	Red	(+) Motor
5	Black	(-) Motor
6	Orange	Hall Sensor Vcc

Electrical Characteristics

Output Circuit



Output Wave

