

**Ratings**

Voltage: 300 V  
 Temperature  
 Static: -40 to 105 °C  
 Dynamic: -20 to 105 °C  
 Flammability: VW-1  
 Water resistant: 75 °C  
 Oil resistant: 60 °C (jacket)  
 ≥50% elongation and tensile strength after aging  
 UV resistance: jacket, 720 hours xenon or carbon arc exposure  
 ≥80% tensile strength and elongation after aging

**Conductor**

Conductor count: 4  
 Gauge: 16 AWG 1.31 mm<sup>2</sup>  
 Material: tinned copper strands  
 Strand size: Ø 0.16 mm x 65  
 Resistance at 20 °C: 14.6 Ω /km Max

**Insulator**

Material: PVC  
 Color: red, black, white, green  
 Diameter: Ø 2.4 ±0.10 mm  
 Nominal thickness: 0.43 mm  
 Resistance at 20 °C: 10 MΩ /km Min

**Wrap**

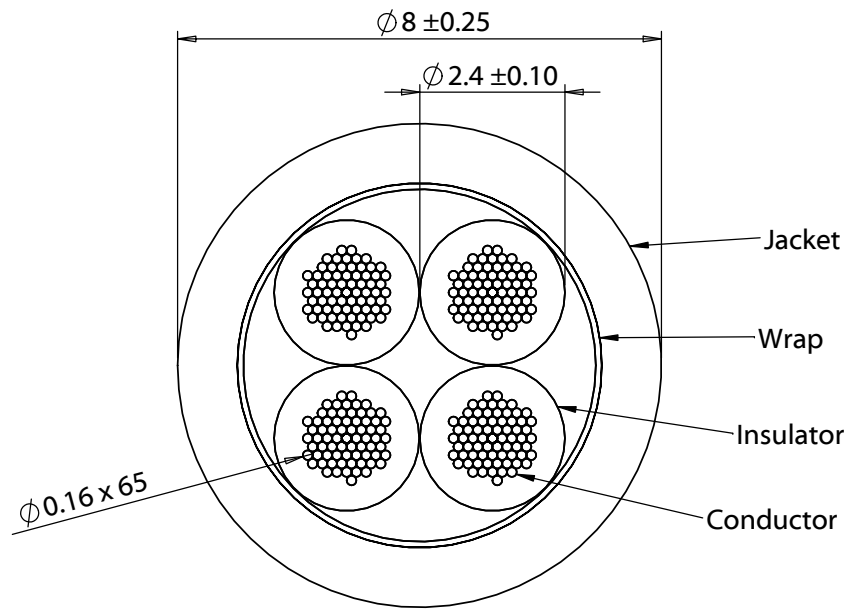
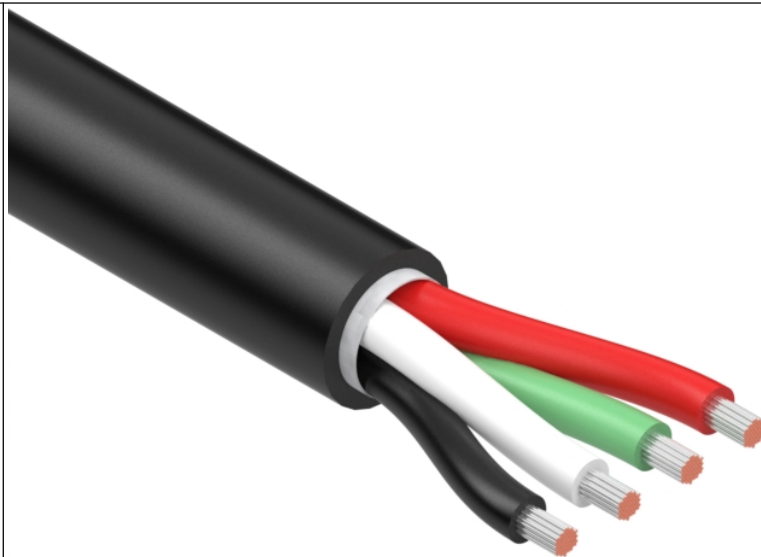
Material: Cotton paper

**Outer jacket**

Material: PVC, 80A  
 Color: Black  
 Diameter: Ø 8 ±0.25 mm  
 Nominal thickness: 0.93 mm

**Wire marking:** E339579 UL AWM STYLE 20387 16 AWG 105°C 300V VW-1 60°C OIL RESISTANT UV RESISTANT TENSILITY

**Use:** External wiring



Revision:	Date:	Description:	Prepared:	Notes: RoHS compliant	<h1>TENSILITY</h1> <p>tel 1.541.323.3228 800 877.670.7118                  fax 1.541.323.4202 web tensility.com</p>
A	11/01/2023	Initial release	Verified:		
			Dimensions are in millimeters. Tolerances: X: ± 0.5 mm X.X: ± 0.3 mm X.XX: ± 0.05 mm	Description:	Size: A
				Wire, 4C TS, 16 AWG, UL20387, 300V, 105C, 60C oil, UV, 8.0 mm, VW-1, PVC, 80A, black	Part number: 30-03382
				Scale: 8:1	Sheet 1 of 1