

**Ratings**

Voltage: 600 V  
 Temperature: -40~105 °C  
 Flammability: FT2

**Conductor**

Conductor count: 4  
 Gauge: 22 AWG 0.34 mm<sup>2</sup>  
 Material: tinned copper strands  
 Strand size:  $\phi 0.16 \times 17$   
 Resistance at 20 °C: 59.4  $\Omega$  /km max

**Insulator**

Material: mPPE  
 Color: red, black, white, green  
 Diameter:  $\phi 1.3 \pm 0.10$  mm  
 Average thickness: 0.25 mm  
 Resistance at 20 °C: 100 M $\Omega$  /km min

**Wrap**

Material: cotton paper

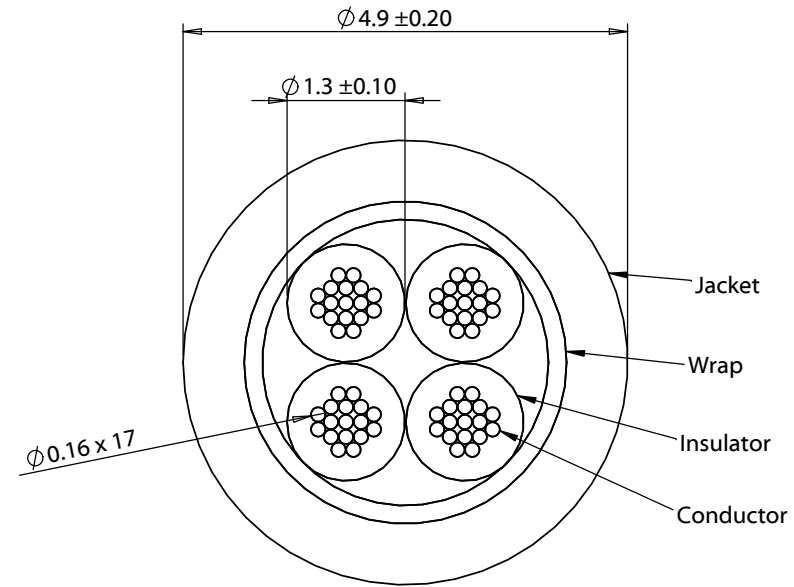
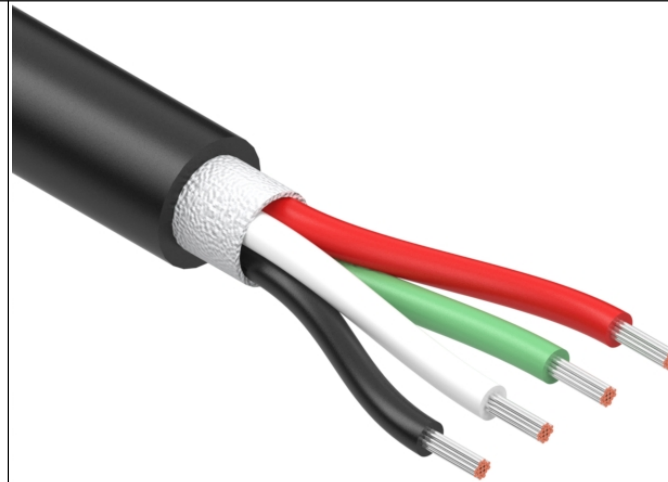
**Outer jacket**

Material: mPPE, 85A  
 Color: black  
 Diameter:  $\phi 4.9 \pm 0.20$  mm  
 Average thickness: 0.83 mm

**Wire marking:** E339579 UL AWM STYLE 21509 22 AWG 105°C  
 600V --- cUL AWM I A 105°C 600V FT2 LF TENSILITY

**Bend radius**

Minimum: 6 times diameter (29.4 mm)



Revision:	Date:	Description:	Prepared:	Notes: RoHS compliant Phthalate and halogen free	<h1>TENSILITY</h1> <p>tel 1.541.323.3228 800 877.670.7118                  fax 1.541.323.4202 web tensility.com</p>	
A	10/31/2023	Initial release	Verified:			
			Dimensions are in millimeters. Tolerances: X: $\pm 0.5$ mm X.X: $\pm 0.3$ mm X.XX: $\pm 0.05$ mm	Description:	Size:	Part number:
				Wire, 4C TS, 22 AWG, 21509, 600V, 105C, 4.9 mm, FT2, mPPE	A	30-03374
				Scale: 12:1		Sheet 1 of 1

5

4

3

2

1