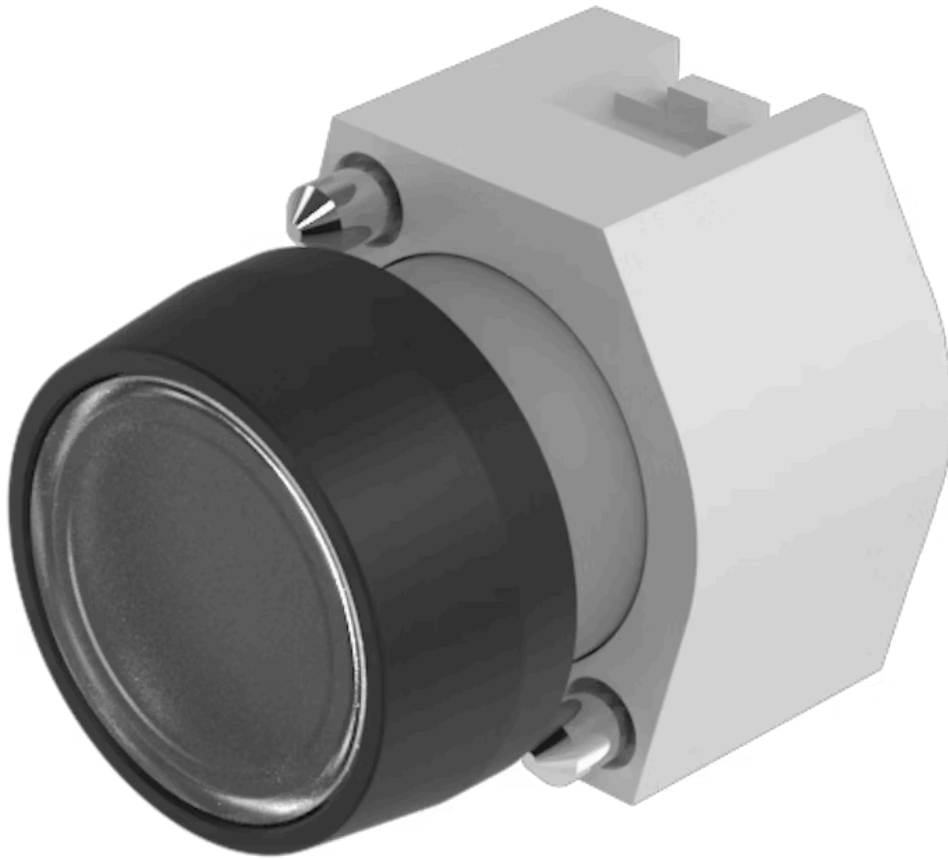


Actuator

704.009.7

Distribution by
DigiKey

DigiKey



<https://digikey.eao.com/p/704.009.7>

Your product:



704.009.7 Actuator

FRONT

Front dimension:	Ø 29 mm
Front form:	round
Front bezel material:	Plastic
Front bezel colour:	Black

MOUNTING

Design:	raised
----------------	--------

OPERATING-/INDICATION PART

Lens shape:	flush
Lens illumination:	non illuminative
Lens material:	Plastic
Lens optics:	transparent
Lens colour:	Colourless

ELECTRICAL CHARACTERISTICS

Standards:	The switches comply with the "Standards for low-voltage switching devices" DIN EN 60947-1
-------------------	---

MECHANICAL CHARACTERISTIC

Weight:	0.04 kg
Operating Travel:	ca. 5.8 mm ± 0.2 mm
Operating force:	8 N

Switching action: Momentary
Mechanical lifetime: ≤3 Mio. cycles of operation

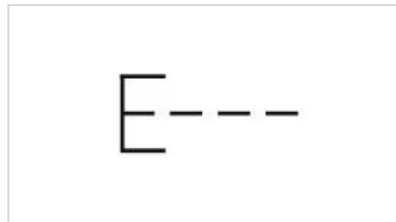
AMBIENT CONDITION

Operating temperature: - 40 °C ... + 55 °C
Storage temperature: - 40 °C ... + 85 °C
IP Protection: IP65 front side

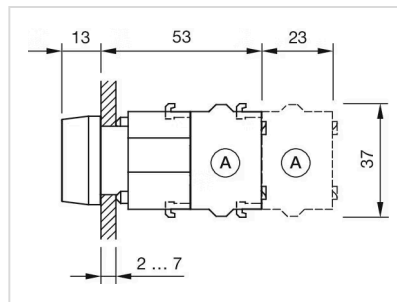
OTHER

max. number of switching elements: 3
Housing colour: Grey
Housing material: Plastic
Hints: Frontring with protective cover to be mounted with a torque of 0.4 Nm onto actuator,Max. 3 switching elements can be clipped on
Short Description: Actuator, Ø 29 mm, flush, non illuminative, Colourless, Plastic, transparent, round, Black, Plastic, Momentary

Wiring diagrams:



Dimension drawings:



Mounting cut-outs:

