



5.65 inch E-paper Display Series



GDEP0565D90

Dalian Good Display Co., Ltd.

Product Specifications



Customer	Standard
Description	5.65" E-PAPER DISPLAY
Model Name	GDEP0565D90
Date	2019/11/19
Revision	1.2

	Design Engineering		
	Approval	Check	Design
			

Zhongnan Building, No.18, Zhonghua West ST,Ganjingzi DST,Dalian,CHINA

Tel: +86-411-84619565

Email: info@good-display.com

Website: www.good-display.com

CONTENTS

1. Over View.....	5
2. Features	5
3. Mechanical Specification.....	6
4. Mechanical Drawing of EPD Module.....	7
5. Input/output Pin Assignment.....	8
6. Reference Circuit	10
7. Matched Development Kit	11
8. Command Table.....	12
9. Electrical Characteristics	23
10. Optical Specification.....	29
11. Handling, Safety, and Environment Requirements and Remark	30
12. Block Diagram.....	32
13. Packaging.....	33
14. Precautions.....	34

Revision History

Rev.	Issued Date	Revised Contents
1.0	2019.10.16	Tentative
1.1	2019.10.30	Preliminary
1.2	2019.11.19	Update Page 17: Remove R65H (DAM) SPI Flash control

GOOD DISPLAY

1. General Description

GDEP0565D90 is a reflective electrophoretic E Ink technology display module on an active matrix TFT substrate. The diagonal length of the active area is 5.65" and contains 600 x 448 pixels. The panel is capable of displaying 7-colors of black, white, red, yellow, blue, green, and orange images depending on the associated lookup table used. The circuitry on the panel includes an integrated gate and source driver, timing controller, oscillator, DC-DC boost circuit, and memory to store the frame buffer and lookup tables, and additional circuitry to control VCOM and BORDER settings.

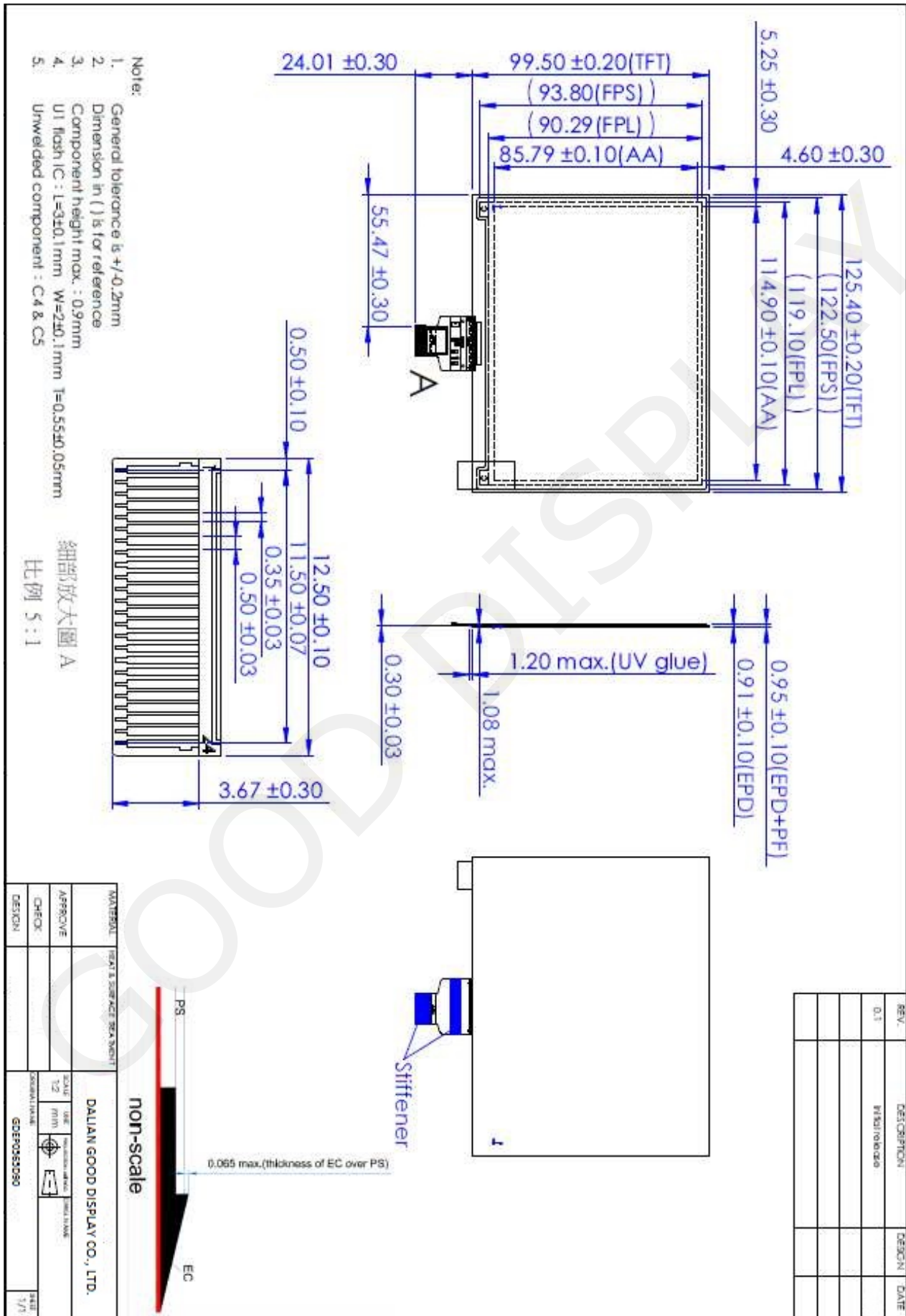
2. Features

- 7-color ACeP display
- High contrast TFT electrophoretic
- 600 x 448 display
- High reflectance
- Ultra wide viewing angle
- Ultra low power consumption
- Pure reflective mode
- Bi-stable
- Low current sleep mode
- On chip display RAM
- Serial Peripheral Interface
- External SPI flash/eeprom for waveform
- On-chip oscillator
- On-chip booster and regulator control for generating Vcom, Gate and Source driving voltage
- I2C Signal Master Interface to read external temperature sensor
- Operational temperature range (15 ~ 35°C)

3. Mechanical Specifications

Parameter	Specifications	Unit	Remark
Screen Size	5.65"	Inch	-
Display Resolution	600 (H) × 448 (V)	Pixel	132 dpi
Active Area	114.9 (H) × 85.8 (V)	mm	-
Pixel Pitch	191.5 (H) × 191.5 (V)	um	-
Pixel Configuration	Square		-
Outline Dimension	125.4 (H) × 99.5 (V) × 0.91 (D)	mm	Without protective film
Weight	TBD	g	-
Number of Colors	Black, White, Red, Yellow, Blue, Green and Orange		
Display operating mode	Reflective mode		

4. Mechanical Drawing of EPD module



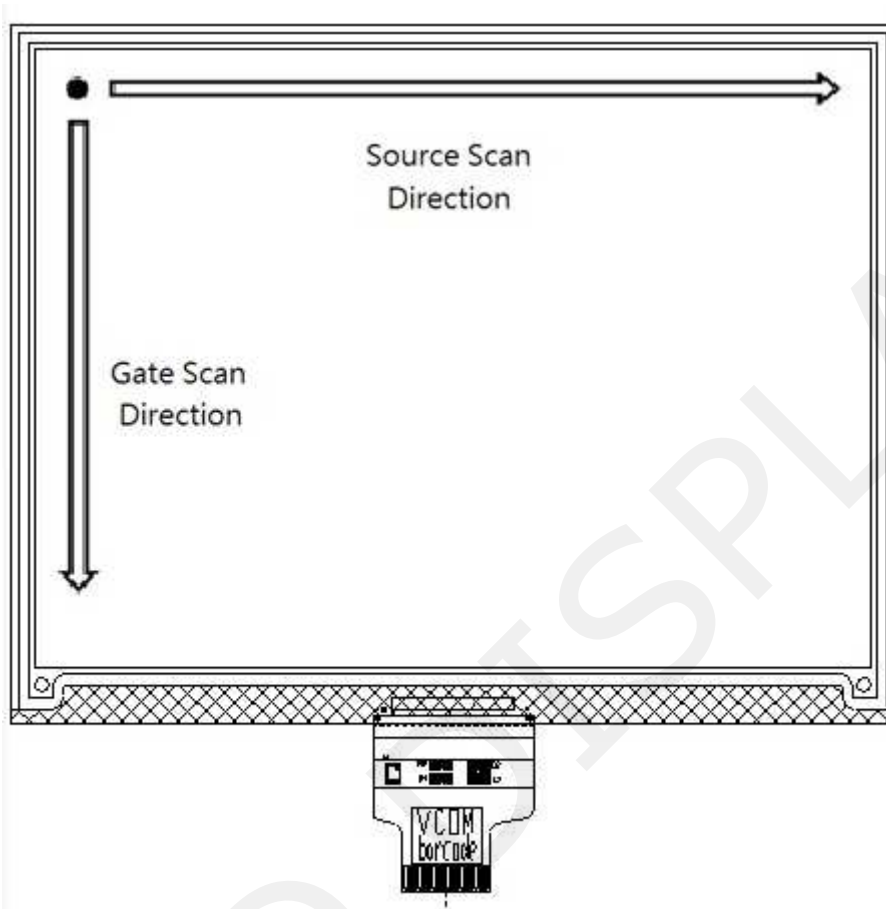
5. Input/Output Terminals

5.1 Connector type: AYF532435

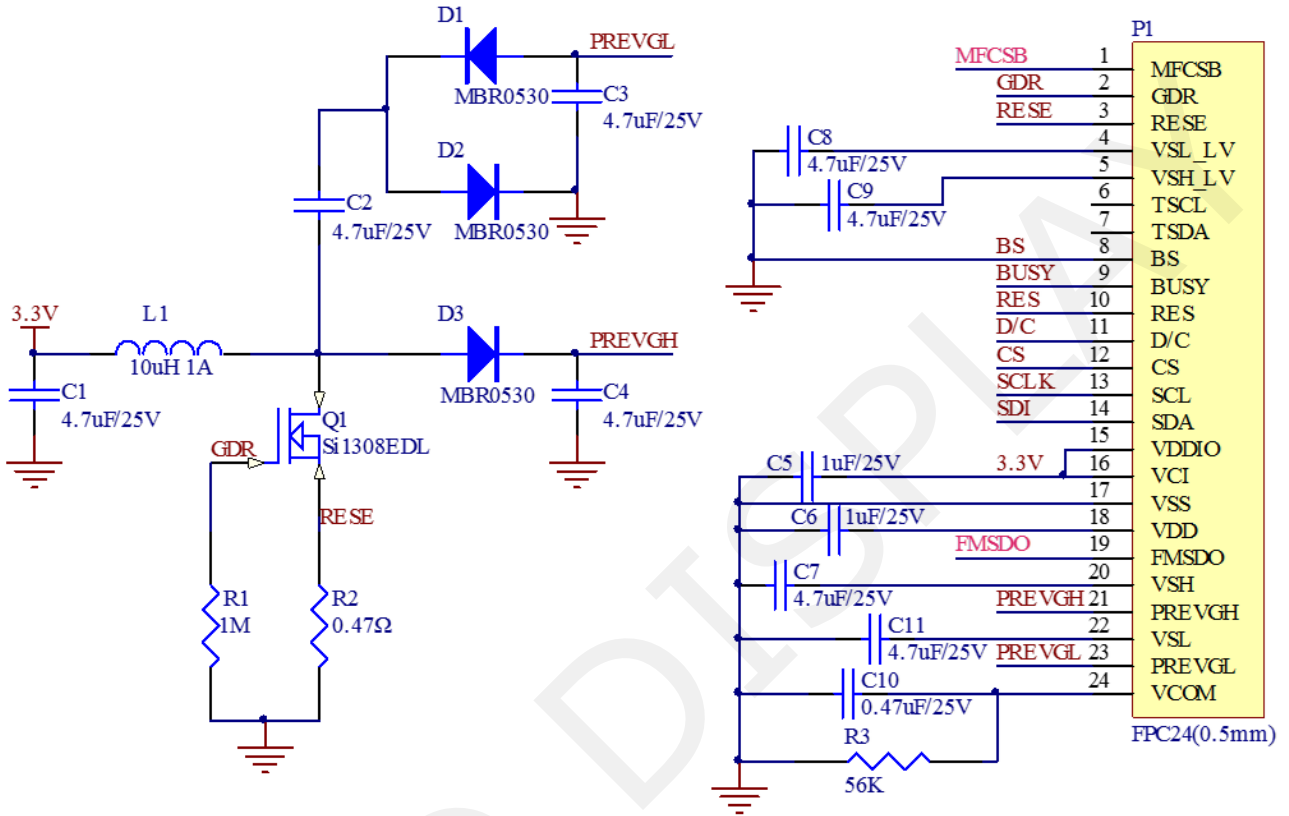
Pin Assignment

Pin #	Type	Single	Description	Remark
1	I	MFCSSB	MCU to flash/EEPROM chip select	
2	O	GDR	N-Channel MOSFET Gate Drive Control	
3	O	RESE	Current Sense Input for the Control Loop	
4	P	VSL_LV	Negative source driver voltage (low voltage)	
5	P	VSH_LV	Positive source driver voltage (low voltage)	
6	O	TSCL	I2C Interface to digital temperature sensor Clock pin	
7	I/O	TSDA	I2C Interface to digital temperature sensor Data pin	
8	I	BS1	Bus selection pin; L: 4-wire IF. H: 3-wire IF. (Default)	
9	O	BUSY	Busy state output pin	
10	I	RES#	Reset	
11	I	D/C #	Data /Command control pin	
12	I	CS #	Chip Select input pin	
13	O	SCL	Serial clock pin (SPI)	
14	I/O	SDA	Serial data pin (SPI)	
15	P	VDDIO	Power for interface logic pins	
16	P	VCI	Power Supply pin for the chip	
17	P	VSS	Ground	
18	P	VDD	Core logic power pin	
19	O	FMSDO	Flash/EEPROM to MCU data output	Cannot share pin with SDA of SPI.
20	P	VSH	Positive Source driving voltage	
21	P	VGH	Power Supply pin for VGH , VSH and VSH_LV	
22	P	VSL	Negative Source driving voltage	
23	P	VGL	Power Supply pin for VCOM, VGL, VSL and VSL_LV	
24	P	VCOM	VCOM driving voltage	

5.2 Panel Scan direction



6. Reference Circuit



7. Matched Development Kit

Our Development Kit designed for SPI E-paper Display aims to help users to learn how to use E-paper Display more easily. It can refresh black-white E-paper Display and three-color (black, white and red/Yellow) Good Display `s E-paper Display. And it is also added the functions of USB serial port, Raspberry Pi and LED indicator light ect.

DESPI Development Kit consists of the development board and the pinboard.

More details about the Development Kit, please click to the following link:

<https://www.good-display.com/product/53/>

GOOD DISPLAY

8. Command Table

8.1 Register Definition

8.1.1 R00H (PSR): Panel setting Register

Action	W/R	C/D	D7	D6	D5	D4	D3	D2	D1	D0
Setting the panel	0	0	0	0	0	0	0	0	0	0
	0	1	1	1	-	-	UD	SHL	SHD_N	RST_N
	0	1	0	0	0	0	1	0	0	0

NOTE: "-" Don't care, can be set to VDD or GND level

UD: 0: Scan down. (Default) First line to Last line: Gn-1→Gn-2→Gn-3→... →G0

1: Scan up. First line to Last line: G0→G1→G2→ →Gn-1

SHL: 0: Shift left. First data to Last data: Sn-1→Sn-2→Sn-3→... →S0

1: Shift right. (Default) First data to Last data: S0→S1→S2→... .. →Sn-1

SHD_N: 0: DC-DC converter will be turned OFF

1: DC-DC converter will be turned ON (Default)

When SHD_N become LOW, charge pump will be turned OFF, register and SRAM data will keep until VDD OFF, and SD output and VCOM will remain previous condition. SD output and Vcom may have two conditions: 0v or floating.

RST_N: 0: The controller is reset. Reset all registers to default value.

1: No effect (Default)

When RST_N become LOW, the driver will be reset, all registers will be reset to their default value. All driver functions will be disabled. SD output and VCOM will be 0V.

This command can be active only when BUSY_N = "1".

8.1.2 R01H (PWR): Power setting Register

Action	W/R	C/D	D7	D6	D5	D4	D3	D2	D1	D0
Selecting Internal/External Power	0	0	0	0	0	0	0	0	0	1
	0	1	-	-	0	0	0	VSH/VSL	VSH_LV/VSL_LV	VDG_EN
	0	1	-	-	-	-	-	-	0	0
	0	1	-	-	-	-	-	-	-	-
	0	1	-	-	-	-	-	-	-	-

NOTE: "-" Don't care, can be set to VDD or GND level

VDS EN: Source power selection (low powers)

0 : External source power from VSH_LV/ VSL_LV pins

1 : Internal DC/DC function for generating VDH/VDL

VDG EN: Gate power selection

0 : External gate power from VGH/VGL pins

1 : Internal DC/DC function for generating VGH/VGL

8.1.3 R02H (POF): Power OFF Command

Action	W/R	C/D	D7	D6	D5	D4	D3	D2	D1	D0
Turning OFF the power	0	0	0	0	0	0	0	0	1	0

After the Power Off command, driver will power off based on the Power Off Sequence, BUSY_N will become "0". This command will turn off DC - DC, source driver, gate driver, VCOM, and temperature sensor, but register data will be kept until VDD becomes OFF.

SD output will base on previous condition. It may have 2 conditions: 0V or floating.

This command can be active only when BUSY_N = "1".

8.1.4 R03H (PFS): Power off sequence setting Register

Action	W/R	C/D	D7	D6	D5	D4	D3	D2	D1	D0
Setting Power OFF sequence	0	0	0	0	0	0	0	0	1	1
	0	1	-	-	T_VDS_OFF[1:0]		-	-	-	-

NOTE: "-" Don't care, can be set to VDD or GND level

T_VDS_OFF[1:0]: Power OFF Sequence of VGH/VGL and VSH/VSL.

00b: 1 frame (Default) 01b: 2 frames 10b: 3 frames 11b: 4 frame

This command can be active only when BUSY_N = "1".

8.1.5 R04H (PON): Power ON Command

Action	W/R	C/D	D7	D6	D5	D4	D3	D2	D1	D0
Turning ON the power	0	0	0	0	0	0	0	1	0	0

After the Power ON command, the driver will be powered ON following the Power ON Sequence. After the Power ON command and all power sequence are ready, the BUSY_N signal will become "1". Refer to the Power ON Sequence section.

8.1.6 R06h (BTST): Booster Soft Start

Action	W/R	C/D	D7	D6	D5	D4	D3	D2	D1	D0
Starting data transmission	0	0	0	0	0	0	0	1	1	0
	0	1	1	1	0	0	0	1	1	1
	0	1	1	1	0	0	0	1	1	1
	0	1	0	0	0	1	1	1	0	1

NOTE: "-" Don't care, can be set to VDD or GND level

8.1.7 R07H (DSLPL): Deep sleep

Action	W/R	C/D	D7	D6	D5	D4	D3	D2	D1	D0
Deep sleep	0	0	0	0	0	1	0	0	0	0
	0	1	1	0	1	0	0	1	0	1

NOTE: "-" Don't care, can be set to VDD or GND level

This command makes the chip enter the deep-sleep mode. The deep sleep mode could return to stand-by mode by hardware reset assertion.

The only one parameter is a check code, the command would be executed if check code is A5h.

8.1.8 R10H (DTM1): Data Start Transmission 1

Action	W/R	C/D	D7	D6	D5	D4	D3	D2	D1	D0
Starting data transmission	0	0	0	0	0	1	0	0	0	0
	0	1	-	KPixel2[2:0]			-	KPixel2[2:0]		
	0	1	
	0	1	-	KPixel(2M-1)[2:0]			-	KPixel(2M)[2:0]		

NOTE: "-" Don't care, can be set to VDD or GND level

This command indicates that user starts to transmit data. Then write to SRAM. While complete data transmission, user must send a DataStop command (R11H). Then the chip will start to send data/VCOM for panel..

KPixel[1~2M] [2:0] :

KPixel[2:0]	Source Driver Output	
	DDX=1(Default)	DDX=0
	LUT	LUT
000	Black	Blue
001	White	Green
010	Green	White
011	Blue	Black
100	Red	Clean
101	Yellow	Orange
110	Orange	Yellow
111	Clean	Red

8.1.9 R11H (DSP): Data Stop

Action	W/R	C/D	D7	D6	D5	D4	D3	D2	D1	D0
Stopping data transmission	0	0	0	0	0	1	0	0	0	1
	1	1	data_flag	-	-	-	-	-	-	-

NOTE: "-" Don't care, can be set to VDD or GND level

To stop data transmission, this command must be issued to check the data_flag.

Data_flag: Data flag of receiving user data.

0: Driver didn't receive all the data.

1: Driver has already received all the one-frame data (DTM1).

This command can be active only when BUSY_N = "1".

After "Data Stop" (11h) commands, BUSY_N signal will become "0" until display update is finish.

8.1.10 R12H (DRF): Display Refresh

Action	W/R	C/D	D7	D6	D5	D4	D3	D2	D1	D0
Refreshing the display	0	0	0	0	0	1	0	0	1	0

After this command is issued, driver will refresh display (data/VCOM) according to SRAM data and LUT.

After Display Refresh command, BUSY_N signal will become "0" until display update id finished.

8.1.11 R13H (IPC): Image Process Command

Action	W/R	C/D	D7	D6	D5	D4	D3	D2	D1	D0
Image Process Setting	0	0	0	0	0	1	0	0	1	1
	0	1	0	0	0	0	0	0	0	0

8.1.12 R30H (PLL): PLL Control

Action	W/R	C/D	D7	D6	D5	D4	D3	D2	D1	D0
Controlling PLL	0	0	0	0	1	1	0	0	0	0
	0	1	0	0	M[2:0]			N[2:0]		

The command controls the PLL clock frequency. The PLL structure supports the following frame rates:

(FR: Frame Rate, Unit: Hz)

D[5:0]	Frame Rate Selection
00h	12.5Hz
01h	25Hz
....	...
0Eh	187.5Hz
0Fh	200Hz
39h	200Hz
3Ah	100Hz
3Ch	50Hz
Other	50Hz

8.1.13 R40H (TSC) Temperature Sensor Command

Action	W/R	C/D	D7	D6	D5	D4	D3	D2	D1	D0
Sensing Temperature	0	0	0	1	0	0	0	0	0	0
	1	1	A11	A10	A9	A8	A7	A6	A5	A4
	1	1	A3	A2	A1	A0	-	-	-	-

This command reads the temperature sensed by the temperature sensor.

A 11:4 TS 7:0 : When TSE (R41h) is set to 0, this command reads internal temperature sensor value.

A 11:0 : When TSE (R41h) is set to 1, this command reads external LM75 temperature sensor value.

TS[7:0]	Temperature(°C)
E7h	-25
E8h	-24
...	...
FFh	-1
00h	0
...	...
18h	24
19h	25
...	...
3B	59
3C	60

8.1.14 R41H (TSE) Temperature Sensor Enable

Action	W/R	C/D	D7	D6	D5	D4	D3	D2	D1	D0
Calibrate Temperature Sensor	0	0	0	1	0	0	0	0	0	1
	0	1	TSE	-	-	-	TO[3:0]			

This command selects Internal or External temperature sensor.

TSE: Internal temperature sensor switch

0: Enable (default) 1: Disable; using external sensor.

TO 3:0 : Temperature Offset

TO[3:0]	Temperature Offset	TO[3:0]	Temperature Offset
0000	+0(Default)	1000	-8
0001	+1	1001	-7
0010	+2	1010	-6
0011	+3	1011	-5
0100	+4	1100	-4
0101	+5	1101	-3
0110	+6	1110	-2
0111	+7	1111	-1

8.1.15 R42H (TSW) Temperature Sensor Write

Action	W/R	C/D	D7	D6	D5	D4	D3	D2	D1	D0
Temperature Sensor Write	0	0	0	1	0	0	0	0	1	0
	0	1	WATTR[7:0]							
	0	1	WMSB[7:0]							
	0	1	WLSB[7:0]							

This command reads the temperature sensed by the temperature sensor.

WATTR: D 7:6 : I²C Write Byte Number

00 : 1 byte (head byte only)

01 : 2 bytes (head byte + pointer)

10 : 3 bytes (head byte + pointer + 1st parameter)

11 : 4 bytes (head byte + pointer + 1st parameter + 2nd parameter)

D 5:3 : User-defined address bits (A2, A1, A0)

D 2:0 : Pointer setting

WMSB[7:0]: MSByte of write-data to external temperature sensor

WLSB[7:0]: LSByte of write-data to external temperature sensor

8.1.16 R43H (TSR) Temperature Sensor Read

Action	W/R	C/D	D7	D6	D5	D4	D3	D2	D1	D0
Temperature Sensor Read	0	0	0	1	0	0	0	0	1	1
	1	1	RMSB[7:0]							
	1	1	RLSB[7:0]							

This command reads the temperature sensed by the external temperature sensor.

RMSB 7:0 : MSByte read data from external temperature sensor

RLSB 7:0 : LSByte read data from external temperature sensor

8.1.17 R50H (CDI) VCOM and Data interval setting

Action	W/R	C/D	D7	D6	D5	D4	D3	D2	D1	D0
Set Interval between VCOM and data	0	0	0	1	0	1	0	0	0	0
	1	1	VBD[2:0]			DDX	CDI[3:0]			

This command indicates the interval of Vcom and data output. When setting the vertical back porch, the total blanking will be kept (20 Hsync).

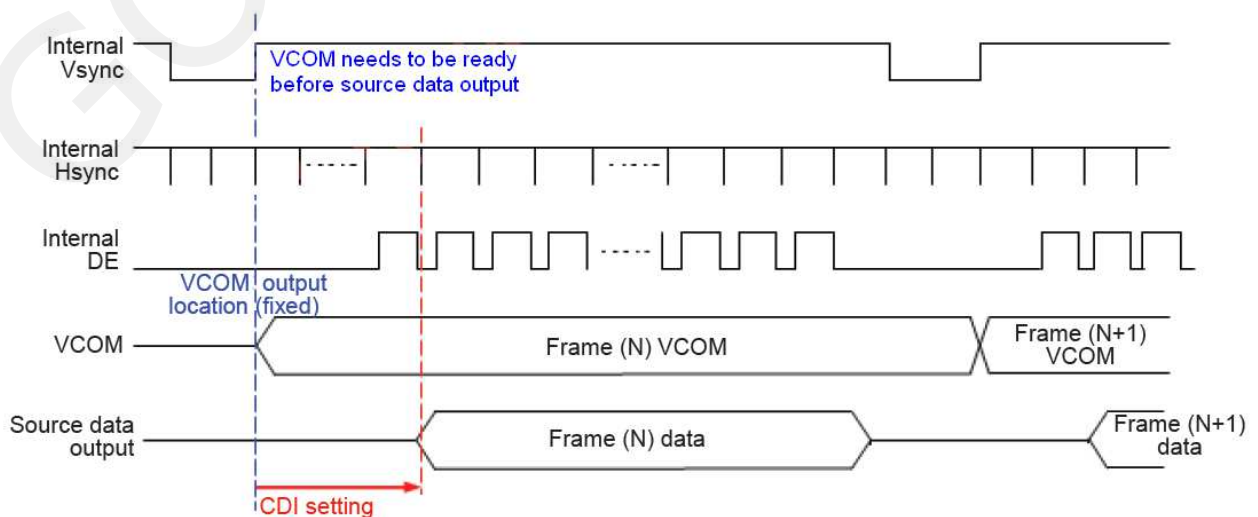
VBD[2:0]: Border output selection

DDX: Data polarity.

VBD[2:0]	Border Output	
	DDX=1(Default)	DDX=0
	LUT	LUT
000	Black	Blue
001	White	Green
010	Green	White
011	Blue	Black
100	Red	HIZ
101	Yellow	Orange
110	Orange	Yellow
111	HIZ	Red

CDI 3:0 : Vcom and data interval

CDI[3:0]	VCOM and Data interval	CDI[3:0]	VCOM and Data interval
0000b	17 hsync	1000b	9
0001	16	1001	8
0010	15	1010	7
0011	14	1011	6
0100	13	1100	5
0101	12	1101	4
0110	11	1110	3
0111	10(Default)	1111	2



8.1.18 R51H (LPD) Low Power Detection

Action	W/R	C/D	D7	D6	D5	D4	D3	D2	D1	D0
Detect Low Power	0	0	0	1	0	1	0	0	0	1
	1	1	-	-	-	-	-	-	-	LPD

This command indicates the input power condition. Host can read this flag to learn the battery condition.

LPD: Internal temperature sensor switch

0: Low power input (VDD<2.5V)

1: Normal status (default)

8.1.19 R61H (TRES) Resolution Setting

Action	W/R	C/D	D7	D6	D5	D4	D3	D2	D1	D0
Set Display Resolution	0	0	0	1	1	0	0	0	0	1
	0	1	0	0	0	0	0	0	1	0
	0	1	0	1	0	1	1	0	0	0
	0	1	0	0	0	0	0	0	0	1
	0	1	1	1	0	0	0	0	0	0

8.1.20 R71H (FLG) Get Status

Action	W/R	C/D	D7	D6	D5	D4	D3	D2	D1	D0
Read Flags	0	0	0	1	1	1	0	0	0	1
	1	1	-	-	I ² C_ERR	I ² C_BUSYN	data_flag	PON	POF	BUSY_N

This command reads the IC status.

I²C ERR: I²C master error status

I²C BUSYN: I²C master busy status (low active)

data flag: Driver has already received all the one frame data

PON: Power ON status

POF: Power OFF status

BUSY N: Driver busy status (low active)

8.1.21 R81H (VV) VCOM value

Action	W/R	C/D	D7	D6	D5	D4	D3	D2	D1	D0
Automatically measure Vcom	0	0	1	0	0	0	0	0	0	1
	1	1	-	VV[6:0]						

This command gets the Vcom value.

VV 6:0 : Vcom Value Output

VV[6:0]	VCOM Value
000 0000b	(Reserved)
000 0001b	(Reserved)
000 0010b	-0.10V
000 0011b	-0.15V
000 0100b	-0.20V
:	:
101 0000b	-4.0V
(others)	-4.0V

8.1.22 R82H (VDCS) VCM DC Setting

Action	W/R	C/D	D7	D6	D5	D4	D3	D2	D1	D0
Set VCM_DC	0	0	1	0	0	0	0	0	1	0
	0	1	-	VDCS[6:0]						

This command sets VCOM_DC value

VDCS 6:0 : Vcom_DC setting

VDCS[6:0]	VCOM_DC value
000 0000b	(Reserved)
000 0001b	(Reserved)
000 0010b	-0.10 V
000 0010b	-0.15V
000 1100b	-0.20V
...	...
101 0000b	-4.0V
(others)	-4.0V

GOOD DISPLAY

9. Electrical Characteristics

9.1 Absolute Maximum Ratings (TBD)

Item	Symbol	Min	Max	Unit
Logic Supply Voltage	VCI	-0.3	+4.0	V
Tst	Storage Temperature	(-25)	(60)	°C
Tot	Operating Temperature	(15)	(35)	°C

Note:

Maximum ratings are those values beyond which damages to the device may occur. Functional operation should be restricted to the limits in the Electrical Characteristics chapter.

9.2 Panel DC characteristics

DIGITAL DC CHARACTERISTICS						
Symbol	Parameter	Conditions	MIN.	TYP.	MAX.	Unit
VCI	Logic supply voltage		2.5	3.3	3.6	V
VIL	Low level input voltage	Digital input pins	0	--	0.2xVCI	V
VIH	High level input voltage	Digital input pins	0.8xVCI	--	VCI	V
VOH	High level output voltage	Digital input pins, IOH= 400 uA	0.8xVCI	--	--	V
VOL	Low level output voltage	Digital input pins, IOL= -400 uA	0	--	0.2VCI	V
RIN	Pull-up/down impedance			200		KΩ
IMSTB	Module stand-by current	Stand-by mode	--	0.2		mA
I _{MDS}	Module deep sleep & Flash power down current	Deep sleep mode & Flash power down mode		1.0		uA
Inc	Inrush Current			0.1		A
IMOPR	Module operating current			TDB	TDB	mA
P	Operation Power Dissipation	VCI=3.3V with DC-DC		TDB	TDB	mW
PSTBY	Standby Power Dissipation	VCI=3.3V		0.66		mW

Note: The Module operating current data is measured by using Oscilloscope, and extract the Mean value.

- The Typical power consumption is measured using associated 25C waveform with following pattern transition: from full white pattern to black, white, red, yellow, blue, green and orange stripe pattern. (Note 9-1)
- The Max power consumption is measured using associated 25C waveform with following pattern transition: from full white pattern to pattern of repeated 1 consecutive black scan lines followed by 1 consecutive white scan line. (Note 9-2)
- The standby power is the consumed power when panel controller is in standby mode.
- The listed electrical/optical characteristics are only guaranteed under the controller & waveform provided by Good Display.

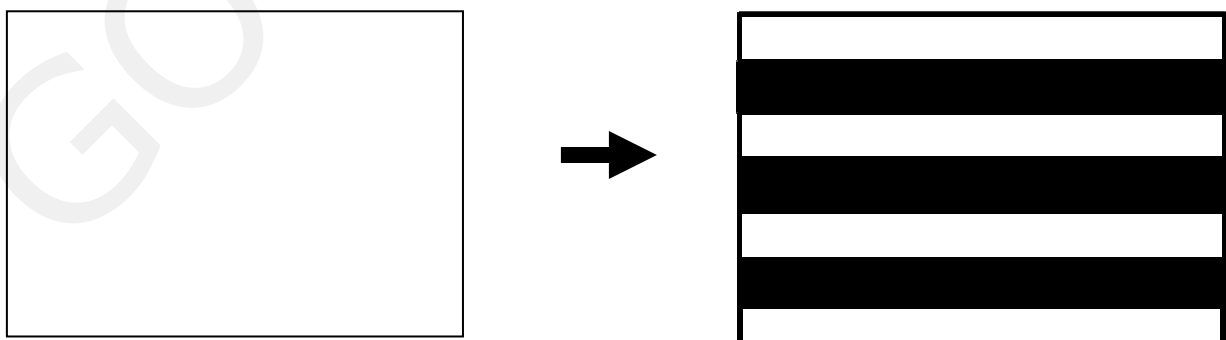
Note 9-1

The Typical power consumption



Note 9-2

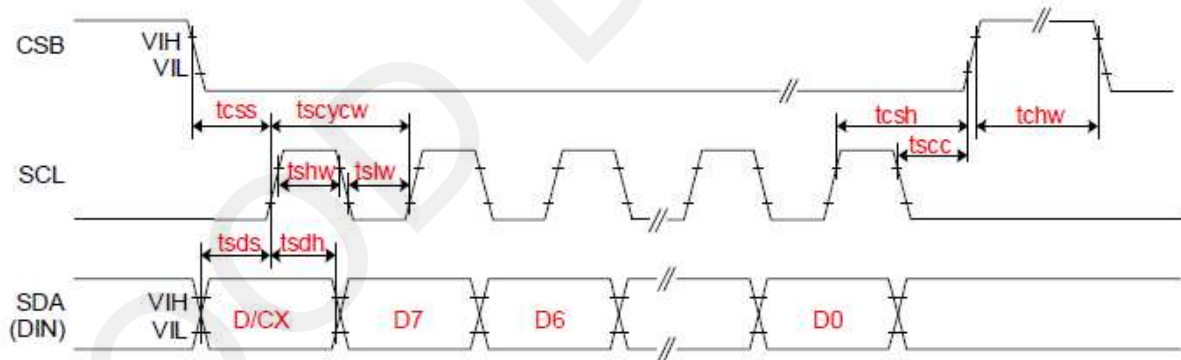
The Maximum power consumption



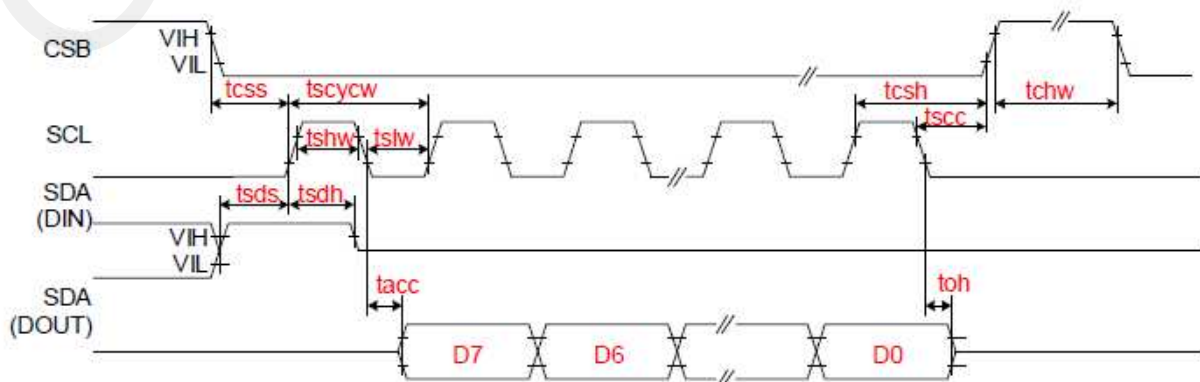
9.3 Panel AC characteristics

VDD=2.5V to 3.6V, unless otherwise specified.

SYMBOL	SIGNAL			MIN.	TYP.	MAX.	UNIT
SERIAL COMMUNICATION							
tCSS	CSB	Chip select setup time		60			ns
tCSH		Chip select hold time		65			ns
tSCC		Chip select setup time		20			ns
tCHW		Chip select setup time		40			ns
tSCYCW	SCL	Serial clock cycle (Write)		100			ns
tSHW		SCL "H" pulse width (Write)		35			ns
tSLW		SCL "L" pulse width (Write)		35			ns
tSCYCR		Serial clock cycle (Read)		150			ns
tSHR		SCL "H" pulse width (Read)		60			ns
tSLR		SCL "L" pulse width (Read)		60			ns
tSDS	SDA (DIN) (DOUT)	Data setup time		30			ns
tSDH		Data hold time		30			ns
tACC		Access time				10	ns
tOH		Output disable time		15			ns
DRIVER							
trS		Source driver rise time	99% final value		5		us
tFS		Source driver fall time			5		us
trG		Gate driver rise time	99% final value		5		us
tFG		Gate driver fall time			5		us
trCOM		VCOM rise time	99% final value		1		ms
tFCOM		VCOM fall time			1		ms



3-wire Serial Interface – Write



9.3.1 MCU Serial Interface

3-WIRE SPI

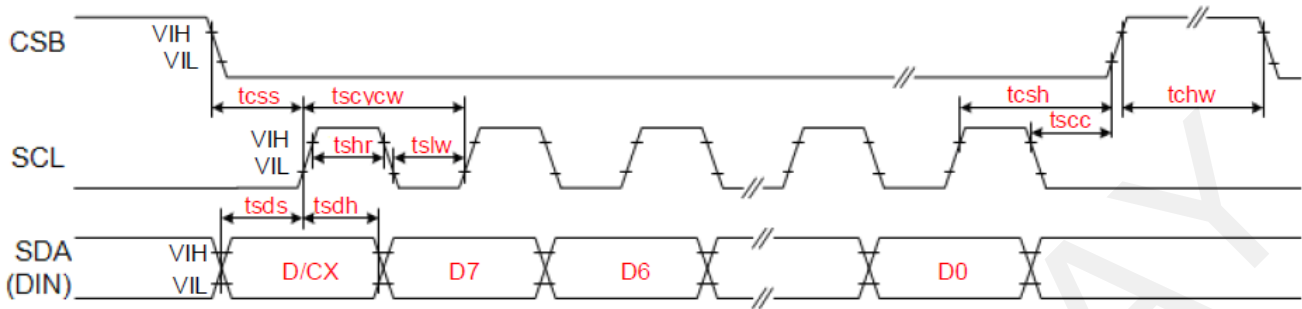


Figure : 3-wire Serial Interface – Write

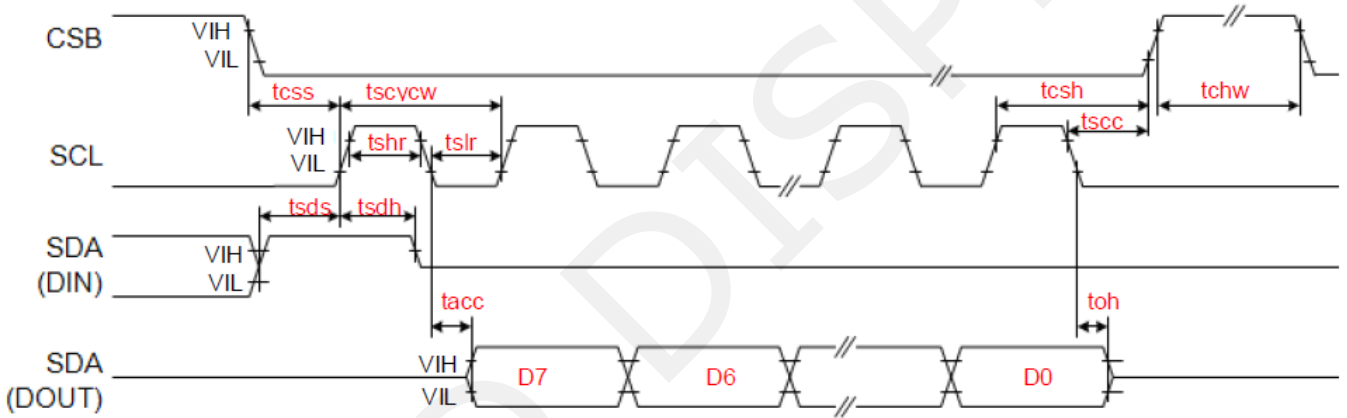


Figure : 3-wire Serial Interface – Read

4-WIRE SPI

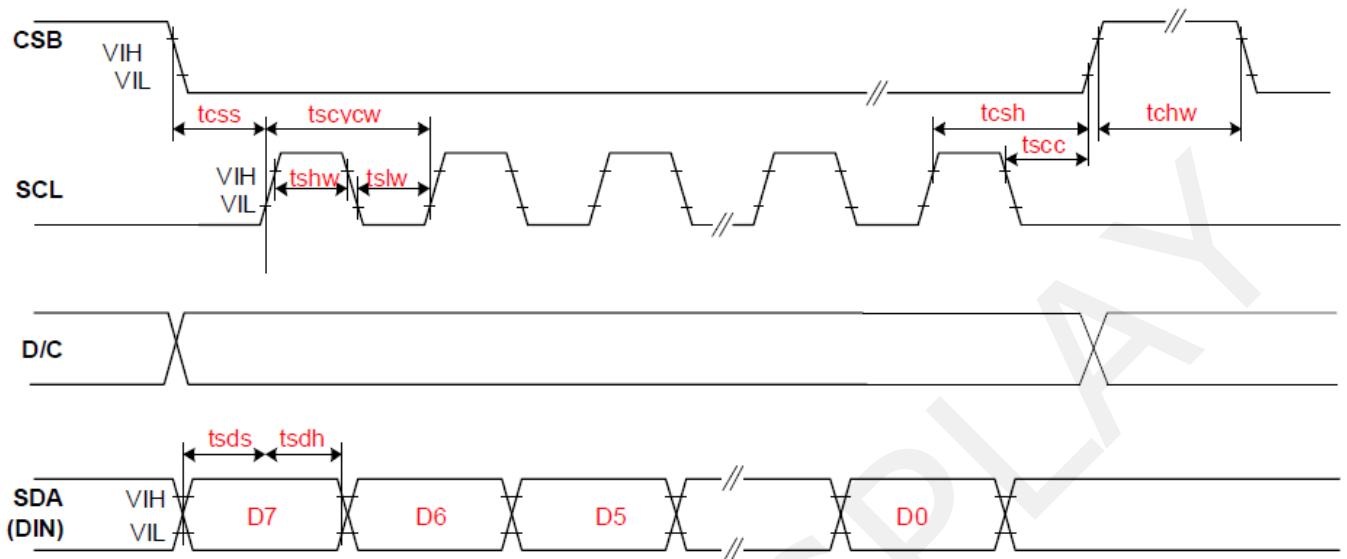
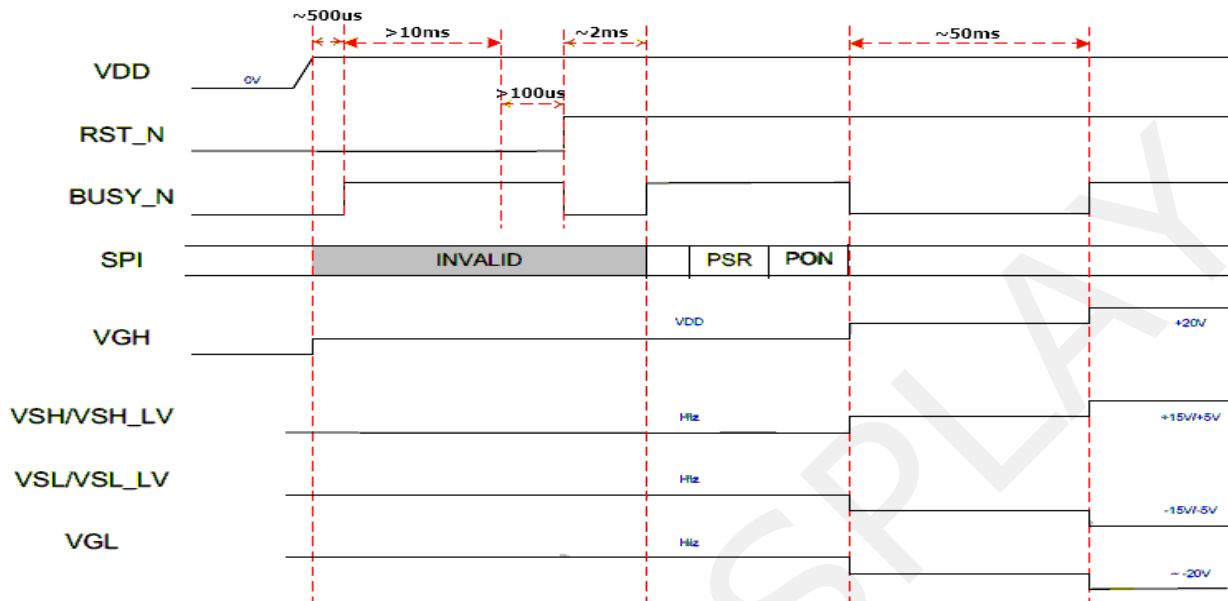


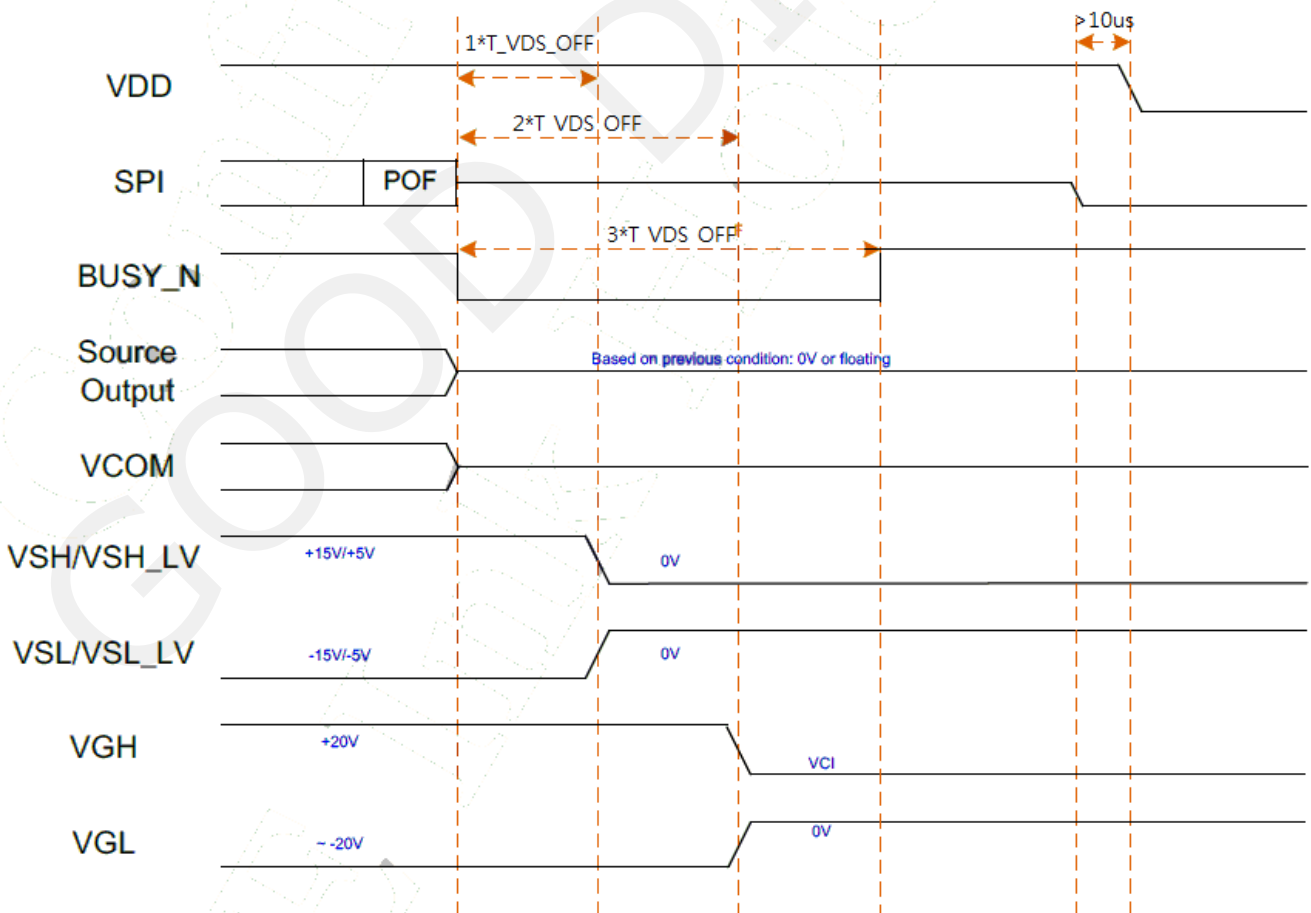
Figure : 4-wire Serial Interface – Read

9.3.2 Power On/Off Characteristics

Power ON Sequence



Power OFF Sequence



10. Optical characteristics

10.1 Specification

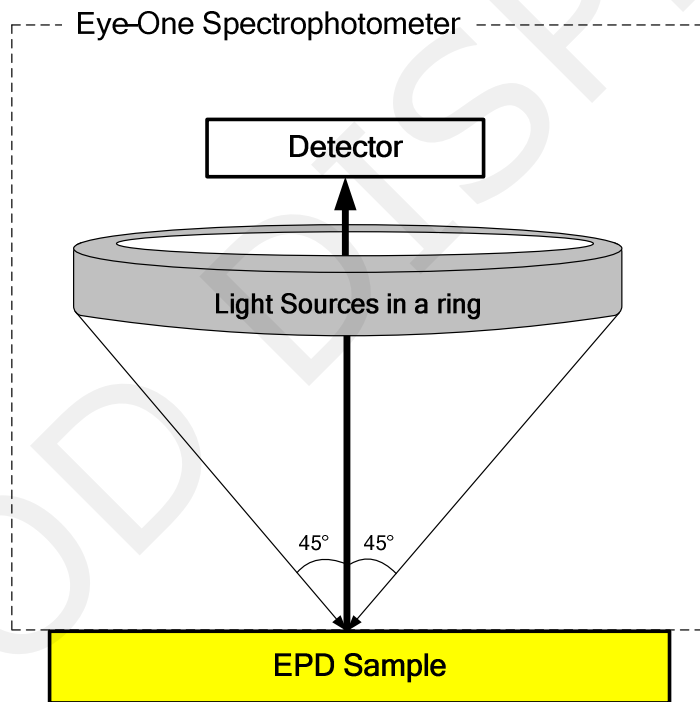
Measurements are made with that the illumination is under an angle of 45 degrees, the detector is perpendicular unless otherwise specified.

TBD

10.2 Definition of contrast ratio

The contrast ratio (CR) is the ratio between the reflectance in a full white area (RI) and the reflectance in x

$$CR = RI/Rd$$



10.3 Reflection Ratio

The reflection ratio is expressed as :

$$R = \text{Reflectance Factor}_{\text{white board}} \times (L_{\text{center}} / L_{\text{white board}})$$

L_{center} is the luminance measured at center in a white area ($R=G=B=1$). $L_{\text{white board}}$ is the luminance of a standard white board. Both are measured with equivalent illumination source. The viewing angle shall be no more than 2 degrees.

11. HANDLING, SAFETY AND ENVIROMENTAL REQUIREMENTS AND REMARK

WARNING

The display glass may break when it is dropped or bumped on a hard surface. Handle with care. Should the display break, do not touch the electrophoretic material. In case of contact with electrophoretic material, wash with water and soap.

CAUTION

The display module should not be exposed to harmful gases, such as acid and alkali gases, which corrode electronic components.

Disassembling the display module can cause permanent damage and invalidate the warranty agreements.

IPA solvent can only be applied on active area and the back of a glass. For the rest part, it is not allowed.

Mounting Precautions

(1) It`s recommended that you consider the mounting structure so that uneven force (ex. Twisted stress) is not applied to the module.

(2) It`s recommended that you attach a transparent protective plate to the surface in order to protect the EPD. Transparent protective plate should have sufficient strength in order to resist external force.

(3) You should adopt radiation structure to satisfy the temperature specification.

(4) Acetic acid type and chlorine type materials for the cover case are not desirable because the former generates corrosive gas of attacking the PS at high temperature and the latter causes circuit break by electro-chemical reaction.

(5) Do not touch, push or rub the exposed PS with glass, tweezers or anything harder than HB pencil lead. And please do not rub with dust clothes with chemical treatment. Do not touch the surface of PS for bare hand or greasy cloth. (Some cosmetics deteriorate the PS)

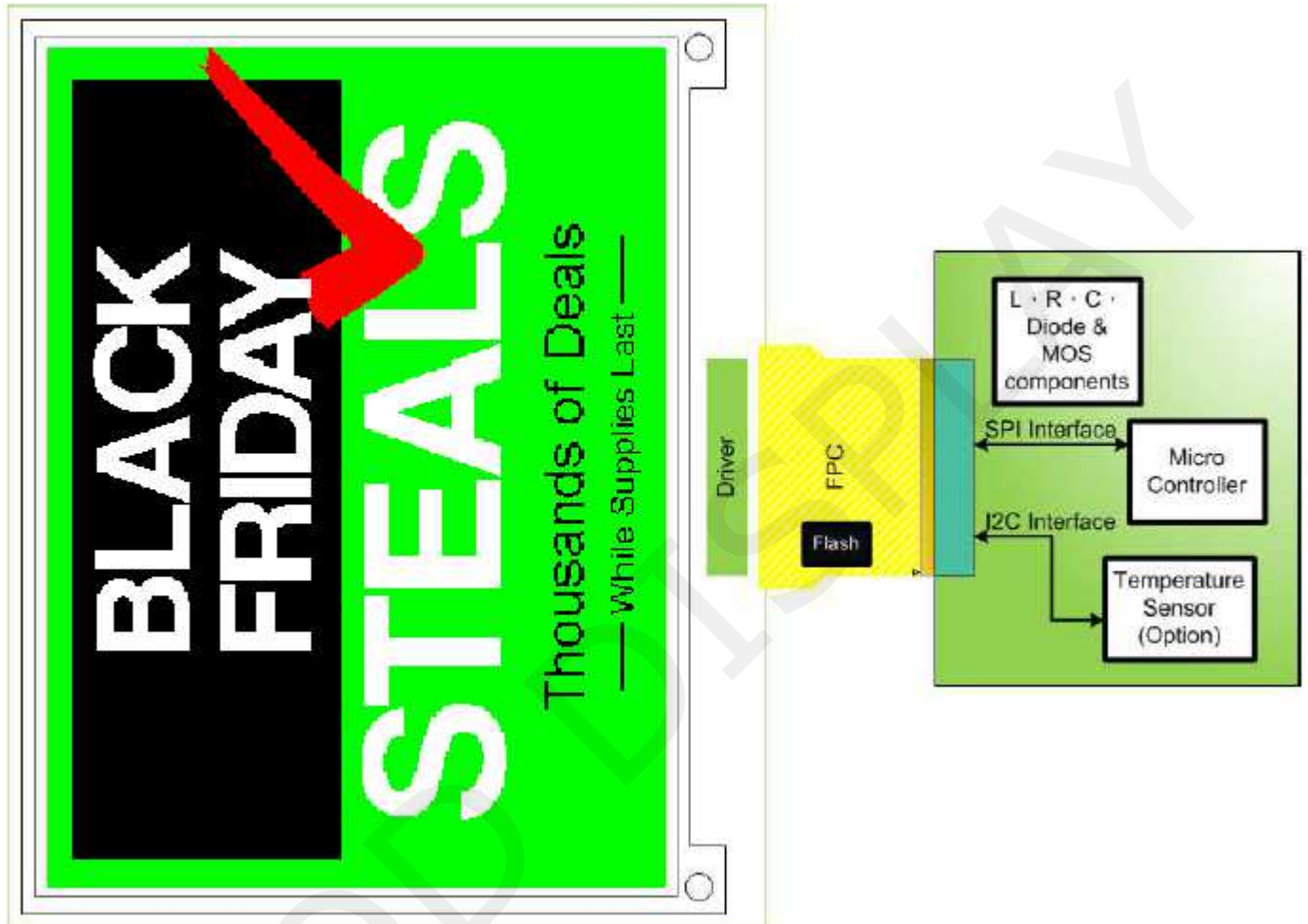
(6) When the surface becomes dusty, please wipe gently with absorbent cotton or other soft materials like chamois soaks with petroleum benzene. Normal-hexane is recommended for cleaning the adhesives used to attach the PS. Do not use acetone, toluene and alcohol because they cause chemical damage to the PS.

(7) Wipe off saliva or water drops as soon as possible. Their long time contact with PS causes deformations and color fading.

Data sheet status	
Product specification	This data sheet contains preliminary product specifications.
Limiting values	
<p>Limiting values given are in accordance with the Absolute Maximum Rating System (IEC 134). Stress above one or more of the limiting values may cause permanent damage to the device. These are stress ratings only and operation of the device at these or at any other conditions above those given in the Characteristics sections of the specification is not implied. Exposure to limiting values for extended periods may affect device reliability.</p>	
Application information	
Where application information is given, it is advisory and does not form part of the specification.	
Long Term Storage	
<p>When storing modules as spares for a long time, the following precautions are necessary. (1) Store them in dark place. Do not expose the module to sunlight or fluorescent light. Keep the temperature between 5°C and 35°C at normal humidity.</p>	

REMARK
<p>All The specifications listed in this document are guaranteed for module only. Post-assembled operation or component(s) may impact module performance or cause unexpected effect or damage and therefore listed specifications is not warranted after any Post-assembled operation.</p>

12. Block Diagram



13. Packing

REV	DESCRIPTION	DESIGN	DATE
1.0	Preliminary drawing		

NOTE:
 1. One layer include: 8 pcs panel, 1 pc epe cushion sheet & 1 pc tray
 2. QTY: 96 pcs panel/carton.
 3. Dimension: 558*370*170mm
 4. Weight: 5.9kg
 5. Make sure tray stacked with 0° rotation, we can check this by tray's half circles from lateral side view

7	30g防網罩	2	
6	CARTON INTERNAL	1	
5	捆口袋	1	抗靜電
4	EPD	96	
3	EPE CUSHION SHEET	12	
2	TRAY	13	抗靜電
1	EPE FOAM	2	

ITEM	DESCRIPTION	QTY	REMARK
DALIAN GOOD DISPLAY CO., LTD.			
APPROVE		UNIT	SHEET
CHECK		mm	1 OF 1
DESIGN			

A₄ SIZE

14. Precautions

- (1) Do not apply pressure to the EPD panel in order to prevent damaging it.
- (2) Do not connect or disconnect the interface connector while the EPD panel is in operation.
- (3) Do not touch IC bonding area. It may scratch TFT lead or damage IC function.
- (4) Please be mindful of moisture to avoid its penetration into the EPD panel, which may cause damage during operation.
- (5) If the EPD Panel / Module is not refreshed every 24 hours, a phenomena known as "Ghosting" or "Image Sticking" may occur. It is recommended to refreshed the ESL /EPD Tag every 24 hours in use case. It is recommended that customer ships or stores the ESL / EPD Tag with a completely white image to avoid this issue
- (6) High temperature, high humidity, sunlight or fluorescent light may degrade the EPD panel's performance. Please do not expose the unprotected EPD panel to high temperature, high humidity, sunlight, or fluorescent for long periods of time.
- (7) For more precautions, please click on the link:
<https://www.good-display.com/news/80.html>