


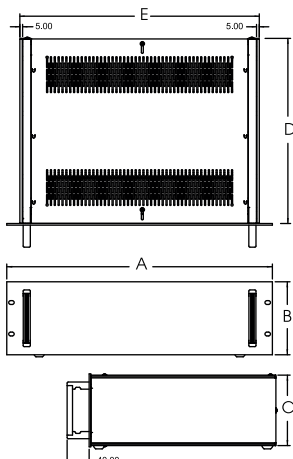
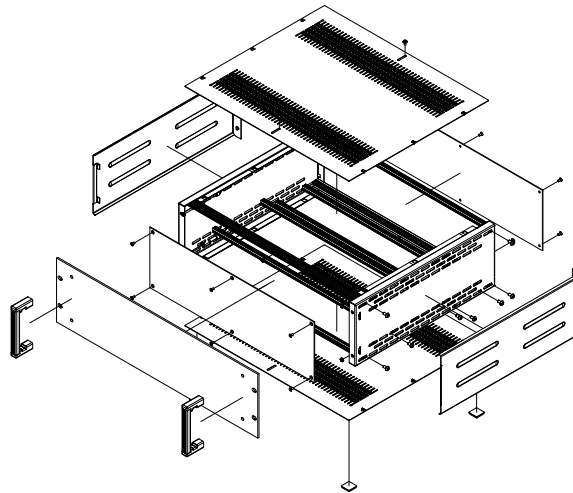
PF-19 SERIES



The PF-19 Series of rack mounted 19" Enclosures, is very versatile and user friendly. Designed for both professional users and home hobbyists alike, our latest version continues the trend of reducing hardware and maximizing user convenience. The heavy duty electro-galvanized steel body features perforated, removable top and bottom panels providing ample ventilation and easy access to work inside. The 3.00 mm thick Aluminum front and rear panels are easily worked to your specification. Our customized extruded aluminum mounting rails are slotted to allow for convenient PCB and component installation. PF-19 is provided with self adhesive rubber feet if rack mounting is not required.

Standards and Materials

- Heights from 1U to 5U
- Depths of 245mm, 335mm and 425mm
- Dimensions conform to IEC-297, EIA-310 C1977 and DIN41494.
- Premium grade electro-galvanized steel and aluminum.
- Designed and manufactured under ISO 9001:2008 and ISO 14001:2004
- Five stage iron-phosphate pretreatment with powder coat finish. Tested to 500 hours salt spray under ASTM-D610-01 and ASTM-B117.
- All materials RoHS compliant. 



Item #	Model	Front Panel Size (MM.) (A x B)	Cabinet Size (MM.) (E x D x C)	Handle Height (MM.)
1	1UD0	482.60 x 43.70 x 3.00	425.00 x 90.00 x 38.70	-
2	1UD1	482.60 x 43.70 x 3.00	425.00 x 245.00 x 38.70	-
3	2UD1	482.60 x 88.10 x 3.00	425.00 x 245.00 x 83.10	60.00
4	2UD2	482.60 x 88.10 x 3.00	425.00 x 335.00 x 83.10	60.00
5	3UD2	482.60 x 132.60 x 3.00	425.00 x 335.00 x 127.60	90.00
6	3UD3	482.60 x 132.60 x 3.00	425.00 x 425.00 x 127.60	90.00
7	4UD2	482.60 x 177.00 x 3.00	425.00 x 335.00 x 172.00	130.00
8	4UD3	482.60 x 177.00 x 3.00	425.00 x 425.00 x 172.00	130.00
9	5UD2	482.60 x 221.50 x 3.00	425.00 x 335.00 x 216.50	166.00
10	5UD3	482.60 x 221.50 x 3.00	425.00 x 425.00 x 216.50	166.00
11	6UD3	482.60 x 265.90 x 3.00	425.00 x 425.00 x 261.00	166.00
12	6UD4	482.60 x 265.90 x 3.00	425.00 x 465.00 x 261.00	166.00

