

Pushbutton, illuminated pushbutton, Ø 22 mm,
stainless steel 316L, cable 200 mm, 180°

Distribution by
DigiKey

DigiKey

82-6655.2124



<https://digikey.eao.com/p/82-6655.2124>

Your product:



82-6655.2124

Pushbutton, illuminated pushbutton, Ø 22 mm, stainless steel 316L, cable 200 mm, 180°

FRONT

Front bezel material:	Stainless steel 316L
Front form:	round

MOUNTING

Mounting cut-out:	Ø 22 mm
--------------------------	---------

OPERATING-/INDICATION PART

Lens optics:	opaque
Shape of illumination:	Ring (Tritan)
Lens illumination:	illuminative
Illumination colour:	Blue
Lens shape:	flush
Lens material:	Stainless steel 316L
Lens colour:	Silver

ELECTRICAL CHARACTERISTICS

Operating voltage:	24 V DC (LED)
Pollution degree:	2, according to EN IEC 60947-1
Rated insulation voltage U_i:	250 V
Electric strength:	1500 VAC, 50 Hz 1 minute between life terminals and ground
Rated Operational Voltage U_e:	250 VAC
Thermal current I_{th}:	5 A

Electrical lifetime: 50 000 cycles of operation

MECHANICAL CHARACTERISTIC

Operating Travel: ca. 3 mm
Operating force: 4 N ... 7 N
Mechanical lifetime: 500 000 cycles of operation
Weight: 0.043 kg
Switching action: Maintained
Terminal: Cable 200 mm, 180°
Tightening torque: 0.5 ... 0.6 Nm
Switching system: Snap-action switching element

AMBIENT CONDITION

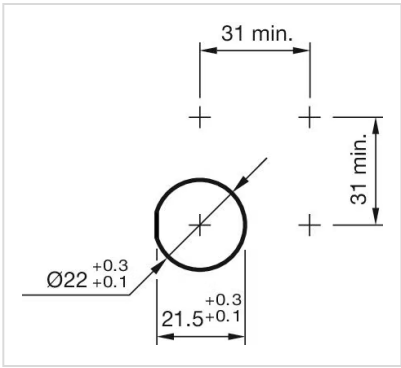
IP front protection: IP65, IP67
Shock resistance: Max. 500 m / s² as per IEC 60068-2-27
Vibration resistance: 10 ... 500 Hz, amplitude 1.5 mm p-p according to IEC 60068-2-6
Operating temperature: – 30 °C ... + 70 °C
Climate resistance: Damp heat, 21 days according to IEC 60512-11
Storage temperature: – 40 °C ... + 80 °C

CERTIFICATE

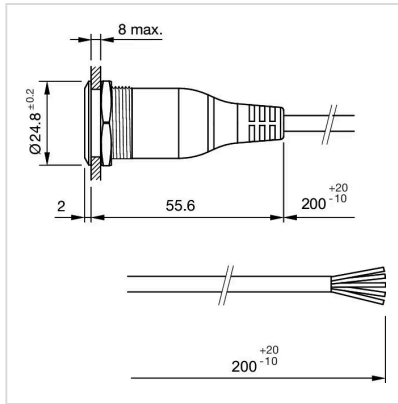
Conformities: CE, 2011 / 65 / EC (RoHS), 2014 / 35 / EU (LVD)

OTHER

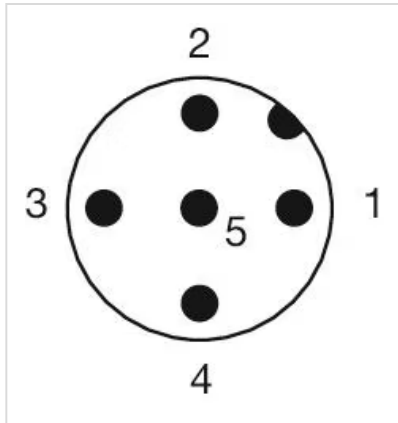
Kind of illumination: Single-LED
Short Description: Pushbutton, illuminated pushbutton, Ø 22 mm, stainless steel 316L, cable 200 mm, 180°, Maintained, 35 V AC/DC @ 0,6 A, 24 V DC (LED), Cable 200 mm, 180°, round, Stainless steel 316L, Blue, Silver
Hints: Cable with certification ECE-R118
Mounting cut-outs:



Dimension drawings:



Component layouts:



Wiring diagrams:

