

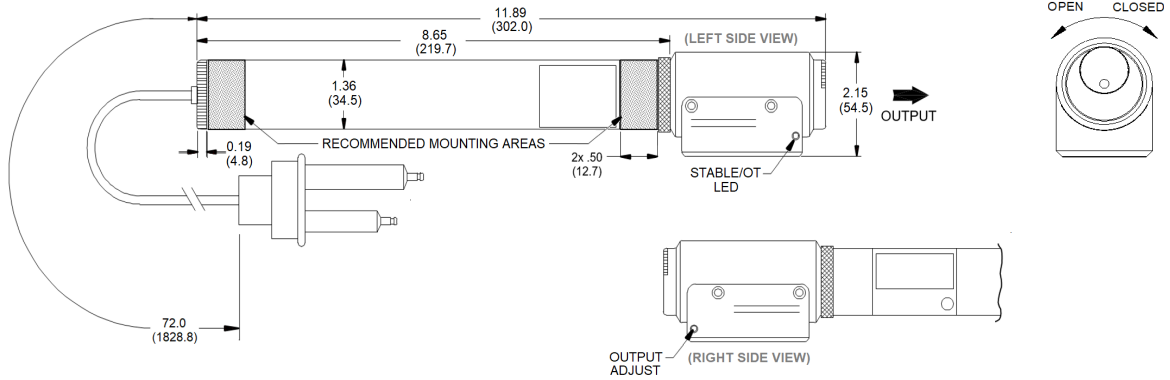
STABILIZED HELIUM NEON LASER SYSTEM

MODEL: 25-STP-912

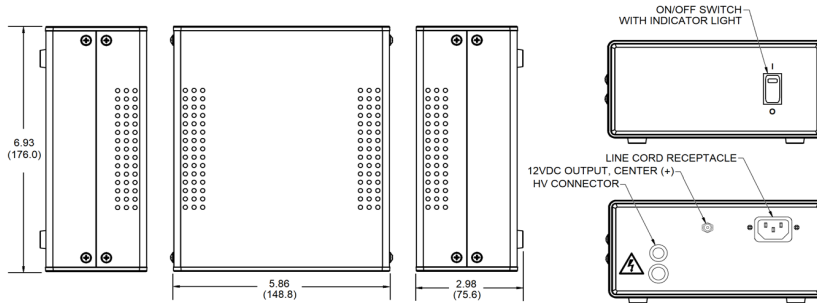
OUTPUT SPECIFICATIONS		
Minimum CW Power Output (mW)		1.0
Center Wavelength in Vacuum (nm)		632.991420
Beam Diameter at 1/e ² (mm)		0.54
Beam Divergence (mrad)		1.50
Transverse Mode		> 99% TEM ₀₀
Polarization		Linear > 500:1
Warm-up Time, Frequency Lock (minutes)		< 10
Amplitude Noise, 30 Hz to 10 MHz (RMS)		0.1%
Frequency Tunability Range, Blue Side (MHz)		50 - 600
Amplitude Tunability Range, typical (mW)		0.60 - 1.40
Coherence Length:		
1 Hour (Meters)		> 300
8 Hours (Meters)		> 30
1 Month (Meters)		> 30
Amplitude Stability:		
1 Hour (%)		± 0.1
8 Hours (%)		± 0.1
1 Month (%)		± 0.2
Frequency Stability:		
1 Hour (MHz)		< ± 5
8 Hours (MHz)		± 7
1 Month (MHz)		± 10
ELECTRICAL SPECIFICATIONS	LASER HEAD	Power Supply
Start Voltage (kVDC)	<10	-
Operating Voltage (VDC)	1600 ± 100	80 to 260 VAC @ 47 - 63 Hz
Operating Current (mA)	4.0 ± 0.2	1.2/115VAC 0.6/230VAC
SINGLE FREQUENCY ADAPTER (SFA) ELECTRICAL SPECIFICATIONS		
Input Voltage (VDC)		12.0
Input Current (A)		2.0
ENVIRONMENTAL SPECIFICATIONS	OPERATING	NON-OPERATING
Temperature (°C)	15 to +35	-20 to +80
Relative Humidity (% , non-condensing)	0 to 90	0 to 90
REGULATORY COMPLIANCE*		
Laser Safety		IEC 60825-1:2014
Electrical Safety		IEC 61010-1:2010 + A1
Certifying Body		TUV Rheinland
RoHS 3		EU 2015/863
Product Markings		cTUVus, CE, UKCA, WEEE

* See separate compliance statement for further information

Laser Head



Power Supply



Please see Pacific Lasertec part number 05-LPL-851-040 for additional power supply specifications

LASER CLASSIFICATION

US 21 CFR 1040.10	Class IIIa
IEC 60825-1:2014	Class 3R
US FDA Accession Number	9320815

EXPORT INFORMATION

LASER

POWER SUPPLY

ECCN	EAR99	EAR99
HTTS	9013.20.0000	8504.40.9510
Country of Origin	United States	United States

THESE PRODUCTS ARE SOLD IN ACCORDANCE WITH UNITED STATES EXPORT ADMINISTRATION REGULATIONS. DIVERSION CONTRARY TO U.S. LAWS IS PROHIBITED.

Information contained herein is for reference only and subject to change without notice.

