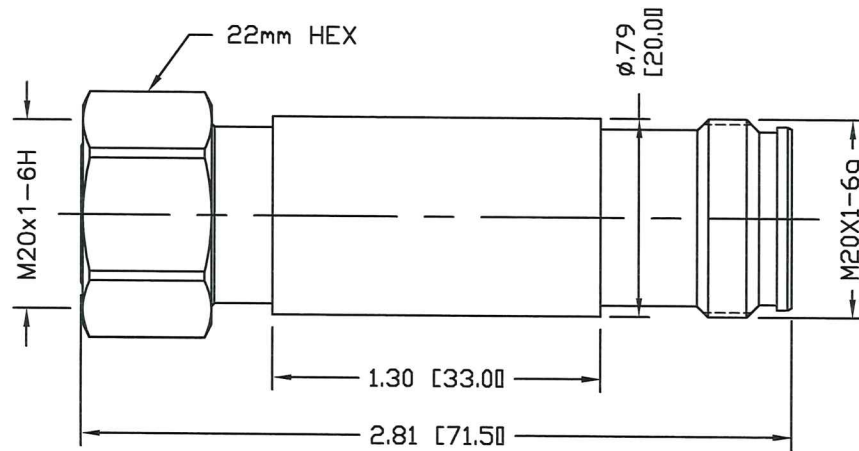


PART NO.

RF-ATN-43MF-5W13


REV	DESCRIPTION	DWN	DATE	APPROVED
-	ENGINEERING RELEASE	CZS	10/21/21	JDMc

**SPECIFICATIONS:**

IMPEDANCE: 50 OHMS
 FREQUENCY RANGE: 0-6 GHz
 AVERAGE POWER: 5 WATT
 VSWR MAX: ≤ 1.25
 ATTENUATION: 13 dB
 ACCURACY: ± 0.8 dB
 COLOR: BLACK
 APPLICATION: INDOOR
 OPERATING TEMPERATURE: -30°C TO $+65^{\circ}\text{C}$
 WEIGHT: 0.12 kg.

NOTES:

CONNECTORS WILL HAVE PROTECTIVE CAPS ON

CUSTOMER OUTLINE DRAWING <hr/> ALL DIMENSIONS ARE REFERENCE ONLY <hr/> UNLESS OTHERWISE SPECIFIED: DIMENSIONS ARE IN INCHES AND [MILLIMETERS]		RoHS COMPLIANT		RFconnectors DIVISION OF RF INDUSTRIES, LTD.		7610 MIRAMAR RD. SAN DIEGO, CA 92126 (858) 549-6340 (858) 549-6345 FAX	
PROPRIETARY AND CONFIDENTIAL THIS DRAWING CONTAINS INFORMATION PROPRIETARY TO RF INDUSTRIES. ANY UNAUTHORIZED USE OF THIS DRAWING IS EXPRESSLY PROHIBITED WITHOUT WRITTEN PERMISSION FROM RF INDUSTRIES. ANY VIOLATION IS PUNISHABLE UNDER U.S. COPYRIGHT LAWS.		5 WATT ATTENUATOR 4.3/10 MALE TO 4.3/10 FEMALE 13dB				REVISION —	
DRAWN C. ZUNIGA	10/21/21	SIZE A	CABLE GROUP	DWG NO. RF-ATN-43MF-5W13	ENGINEERING ID: 000000		SHEET 1 OF 1
CHECKED 	10-27-21	SCALE: NTS	ENGINEERING ID: 000000		SHEET 1 OF 1		
ORJ DRAWN C. ZUNIGA	08/19/19						