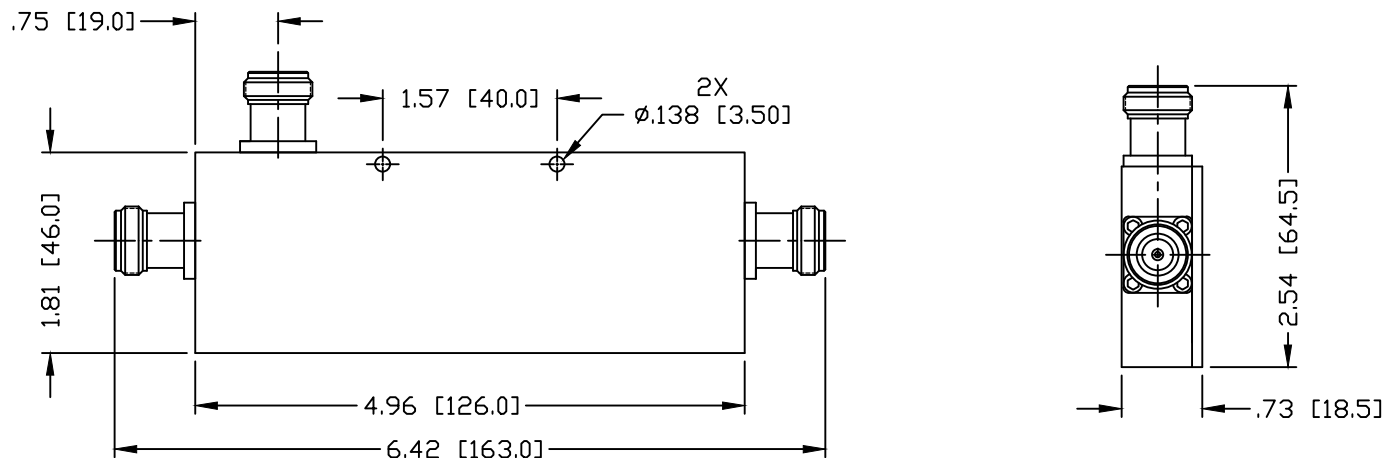


PART NO.

RFDC-13DBC-NF

REV	DESCRIPTION	DWN	DATE	APPROVED
-	ENGINEERING RELEASE	CZS	09/19/19	JDMc

**SPECIFICATIONS:**

IMPEDANCE: 50 Ohms
 OPERATION FREQUENCY BAND: 698-2700 MHz
 COUPLING: 13dB
 COUPLING TOLERANCE: ± 1.0 dB
 INSERTION LOSS: ≤ 0.70 dB
 ISOLATION: ≥ 31 dB
 VSWR: ≤ 1.25
 3rd ORDER IM: ≤ -155 dBc (RELATIVE TO CARRIER)
 3rd ORDER IM TEST METHOD: 2x43dBm CARRIERS
 AVERAGE POWER: 300 WATT
 COLOR: BLACK
 OPERATING TEMPERATURE: $-35^{\circ}\text{C} \sim +65^{\circ}\text{C}$
 APPLICATION: INDOOR/OUTDOOR
 REGULATORY COMPLIANCE/CERTIFICATIONS: RoHS/IP65

NOTES:
 CONNECTORS WILL HAVE PROTECTIVE CAPS ON

CUSTOMER OUTLINE DRAWING		RoHS COMPLIANT		RFconnectors <small>DIVISION OF RF INDUSTRIES, LTD.</small>		7610 MIRAMAR RD. SAN DIEGO, CA 92126 (858) 549-6340 (858) 549-6345 FAX	
ALL DIMENSIONS ARE REFERENCE ONLY						13 dB DIRECTIONAL COUPLER N FEMALE - 698-2700 MHz	
UNLESS OTHERWISE SPECIFIED: DIMENSIONS ARE IN INCHES AND [MILLIMETERS]		PROPRIETARY AND CONFIDENTIAL THIS DRAWING CONTAINS INFORMATION PROPRIETARY TO RF INDUSTRIES. ANY UNAUTHORIZED USE OF THIS DRAWING IS EXPRESSLY PROHIBITED WITHOUT WRITTEN PERMISSION FROM RF INDUSTRIES. ANY VIOLATION IS PUNISHABLE UNDER U.S. COPYRIGHT LAWS.		SIZE	CABLE GROUP	DWG NO.	REVISION
DRAWN C. ZUNIGA	09/19/19	A		RFDC-13DBC-NF		A	
CHECKED				SCALE:	ENGINEERING ID:	000000	
ORJ DRAWN C. ZUNIGA	04/15/16			NTS			