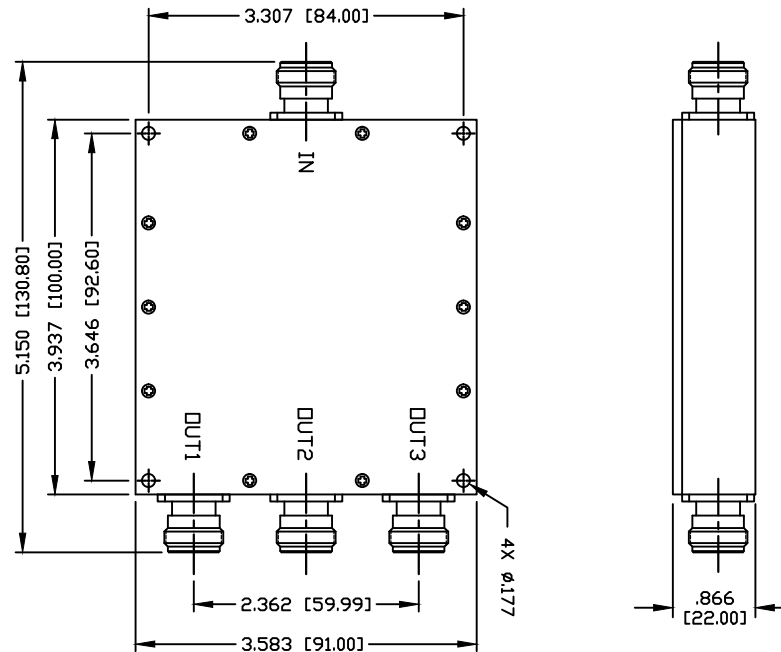


PART NO.

RFPSW-3-NF

REV	DESCRIPTION	DWN	DATE	APPROVED
B	UPDATED SPECS	CZS	09/29/19	JDMc

**SPECIFICATIONS:**

IMPEDANCE: 50 Ohms
 FREQUENCY RANGE: 617–2700 MHz
 INPUT PORT NUMBER: 1
 OUTPUT PORT NUMBER: 3
 SPLIT LOSS: 4.8dB
 INSERTION LOSS: ≤ 0.7 dB
 ISOLATION: ≥ 19 dB
 VSWR: ≤ 1.35
 TOTAL INPUT POWER: 50W
 3RD INTERMODULATION: -153 dBc (RELATIVE TO CARRIER)
 3RD INTERMODULATION TEST METHOD: 2×43 dBm CARRIERS
 TEMPERATURE RANGE: $-30^{\circ}\text{C} \sim +70^{\circ}\text{C}$
 APPLICATION: INDOOR/OUTDOOR
 REGULATORY COMPLIANCE/CERTIFICATIONS: RoHS/IP65
 COLOR: BLACK

NOTES:

ALL CONNECTORS WILL HAVE PROTECTIVE CAPS ON

CUSTOMER OUTLINE DRAWING <hr/> ALL DIMENSIONS ARE REFERENCE ONLY <hr/> UNLESS OTHERWISE SPECIFIED: DIMENSIONS ARE IN INCHES AND [MILLIMETERS]		RoHS COMPLIANT		RFconnectors DIVISION OF RF INDUSTRIES, LTD.		7610 MIRAMAR RD. SAN DIEGO, CA 92126 (858) 549-6340 (858) 549-6345 FAX	
DRAWN C. ZUNIGA		09/29/19		3 WAY POWER SPLITTER N FEMALE - WILKINSON			
CHECKED				SIZE A	CABLE GROUP	DWG NO. RFPSW-3-NF	REVISION B
ORJ DRAWN C. ZUNIGA		04/16/19		SCALE: NTS	ENGINEERING ID: 000000	SHEET 1 OF 1	

PROPRIETARY AND CONFIDENTIAL
 THIS DRAWING CONTAINS
 INFORMATION PROPRIETARY TO
 RF INDUSTRIES, ANY
 UNAUTHORIZED USE OF THIS
 DRAWING IS EXPRESSLY
 PROHIBITED WITHOUT WRITTEN
 PERMISSION FROM RF
 INDUSTRIES. ANY VIOLATION IS
 PUNISHABLE UNDER U.S.
 COPYRIGHT LAWS.