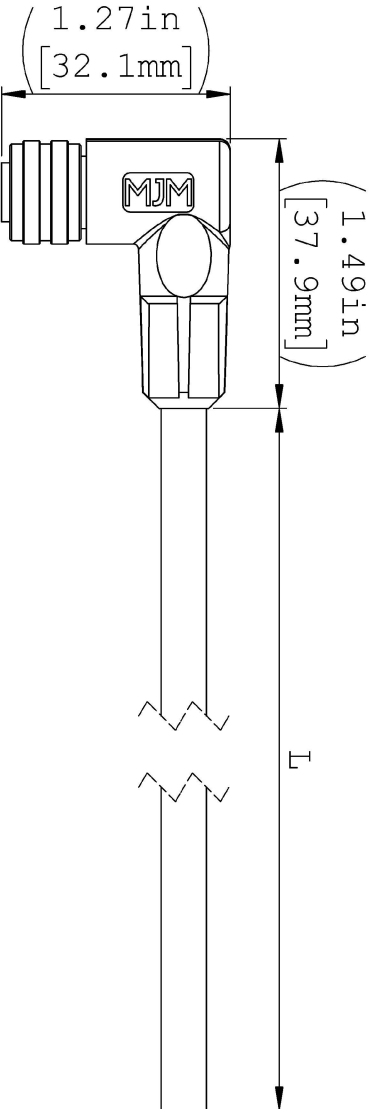


Assembly Specifications	
Temp Rating	-20 to 80 C
Max Voltage	30V
Max Current	2A
IP Protection	IP 67
Length (L)	197in / 5004mm
Tolerance	+4.0in -4.0in

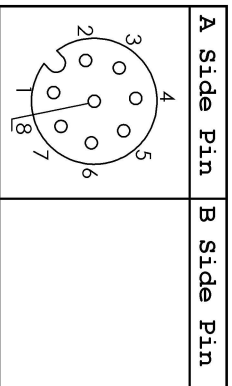
Wiring Schematic		
A Pin #	Conductor Color	B Pin #
1	Black	1
2	Red	2
3	Blue	3
4	Orange	4
5	Yellow	5
6	Brown	6
7	Red/Black	7
8	Blue/Black	8
Shield	Attached	Shield

Cable Specifications	
Cable Jacket	PVC
Cable OD	0.24in / 6.0mm
No./Gauge	M46B-824
Conductor Jacket	PVC
Shielding	Yes

**A SIDE**



**B SIDE**



**Notes**

- 1) Connector pin view is from front of connector
- 2) Not for interrupting current
- 3) Some options and features may not be shown
- 4) Additional technical details available upon request; Consult Factory
- 5) Dimension in parentheses are for reference only



Date Gen: 4/18/24

REV	BY	DATE	DESCRIPTION
0	MMG	01/04/22	Initial Release
1	MMG	03/16/22	Production Release

1200 East St, Fairport, OHIO 44077

PH: (440) 350-1230 [www.mjmindustries.com](http://www.mjmindustries.com)

Part Number: **M12A08F9-0197B-X01**

Description: M12 A Coded 8 Position Female 90 to Blunt Cut with 197in of PVC Cable

Tolerance Unless Otherwise Specified  
 0.00 = +/- 0.13  
 0.000 = +/- 0.050  
 ANGLES = +/- 5  
 Secondary Unit for Reference Only