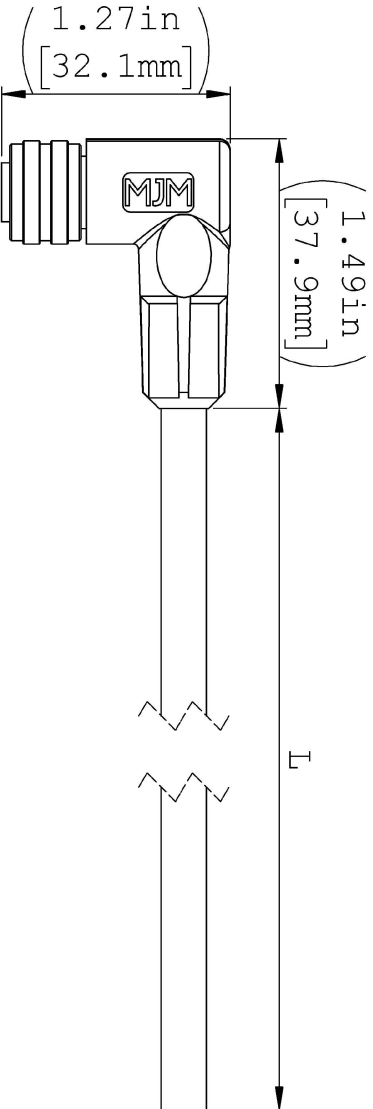


Assembly Specifications	
Temp Rating	-20 to 80 C
Max Voltage	250V
Max Current	4A
IP Protection	IP 67
Length (L)	119in / 3023mm
Tolerance	+2.0in -2.0in

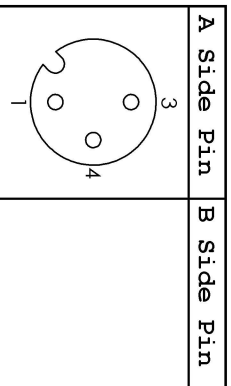
Wiring Schematic		
A Pin #	Conductor Color	B Pin #
1	Black	1
2	Red	2
3	Blue	3
4		4
5		5
6		6
7		7
8		8
	Shield	Shield

Cable Specifications	
Cable Jacket	PVC
Cable OD	0.17in / 4.3mm
No. /Gauge	M46A-322
Conductor Jacket	PVC
Shielding	No

A SIDE



B SIDE



Notes

- 1) Connector pin view is from front of connector
- 2) Not for interrupting current
- 3) Some options and features may not be shown
- 4) Additional technical details available upon request; Consult Factory
- 5) Dimension in parentheses are for reference only



Date Gen: 4/18/24

REV	BY	DATE	DESCRIPTION
0	MMG	01/04/22	Initial Release
1	MMG	03/16/22	Production Release

Tolerance Unless
Otherwise Specified
0.00 = +/- 0.13
0.000 = +/- 0.050
ANGLES = +/- 5
Secondary Unit for
Reference Only

1200 East St, Fairport, OHIO 44077

PH: (440) 350-1230 www.mjmindustries.com

Part Number:
M12A03F9-0119A-X01

Description:
M12 A Coded 3 Position Female 90 to Blunt Cut with
119in of PVC Cable