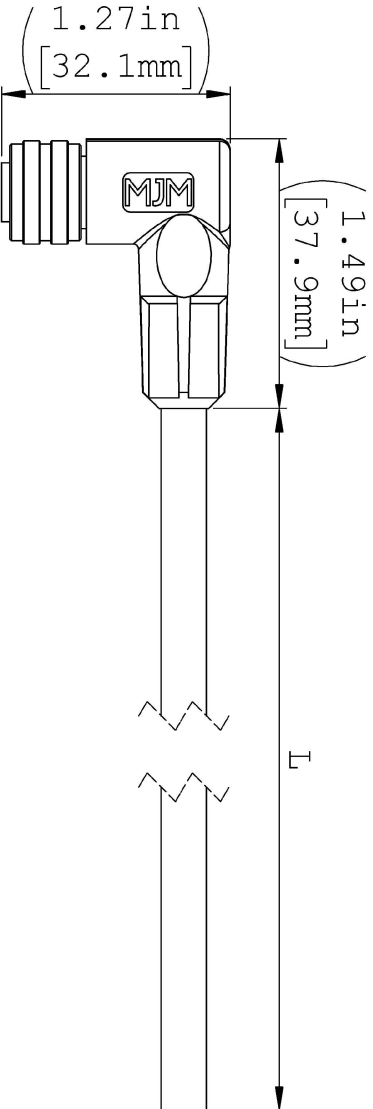


| Assembly Specifications | |
|-------------------------|---------------|
| Temp Rating | -20 to 80 C |
| Max Voltage | 250V |
| Max Current | 4A |
| IP Protection | IP 67 |
| Length (L) | 79in / 2007mm |
| Tolerance | +2.0in -2.0in |

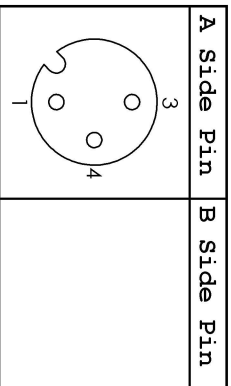
| Wiring Schematic | | |
|------------------|-----------------|---------|
| A Pin # | Conductor Color | B Pin # |
| 1 | Black | 1 |
| 2 | Red | 2 |
| 3 | Blue | 3 |
| 4 | | 4 |
| 5 | | 5 |
| 6 | | 6 |
| 7 | | 7 |
| 8 | | 8 |
| | Shield | Shield |

| Cable Specifications | |
|----------------------|----------------|
| Cable Jacket | PVC |
| Cable OD | 0.17in / 4.3mm |
| No. /Gauge | M46A-322 |
| Conductor Jacket | PVC |
| Shielding | No |

A SIDE



B SIDE



Notes

- 1) Connector pin view is from front of connector
- 2) Not for interrupting current
- 3) Some options and features may not be shown
- 4) Additional technical details available upon request; Consult Factory
- 5) Dimension in parentheses are for reference only



Date Gen: 4/18/24

| REV | BY | DATE | DESCRIPTION |
|-----|-----|----------|--------------------|
| 0 | MMG | 01/04/22 | Initial Release |
| 1 | MMG | 03/16/22 | Production Release |

Tolerance Unless
Otherwise Specified
0.00 = +/- 0.13
0.000 = +/- 0.050
ANGLES = +/- 5
Secondary Unit for
Reference Only



1200 East St, Fairport, OHIO 44077
 PH: (440) 350-1230 www.mjmindustries.com
 Part Number:
M12A03F9-0079A-X01
 Description:
 M12 A Coded 3 Position Female 90 to Blunt Cut with
 79in of PVC Cable