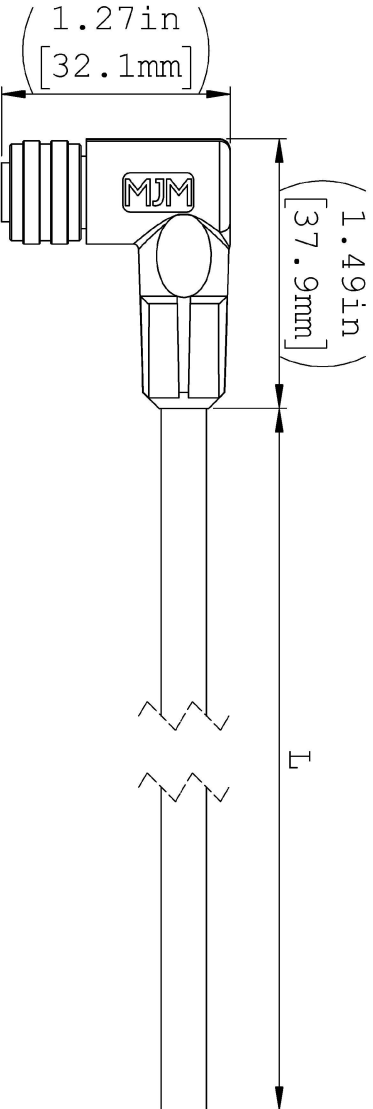


Assembly Specifications	
Temp Rating	-20 to 80 C
Max Voltage	250V
Max Current	4A
IP Protection	IP 67
Length (L)	40in / 1017mm
Tolerance	+2.0in -2.0in

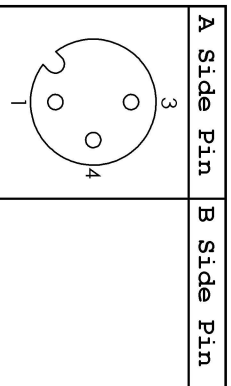
Wiring Schematic		
A Pin #	Conductor Color	B Pin #
1	Black	1
2	Red	2
3	Blue	3
4		4
5		5
6		6
7		7
8		8
Shield	Attached	Shield

Cable Specifications	
Cable Jacket	PUR
Cable OD	0.19in / 4.8mm
No. /Gauge	M46D-322
Conductor Jacket	PVC
Shielding	Yes

**A SIDE**



**B SIDE**



**Notes**

- 1) Connector pin view is from front of connector
- 2) Not for interrupting current
- 3) Some options and features may not be shown
- 4) Additional technical details available upon request; Consult Factory
- 5) Dimension in parentheses are for reference only



Date Gen: 4/17/24

REV	BY	DATE	DESCRIPTION
0	MMG	01/04/22	Initial Release
1	MMG	03/16/22	Production Release

Tolerance Unless Otherwise Specified  
 0.00 = +/- 0.13  
 0.000 = +/- 0.050  
 ANGLES = +/- 5  
 Secondary Unit for Reference Only



1200 East St, Fairport, OHIO 44077  
 PH: (440) 350-1230 www.mjmindustries.com  
 Part Number:  
**M12A03F9-0040D-X01**  
 Description:  
 M12 A Coded 3 Position Female 90 to Blunt Cut with  
 40in of PUR Cable