

ELECTRICAL SPECIFICATION:

Parameters	Symbol	Value	Note
Input Voltage	VIN	2.75V~5.5V	
Output Voltage	VOUT	0.6V~3.3V	
Output Current	IOUT	3A	
Enable Voltage	EN	1.2V~5V	
External VDD	VDD	3.3V~5V	

PROGRAMMING OUTPUT VOLTAGE:

PROGRAMMING OUTPUT VOLTAGE:

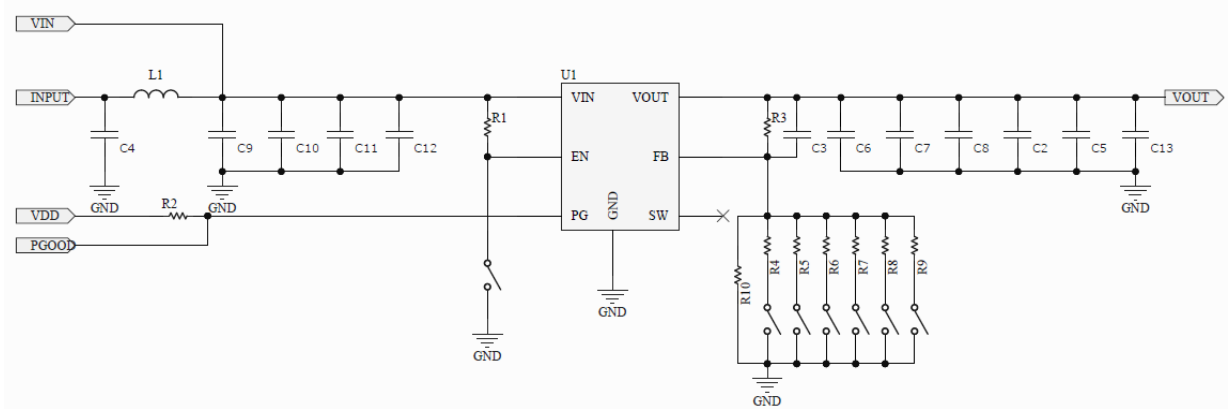
For MUN3CAD03-SE adjustable Vout version. The output voltage can be programmed by the dividing resistor RFB_top and RFB_bot, Assume RFB_top set 200 Kohm, the output voltage can be calculated as shown in Equation 1 and the resistance according to typical output voltage is shown in TABLE 1.

$$VOUT (V) = 0.6 \times \left(1 + \frac{RFB_top}{RFB_bot} \right) \quad (EQ.1)$$

Vout (V)	RFB_top (kΩ)	RFB_bot(kΩ)
1.0	200	300
1.2	200	200
1.8	200	100
2.5	200	63.158
3.3	200	44.444

TABLE.1 RESISTOR VALUES FOR COMMON OUTPUTVOLTAGES

EVALUATION BOARD SCHEMATIC:

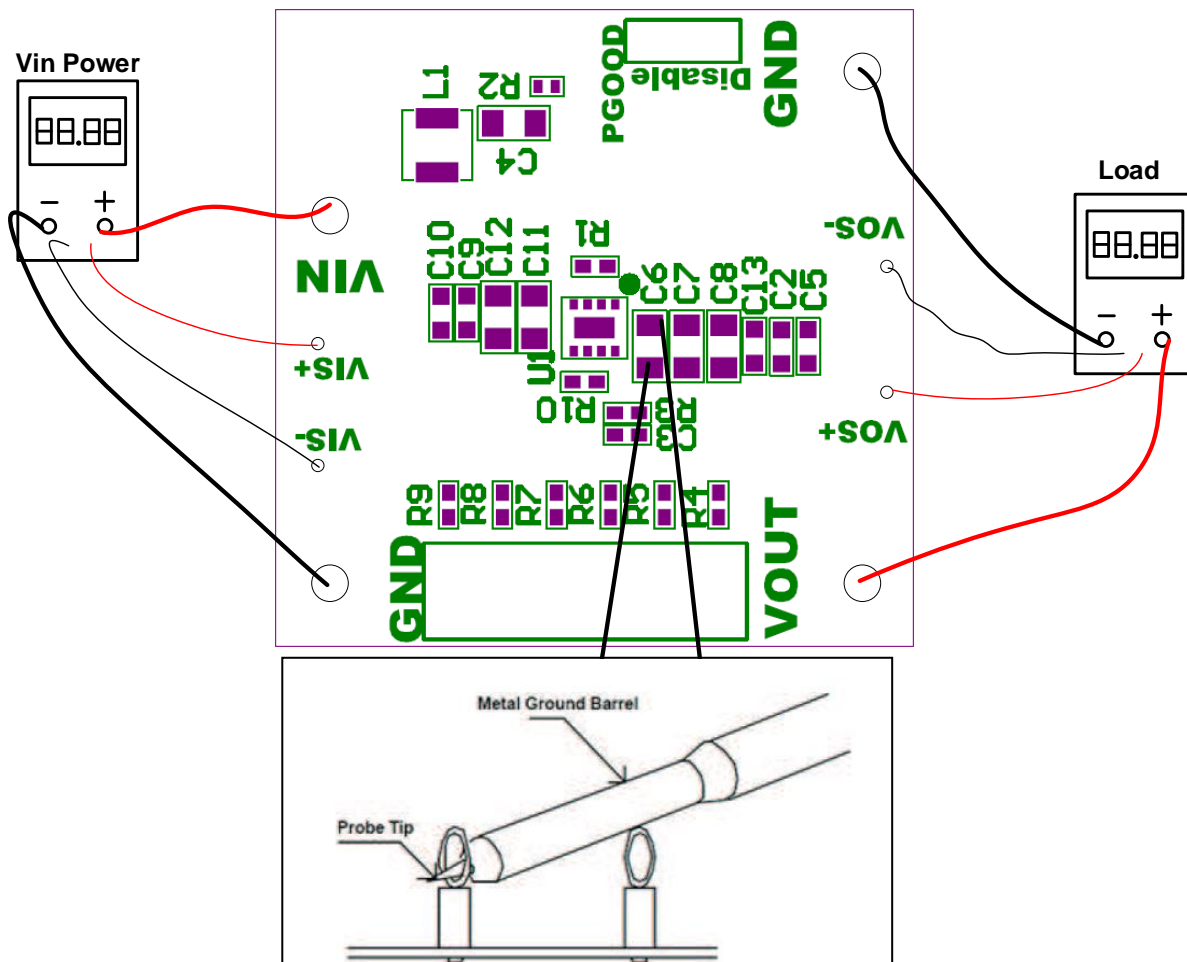


QUICK START GUIDE:

1. Give the Vin Power to the module while Disable jump open.
2. Short S1~S6 can set output voltage from 1.0V to 3.3V (only for MUN3CAD03-SE)

	S1	S2	S3	S4	S5	S6
Vout	1V	1.2V	1.8V	2.5V	3.3V	N.C

3. Power module can be turned off by shorting disable jump.





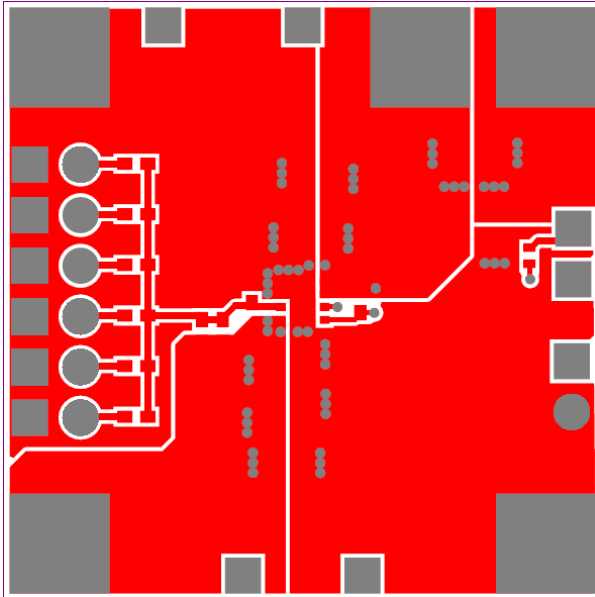
MUN3CAD03-SE EVB GUIDE

BOM LIST:

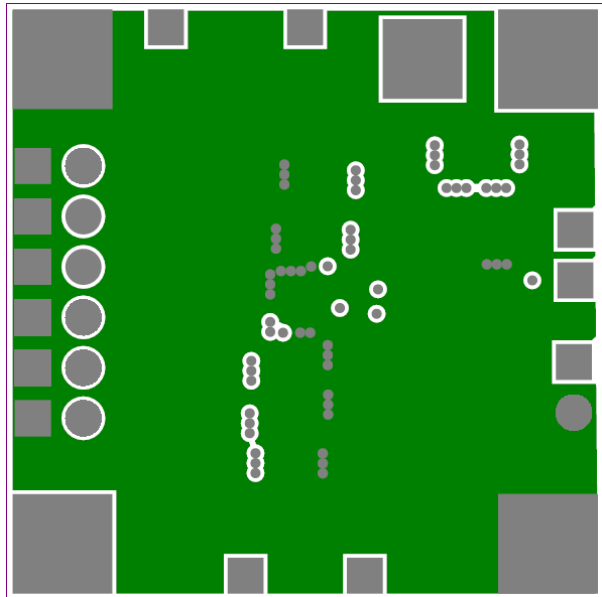
For MUN3CAD03-SE

COUNT	REF DES	DESCRIPTION	PART NUMBER	MFR
1	U1	Power module, 3.0*2.8*1.3mm	MUN3CAD03-SE	Cyntec
1	C6	MLCC, 47uF, 6.3V, X5R, 0805	GRM21BR60J476M	Murata
1	C11	MLCC, 22uF, 6.3V, X7T, 0805	GRM21BD70J226ME44L	Murata
1	R1, R2	Resistor, 100kOhm, $\pm 1\%$, 0402	Std	Std
1	R3	Resistor, 200kOhm, $\pm 1\%$, 0402	Std	Std
1	R4	Resistor, 300kOhm, $\pm 1\%$, 0402	Std	Std
1	R5	Resistor, 200kOhm, $\pm 1\%$, 0402	Std	Std
1	R6	Resistor, 100kOhm, $\pm 1\%$, 0402	Std	Std
1	R7	Resistor, 63.4kOhm, $\pm 1\%$, 0402	Std	Std
1	R8	Resistor, 44.2kOhm, $\pm 1\%$, 0402	Std	Std
0	Others	N.C	-	-

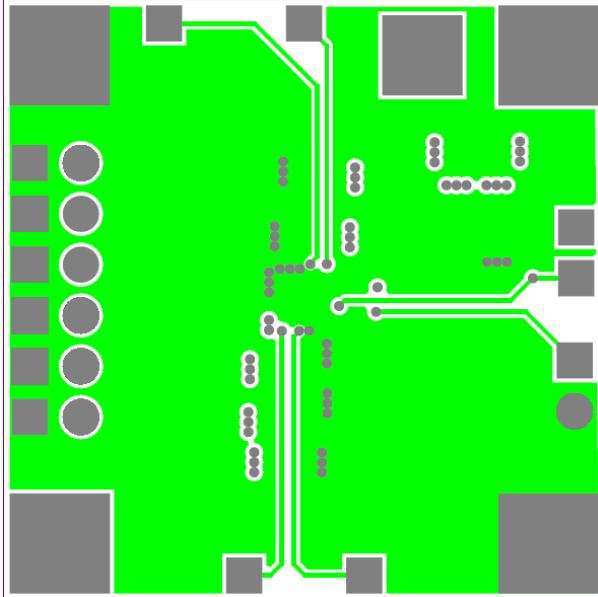
PRINTED CIRCUIT BOARD LAYOUT:



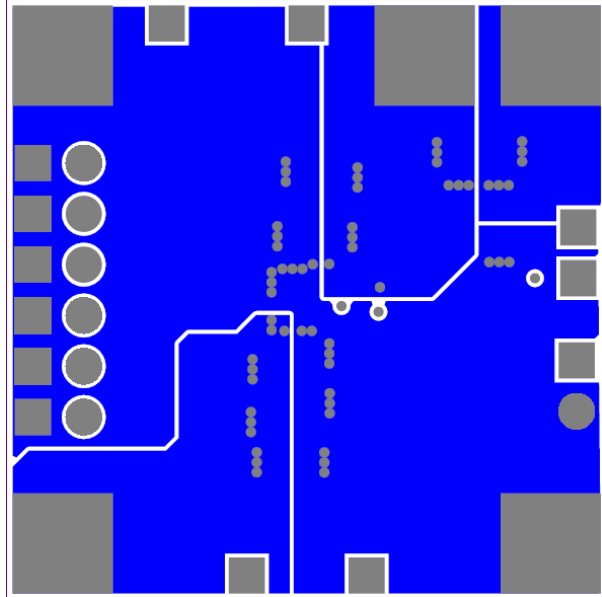
Top Layer



Mid 1 Layer



Mid 2 Layer



Bottom Layer



MUN3CAD03-SE EVB GUIDE

REVISION HISTORY:

Date	Revision	Changes
2021.12.09	P00	Initial preliminary EVB guide.
2022.01.04	P01	Modify the BOM list.