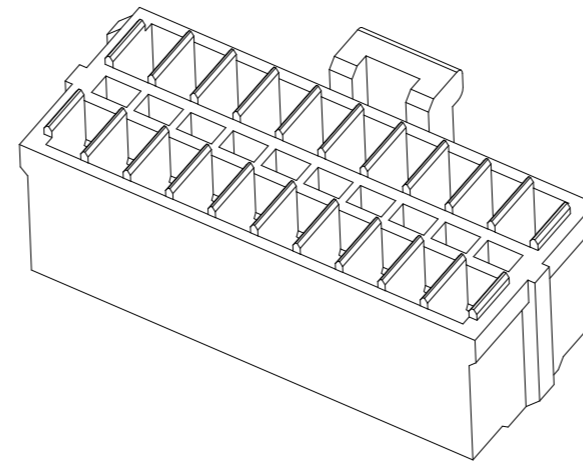
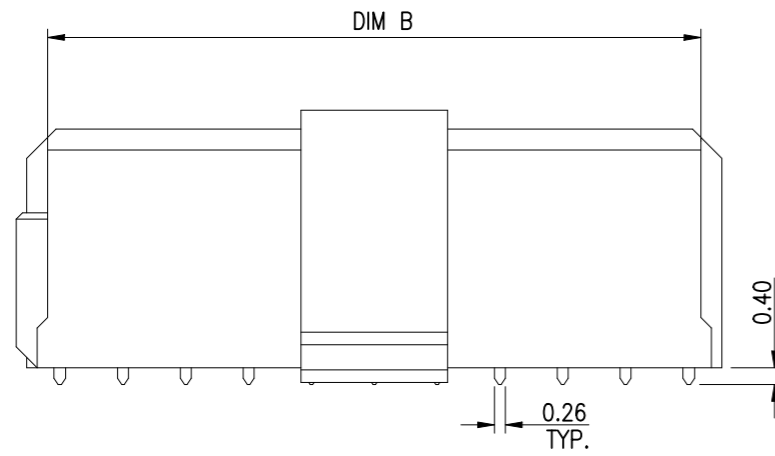
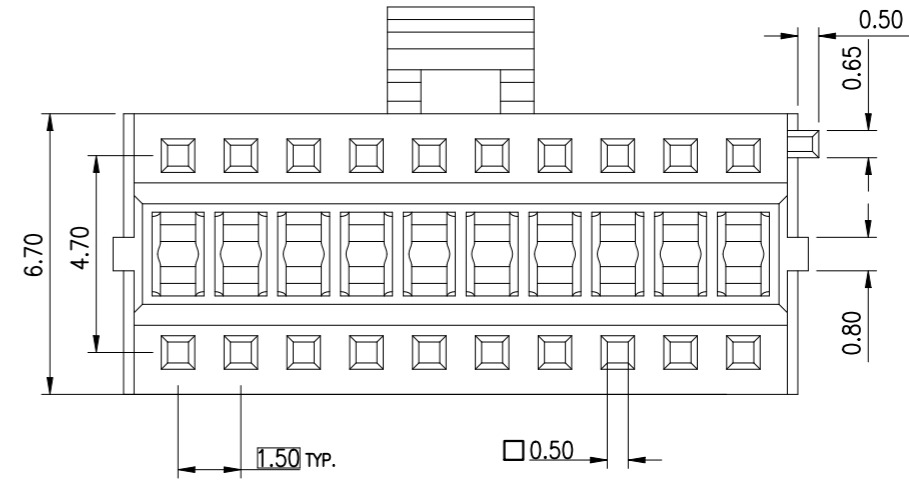
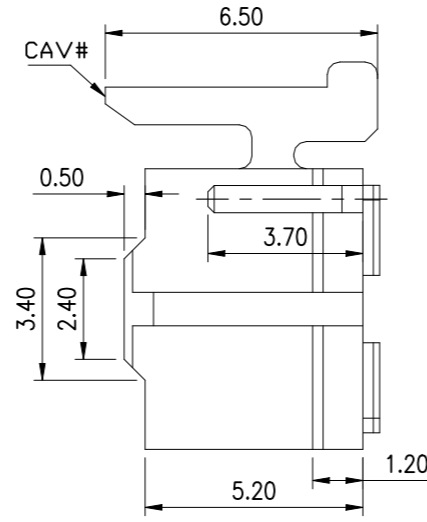
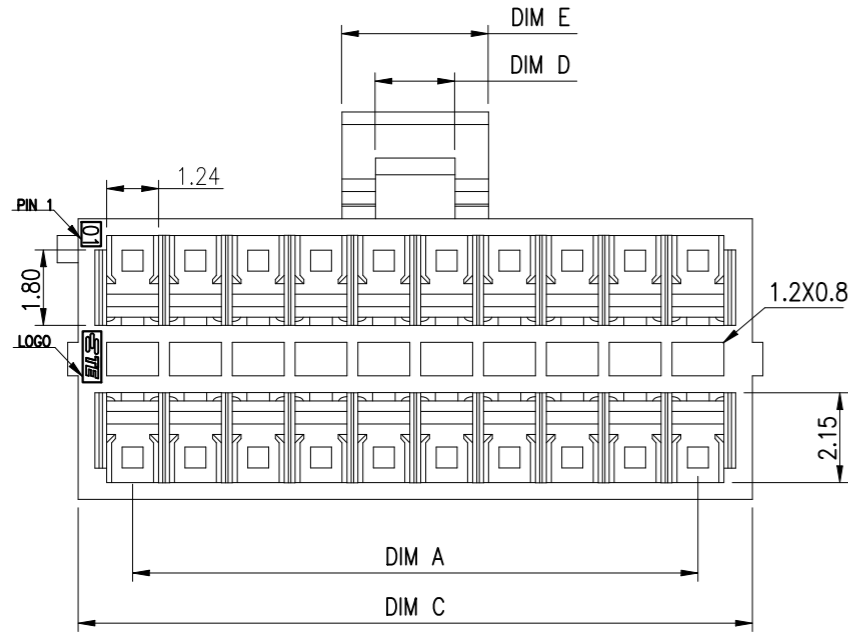


P	LTR	DESCRIPTION	DATE	DWN	APVD
	A1	ECR-21-121877	14JUN2022	J.J	H.L



NOTES:
 1. MATERIAL:
 HOUSING: HALOGEN FREE PLASTIC,
 UL94V-0; COLOR: NATURAL

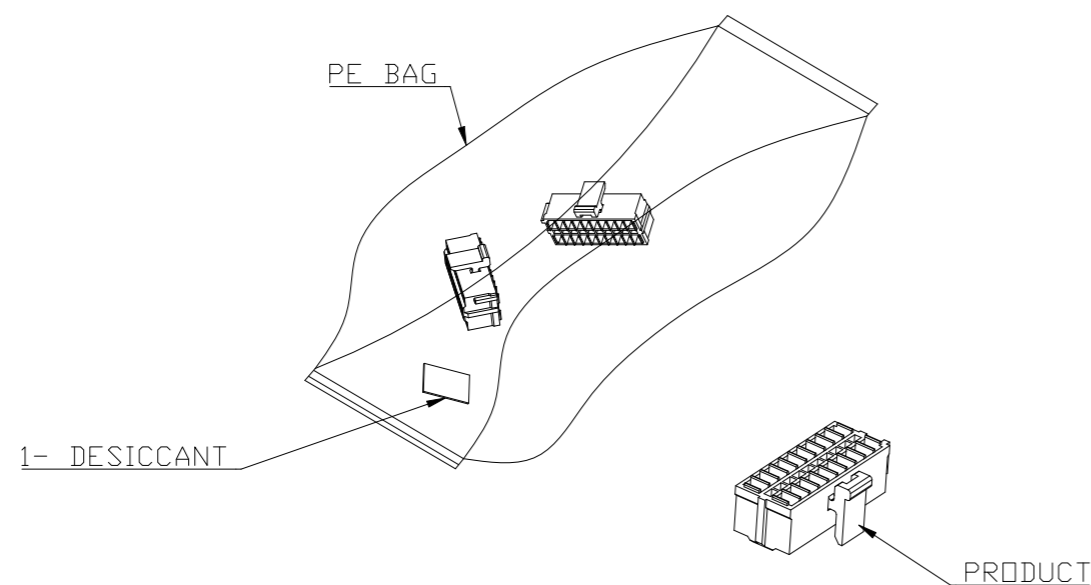
5.00	3.40	31.10	30.60	28.50	40	2394528-4
5.00	3.40	23.60	23.10	21.00	30	2394528-3
3.50	1.90	16.10	15.60	13.50	20	2394528-2
3.50	1.90	8.60	8.10	6.00	10	2394528-1
DIM E	DIM D	DIM C	DIM B	DIM A	Pos.No	P/N

THIS DRAWING IS A CONTROLLED DOCUMENT.		DWN Tommy Qian 12APR2021	TE Connectivity Ltd.				
DIMENSIONS: mm		CHK Niki Shi 12APR2021					NAME
TOLERANCES UNLESS OTHERWISE SPECIFIED:		APVD Niki Shi 12APR2021	PRODUCT SPEC				
0 PLC ± 0.5 1 PLC ± 0.25 2 PLC ± 0.15 3 PLC ± 0.1 4 PLC ± - ANGLES ± 2°		108-115188		1.5mm PITCH WT B Conn. CABLE HOUSING, DOUBLE ROW			
MATERIAL		PRODUCT SPEC	APPLICATION SPEC	SIZE	CAGE CODE	DRAWING NO	RESTRICTED TO
NOTE 1		FINISH		WEIGHT		N/A	
NOTE 2		CUSTOMER DRAWING		SCALE		SHEET	
				N/A		1 OF 2	
						REV A1	

REVISIONS

P	LTR	DESCRIPTION	DATE	DWN	APVD
-	-	SEE SHEET 1	-	-	-

1.AFTER QC,PLACE THE PRODUCT INTO THE BAG AS DRAWING SHOWN



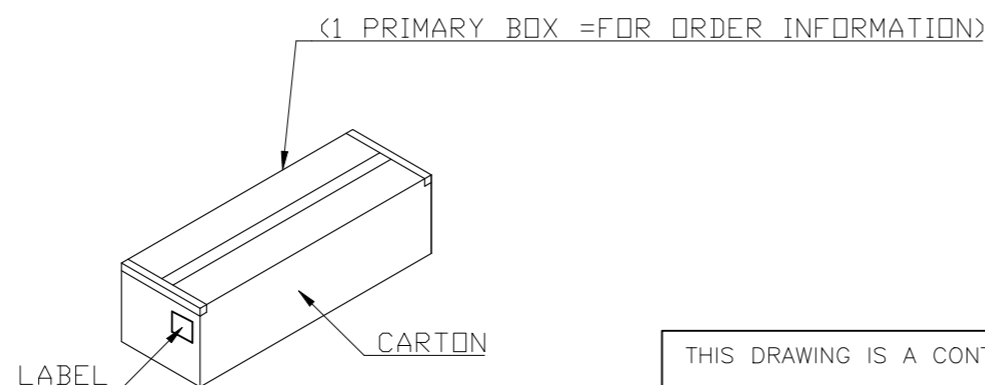
NOTES:

1. STAPLES SHOULD ONLY BE USED TO SET UP CARTON. ALL CARTON CLOSURES MUST BE DONE WITH TAPE.
2. FILL PACKAGING BAG WITH THE QUANTITIES AS INDICATED IN THE CHART.

TABLE:

PART NO	(S.P.Q)	PARTS PER BOX	PER BAG
2394528-1	13000	10	1300
2394528-2	10000	10	1000
2394528-3	7000	10	700
2394528-4	5000	10	500

2.PLACE THE BAGS INTO THE BOX



THIS DRAWING IS A CONTROLLED DOCUMENT.

DIMENSIONS: mm	TOLERANCES UNLESS OTHERWISE SPECIFIED:
	0 PLC ± 0.5
	1 PLC ± 0.25
	2 PLC ± 0.15
	3 PLC ± 0.1
	4 PLC ± -
	ANGLES ± 2°

MATERIAL - FINISH -

DWN	Tommy Qian	12APR2021
CHK	Niki Shi	12APR2021
APVD	Niki Shi	12APR2021
PRODUCT SPEC	108-118155	
APPLICATION SPEC	-	
WEIGHT	-	

STE TE Connectivity Ltd.

NAME		1.5mm PITCH WTB Conn. SMT VERTICAL TYPE DOUBLE ROW	
SIZE	CAGE CODE	DRAWING NO	RESTRICTED TO
A3	00779	C-2394528	-
CUSTOMER DRAWING		SCALE	SHEET
		N/A	2 OF 2
		REV	A1