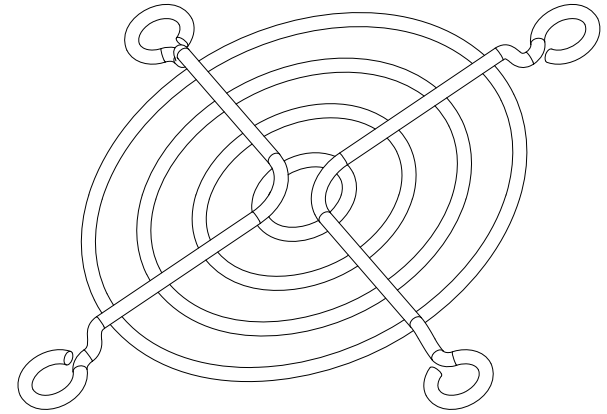
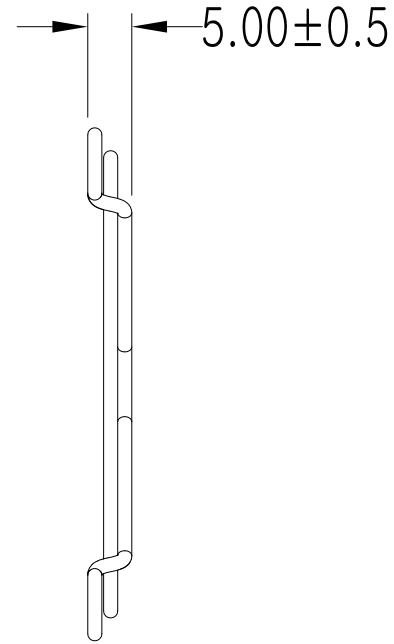
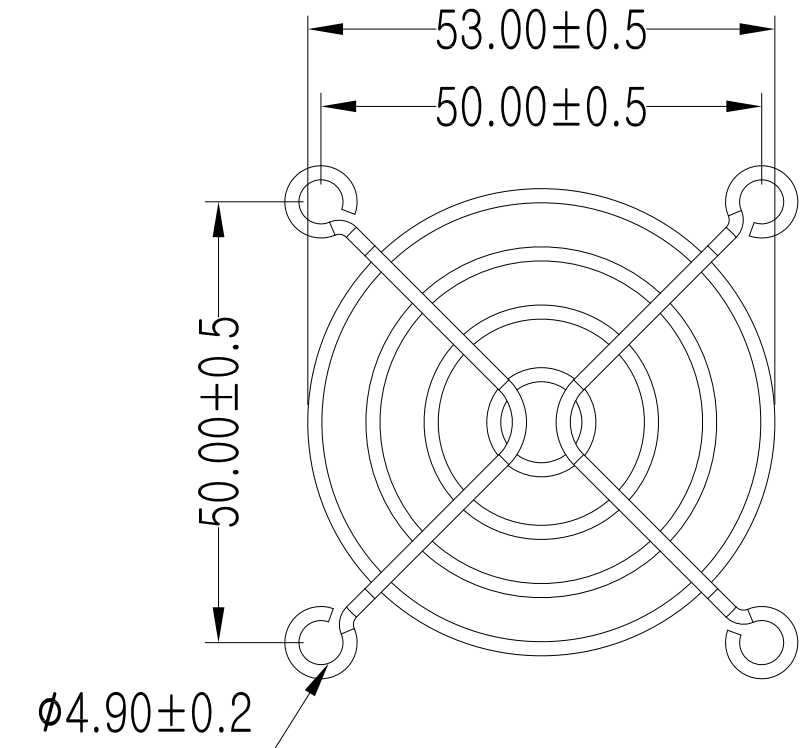


REVISED RECORD				
REV NO.	CONTENT	CHG BY	DATE	APPROVED BY
A0.		Gavin	2014/01/18	



Fits for Fan Size:

- 60*60*10mm 60*60*15mm 60*60*20mm
- 60*60*25mm 60*60*38mm

Specifications:

- *Materials: Bright basic wire.
- *Finish: bright nickel chrome plating.
- *(1) Rings are ϕ1.6 ± 0.1
- *(2) Ribs are ϕ1.6 ± 0.1
- *Weld joints to withstand 88 lbs pull force.
- *Part meets ϕ6.35mm plug gauge test.

Product dimension Gen. Tol. : ±0.05		Control Dimensions		x.xxx		For QC Check	
DWG REV		UNLESS OTHERWISE SPECIFIED TOLERANCES		COOLTRON INDUSTRIAL SUPPLY, INC.			
DATE		X.XXX/FL ± 0.127	UNITS				
2014/01/18		X.XX ± 0.254	MM				
A0	DRAWN	Gavin	DATE	2014/01/18	TITLE: FGW-060A-1		
A1	CHECKED		DATE		Drawing Number:		
A2	APPROVED		DATE		Process:	SCALE 1:1	SHT OF
A3	THIRD ANGLE		PROJECT		A total of one page The first page		