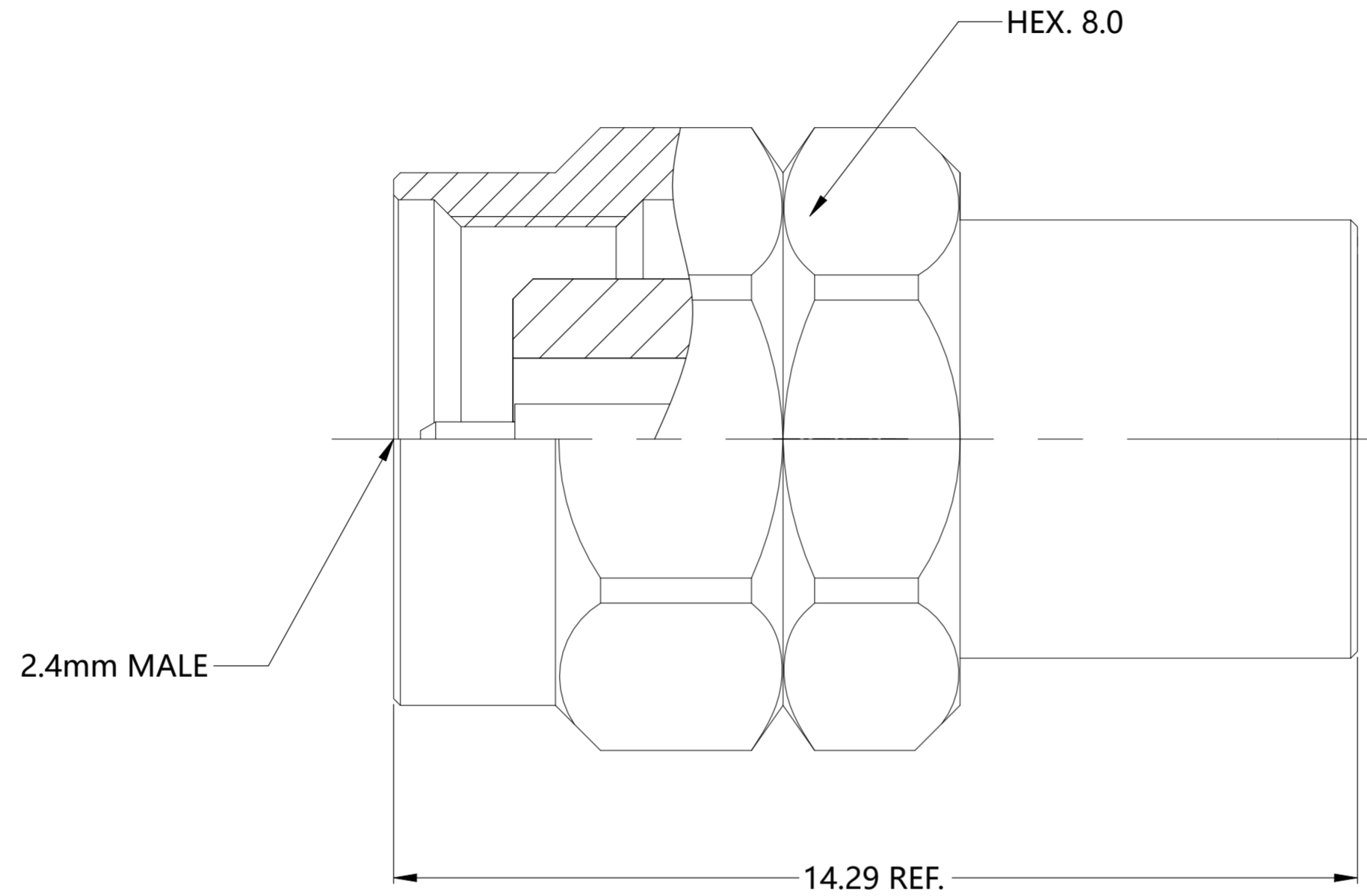


REVISIONS				
P	LTR	DESCRIPTION	DATE	APVD
	A	GTP(ECN-23-233085)	28SEP2023	ED WH



NOTES:

- 1 PACK IN ACCORDANCE WITH TE SPEC 107-3275;
- 2 ALL DIMENSIONS ARE NOMINAL FOR REFERENCE ONLY UNLESS OTHERWISE STATED;
- 3 ELECTRICAL CHARACTERISTICS :
 FREQUENCY RANGE : DC-50GHz
 NOMINAL IMPEDANCE : 50 OHMS
 POWER RATING:1W
 VSWR : 1.3(DC-50GHz)
- 4 MECHANICAL CHARACTERISTICS :
 DURABILITY : 500 CYCLES
 TORQUE SETTING : 7-10 IN-LBS;
- 5 TEMPERATURE RANGE: -40°-+125°;
- 6 RoHS: COMPLIANT.

QUANTITY PER ASSY	PARTS LIST
1	GOLD 50u"/ NICKEL/COPPER BERYLLIUM COPPER CENTER CONTACT 3
1	/ PEI INSULATOR 2
1	PASSIVATION STAINLESS STEEL BODY 1
2467900-1	PLATING MATERIAL DESCRIPTION ITEM

THIS DRAWING IS A CONTROLLED DOCUMENT.		DWN ED 28SEP2023														
DIMENSIONS: mm		CHK ED 28SEP2023														
TOLERANCES UNLESS OTHERWISE SPECIFIED:		APVD WH 28SEP2023	NAME 2.4MM MALE TERMINATION, STRAIGHT,50GHZ													
<table border="1"> <tr><td>0 PLC</td><td>± 0.3</td></tr> <tr><td>1 PLC</td><td>± 0.2</td></tr> <tr><td>2 PLC</td><td>± 0.1</td></tr> <tr><td>3 PLC</td><td>± -</td></tr> <tr><td>4 PLC</td><td>± -</td></tr> <tr><td>ANGLES</td><td>± 5°</td></tr> </table>		0 PLC	± 0.3	1 PLC	± 0.2	2 PLC	± 0.1	3 PLC	± -	4 PLC	± -	ANGLES	± 5°	PRODUCT SPEC -	RESTRICTED TO -	
0 PLC	± 0.3															
1 PLC	± 0.2															
2 PLC	± 0.1															
3 PLC	± -															
4 PLC	± -															
ANGLES	± 5°															
MATERIAL SEE TABLE		APPLICATION SPEC -	SIZE A2	CAGE CODE 00779	DRAWING NO C=2467900											
CUSTOMER DRAWING			SCALE 8:1	SHEET 1 OF 1	REV A											