



The newly designed EPT2100 is an ideal pressure transducer for various cost sensitive applications.

The silicon measuring cells used within this design coupled with the high level output circuitry, assures excellent accuracy and long term stability within a light weight design.

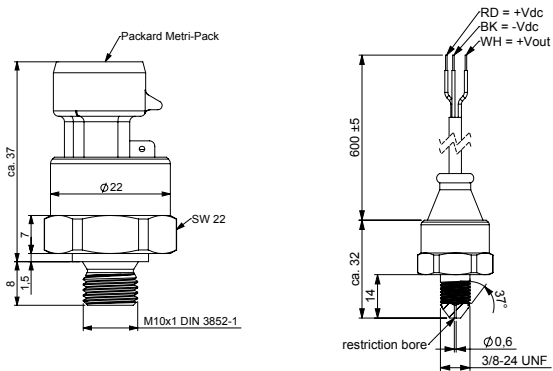
The silicon sensing element is compatible with many medias, including oil, compressed air and dry non aggressive gases and is suitable for applications with measuring ranges from 250 mbar to 40 bar.

Specifications		
Performance		
Accuracy @ RT	% of the range < 1.00 (< 0.5 optional) BFSL ≤ 0.25	(incl. nonlinearity, hysteresis, repeatability, zero-offset and final offset acc. to IEC 61298-2)
Non-linearity	% of the range ≤ 0.15	
Repeatability	% of the range ≤ 0.10	
Stability/year	% of the range ≤ 0.10	
Overrange pressure	up to 2x rated pressure / max 69bar	
Burst pressure	up to 5x rated pressure / max 103bar	
Pressure cycles	> 10 million	
Environment		
Temperature [°C]:		
Measuring medium	-40...125	
Ambience	-40...105 (85 for 4..20mA output)	
Storage	-40...105	
Compensated range	-20...85	
Temperature coefficient within the compensated range:		
Mean TC offset	% of the range ≤ 0,15 / 10K	
Mean TC range	% of the range ≤ 0,15 / 10K	
Shock	1000 G, 11 msec., 1/2 Sine	
Vibration	16 G peak, 20 to 2000 Hz	
Sealing	IP66	



Specifications	
Electronics	
Excitation	5 VDC for 0.5 – 4.5 V output, 10 - 32 VDC for 0 - 5 V, 1 - 5 V, 4...20 mA output 12 - 32 VDC for 0 – 10V output
Current consumption	< 7.5 mA
Short circuit protection	Yes
Reverse voltage protection	Yes
Mechanics	
Housing	304 stainless steel
Wetted parts	Silicon, Aluminium, Silicone adhesive, Stainless Steel 304, NBR O-Ring seal
Pressure port	see select table
Electrical connection	see select table
Weight	ca. 25 g

Dimensions



Connection colour codes

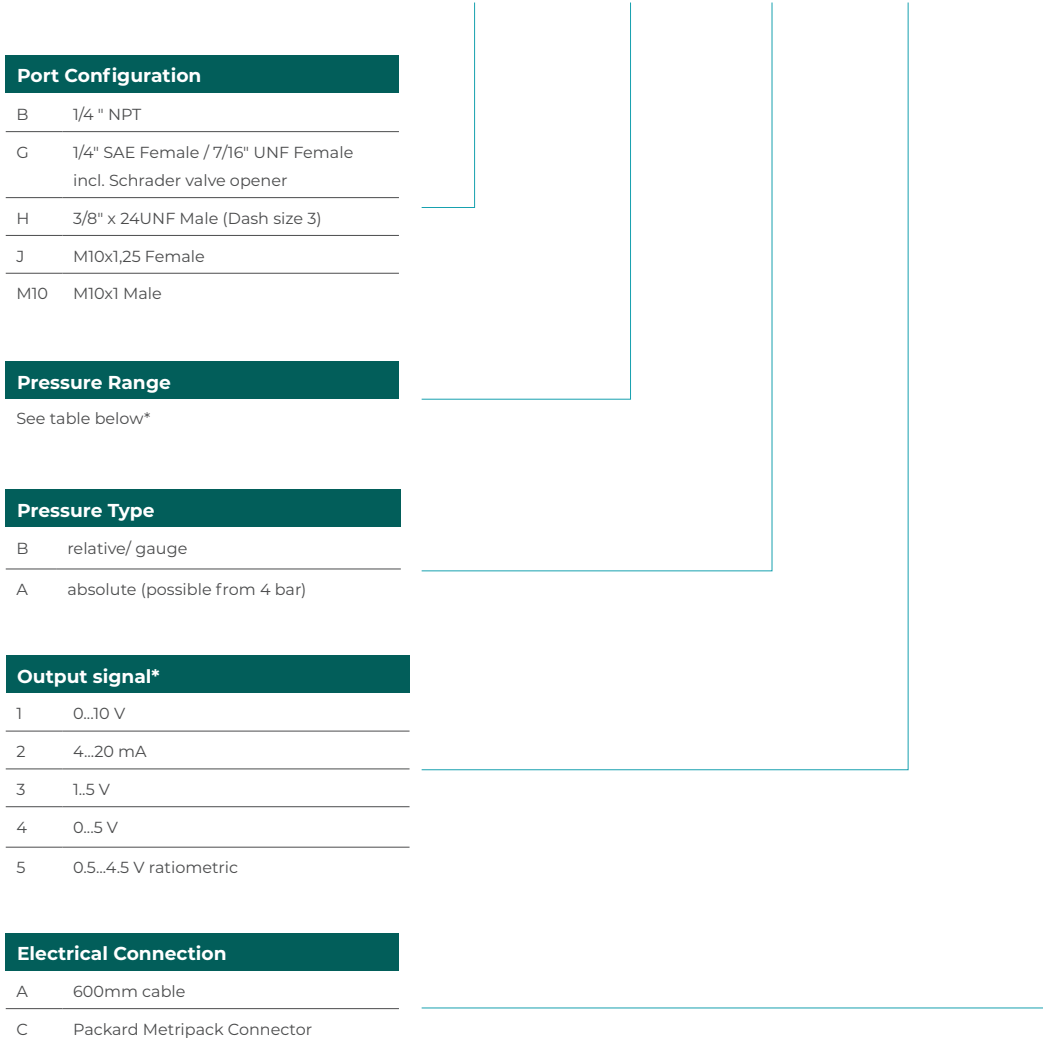
Type	Output	PIN A	PIN B	PIN C
Packard	0.5 - 4.5V, 1 - 5 V, 0 - 10 V	- Supply	+ Supply	Output +
	4..20mA	Current output -	+ Supply	N/A
Cable	Output	Red	Black	White
	0.5 - 4.5V, 1 - 5 V, 0 - 10 V	+ Supply	- Supply	Output +
	4..20mA	+ Supply	Current output -	N/A



Ordering information

(Please use the characters in the chart below to create your product code)

Sample Code EPT2100 - H - 01000 - B - 5 - A



Port Configuration

B	1/4" NPT
G	1/4" SAE Female / 7/16" UNF Female incl. Schrader valve opener
H	3/8" x 24UNF Male (Dash size 3)
J	M10x1,25 Female
M10	M10x1 Male

Pressure Range

See table below*

Pressure Type

B	relative/ gauge
A	absolute (possible from 4 bar)

Output signal*

1	0...10 V
2	4...20 mA
3	1.5 V
4	0...5 V
5	0.5...4.5 V ratiometric

Electrical Connection

A	600mm cable
C	Packard Metripack Connector

Notes:
 * Not all configurations are possible, please contact our sales team to verify your configuration
 Custom options available on request
 The EPT2100 series are backed by a 1 Year Warranty. The purchaser is responsible for compatibility of the media, functional adequacy and correct installation of the transmitter.

* Pressure Range												
Bar	0.25	0.6	1.0	1.6	2.5	4	6	10	16	25	35	40
Order Code	00025	00060	00100	00160	00250	00400	00600	01000	01600	02500	03500	04000

The following models are typically available from stock: EPT2100-H-01000-B-5-A
 EPT2100-H-01600-B-5-A

If you require a customized solution for your program contact our sales team.