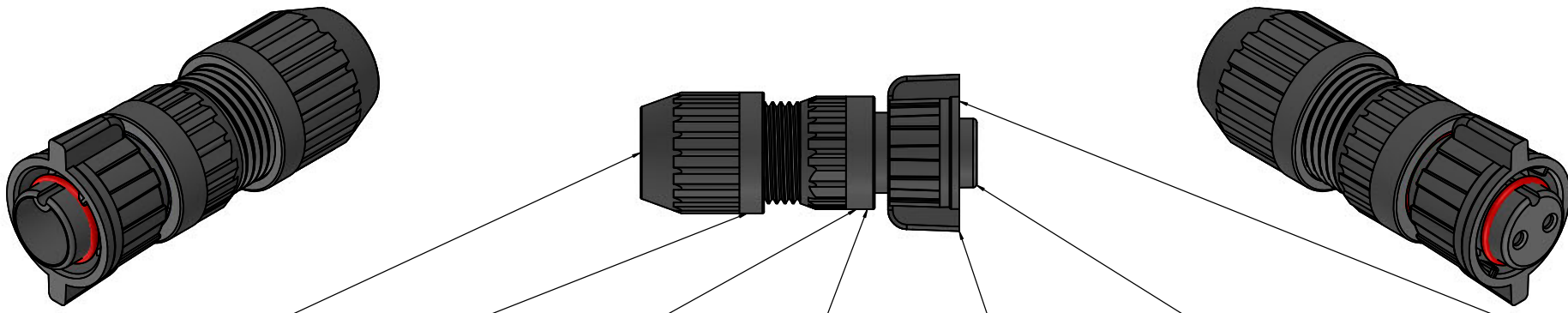
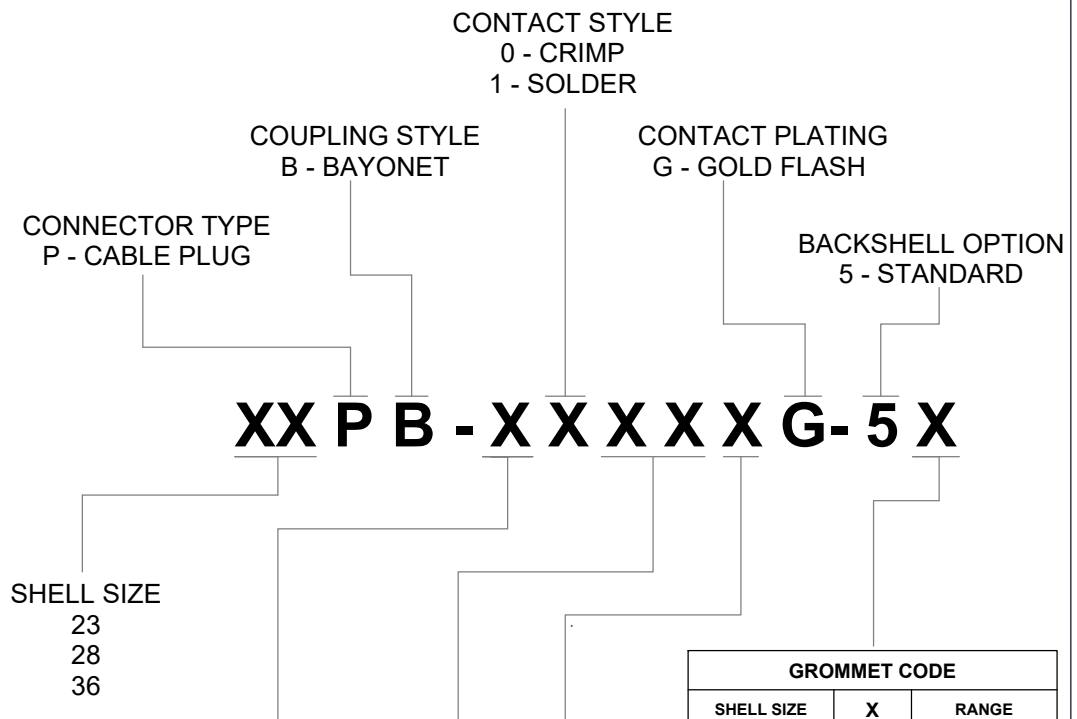


A B C D E F G H I J

1  
2  
3  
4  
5  
6  
7  
8  
9  
10



**IMATE PART NUMBER CODE LOGIC**



**XXPB-XXXXXG-5X**

IMATE SIZE								
23	COMPRESSION NUT	GROMMET (SEE CODE LOGIC)	BACKSHELL	BACKSHELL O-RING	COUPLING RING	PLUG (SEE SHEET TWO)	PIN OR SOCKET CONTACTS	MATING O-RING
28								
36								
MATERIAL	G.F. PBT	SANTOPRENE	G.F. PBT	SILICONE	G.F. PBT	G.F. PBT	BRASS (GOLD PLATED)	SILICONE

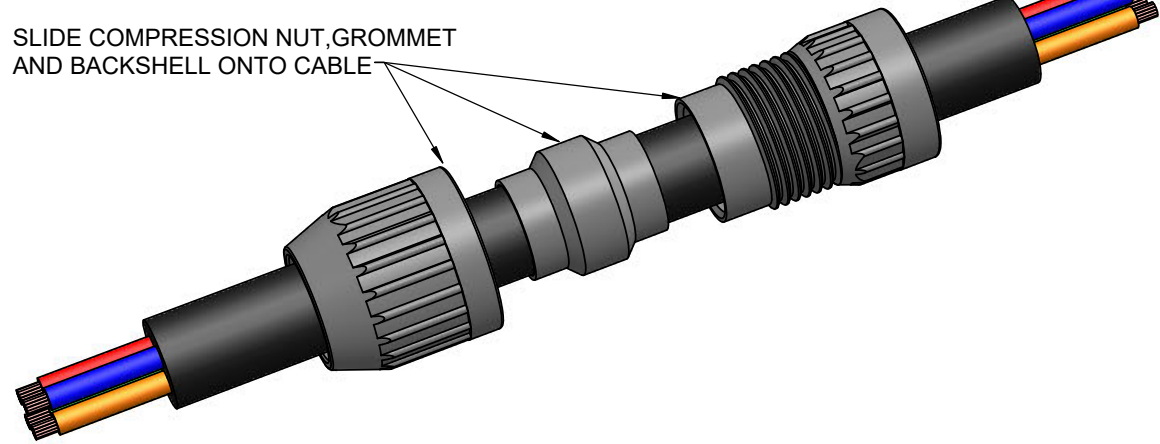
**ASSEMBLY INSTRUCTION**

- SLIDE COUPLING INTO PLUG
- MOUNT BACKSHELL O-RING ONTO PLUG
- SLIDE MATING O-RING INTO THE FRONT OF THE PLUG

- SLIDE COMPRESSION NUT, GROMMET AND BACKSHELL ONTO CABLE

- CRIMP OR SOLDER PIN OR SOCKET CONTACTS TO STRIPED WIRES

- PRESS CONTACTS INTO PLUG (SKIP FOR SOLDER VERSION)
- SCREW ALL PART TOGETHER



NOTES:  
 1. CONTACT ICONN SYSTEMS FOR TERMINATION AND CONTACT INSERTION INFORMATION  
 2. ASSEMBLY INSTRUCTION SHEET INCLUDED WITH PRODUCT  
 3. ASSEMBLY MEETS IP67 WHEN FOLLOWING PROVIDED INSTRUCTIONS



**ALL DIMENSIONS ARE IN INCHES UNLESS OTHERWISE SPECIFIED**

TOLERANCES UNLESS OTHERWISE SPECIFIED:  
 ENGLISH .XX = ±.02 IN .XXX = ±.010 IN  
 METRIC .X = ±.5 MM .XX = ±.25 MM

FRACTIONAL = ±1/32" ALL ANGLES = ±10°

**CONFIDENTIALITY NOTICE**

THIS DRAWING CONTAINS CONFIDENTIAL INFORMATION AND IS SUPPLIED BY ICONN SYSTEMS, LLC. THE OWNER OF SUCH INFORMATION. IN ACCEPTING THIS DRAWING, THE USER AGREES THAT IT IS FOR THE USER'S SOLE USE, THAT IT WILL NOT BE REPRODUCED OR DISTRIBUTED TO OTHERS, AND THAT THE INFORMATION CONTAINED THEREIN WILL NOT BE USED IN ANY MANNER DETRIMENTAL TO ICONN SYSTEMS.

DESIGNED BY: A.ALSAADI	DATE: 11-21-17
DESIGN APPROVED BY: T.CZYZ	DATE: 11-21-17
DRAFTED BY: A.ALSAADI	DATE: 11-21-17
CHECKED BY: T.CZYZ	DATE: 11-21-17
SIZE <b>B</b>	DO NOT SCALE THIS DRAWING
DRAWING SCALE: <b>2:1</b>	

B	MC	6/20/2022	UPDATED NOTES FOR SOLDER VERSIONS
A	AA	11/21/2017	DRAWING CREATED
REV.	BY	ZONE	ECN DATE
DESCRIPTION			
REVISIONS			
 1110 N. GARFIELD ST. LOMBARD, IL 60148 TEL: (630) 827-6000 FAX: (630) 827-6006 <a href="http://ICONNSYSTEMS.COM">ICONNSYSTEMS.COM</a>			
DRAWING TITLE: <b>IMATE 23, 28, 36 FIELD INSTALLABLE CONNECTOR ASSY</b>			
DRAWING NUMBER: <b>XXPB-X0XXG-5X</b>			REV. <b>B</b>
DRAWING TYPE: SALES		SHEET: 1 OF 2	

PLUG CONFIGURATION TABLE			
iMATE SIZE	CONTACT SIZE	FEMALE PLUGS (SOCKET)	MALE PLUGS (PIN)
iMATE 23	16AWG		
	20AWG		
iMATE 28	12AWG		
	16AWG		
	20AWG		
iMATE 36	12AWG		
	16 AWG		
	20 AWG		

**ALL DIMENSIONS ARE IN INCHES UNLESS OTHERWISE SPECIFIED**

TOLERANCES UNLESS OTHERWISE SPECIFIED:

ENGLISH	METRIC
.XX = ±.02 IN	.X = ±.5 MM
.XXX = ±.010 IN	.XX = ±.25 MM

FRACTIONAL = ±1/32"  
ALL ANGLES = ±10°

THIRD ANGLE PROJECTION

**CONFIDENTIALITY NOTICE**

THIS DRAWING CONTAINS CONFIDENTIAL INFORMATION AND IS SUPPLIED BY ICONN SYSTEMS, LLC. THE OWNER OF SUCH INFORMATION. IN ACCEPTING THIS DRAWING, THE USER AGREES THAT IT IS FOR THE USER'S SOLE USE, THAT IT WILL NOT BE REPRODUCED OR DISTRIBUTED TO OTHERS, AND THAT THE INFORMATION CONTAINED THEREIN WILL NOT BE USED IN ANY MANNER DETRIMENTAL TO ICONN SYSTEMS.

DESIGNED BY:	A.ALSAADI	DATE:	11-21-17
DESIGN APPROVED BY:	T.CZYZ	DATE:	11-21-17
DRAFTED BY:	A.ALSAADI	DATE:	11-21-17
CHECKED BY:	T.CZYZ	DATE:	11-21-17
SIZE	<b>B</b>	DO NOT SCALE THIS DRAWING	DRAWING SCALE: <b>2:1</b>

1110 N. GARFIELD ST. LOMBARD, IL 60148  
TEL: (630) 827-6000 FAX: (630) 827-6006  
[ICONNSYSTEMS.COM](http://ICONNSYSTEMS.COM)

DRAWING TITLE:	
<b>iMATE 23, 28, 36 FIELD INSTALLABLE CONNECTOR ASSY</b>	
DRAWING NUMBER:	REV.
<b>XXPB-X0XXG-5X</b>	<b>B</b>
DRAWING TYPE: SALES	SHEET: 2 OF 2



WIRING TABLE LEGEND:  
NT = NOT TERMINATED, N/C = NO CONTACT, M/C = MOLDED CLOSED