

# Multi-Channel SMPM Cable Assemblies

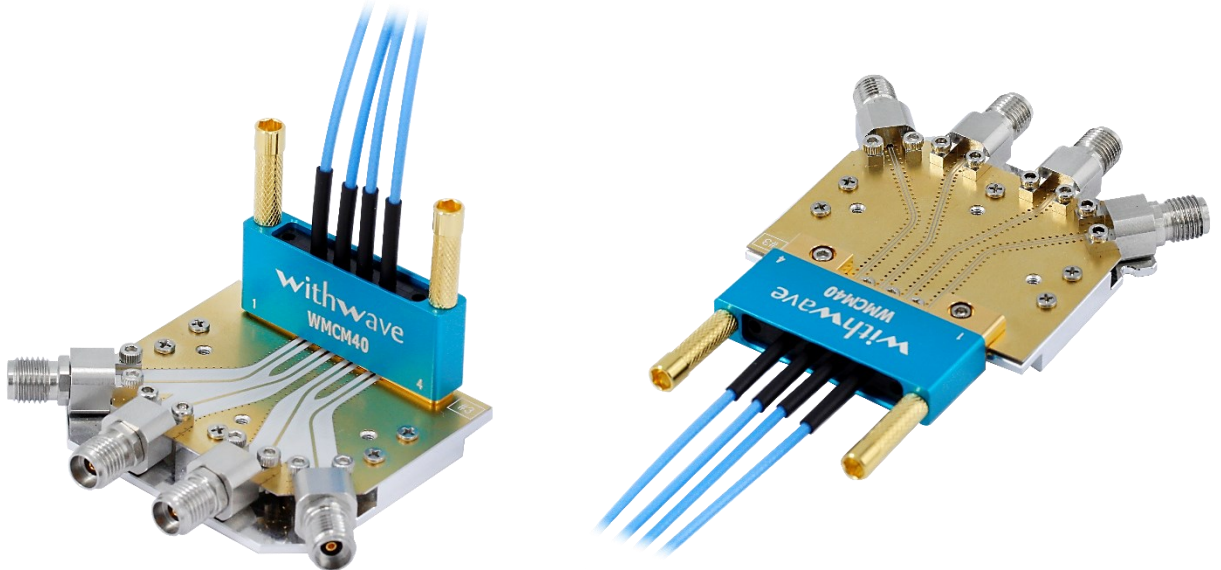
## Solderless Vertical & Edge Mount Type

withwave

Versatile RF & MW Test Solutions

Withwave's Multi-Channel SMPM Cable Assemblies (WMCM Series) provide a wide range of multiple coax connectors and flexible cable assemblies with a choice of **26.5, 40 & 50 GHz** configurations based on precision array design and superior high frequency cabling solutions.

These products consist of high performance flexible assemblies which can be bundled in housings (4 and 8 channels) and the interface to board is compression type which provides lower total cost of testing by avoiding costly soldering components.

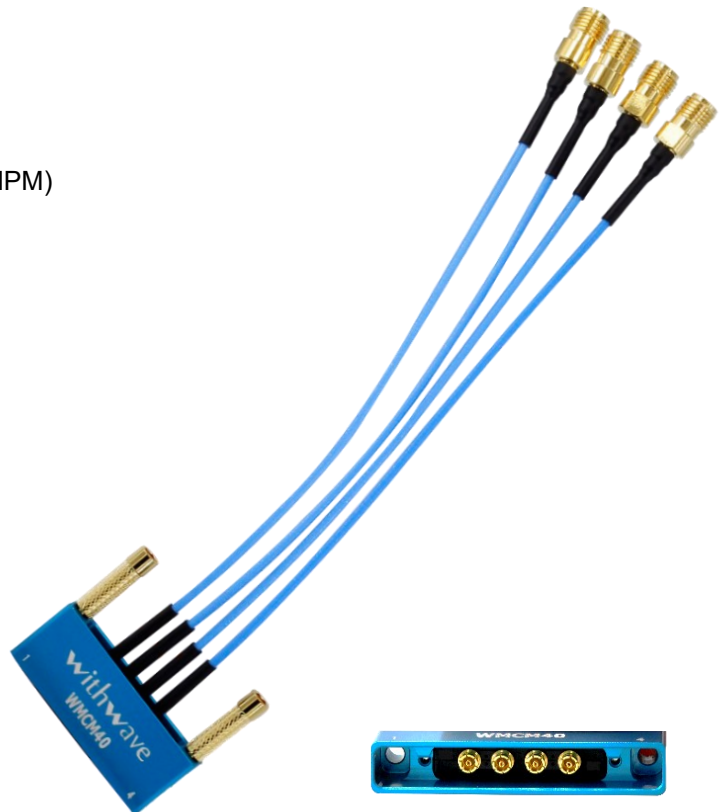


### ■ Features

- Frequency Range : DC to 26.5, 40 & 50 GHz
- Solderless Vertical and Edge Mount type (SMPM)
- 1x4, 1x8 Channel(TBD)

### ■ Application

- Semiconductor & Optical test equipment
- High Speed Test Module
- Super Computing
- 5G Communication Systems

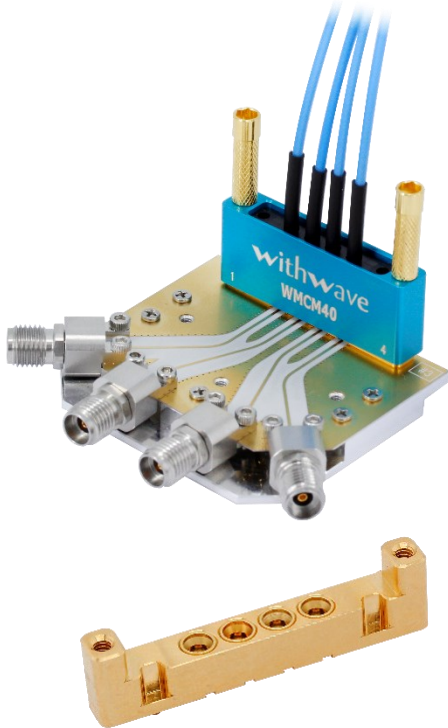


### ■ Specification

Specification	Vertical Mount			Edge Mount		
Freq. Range(Max)	26.5GHz	40GHz	50GHz	26.5GHz	40GHz	50GHz
Connector type	SMA	2.92mm	2.4mm	SMA	2.92mm	2.4mm
PCB Mount type	Vertical Mount			Edge Mount		
VSWR	1.5:1	1.5:1	1.6:1	1.5:1	1.5:1	1.6:1
No. of Positions	1X4 (4 Channel)					
Pitch	4.0mm					
Cable Out Diameter	0.047 inch					
Min. Cable Length	150 mm (*Contact us for other lengths)					
Temperature	-55 ~ +125 °C					



### Test Result (Vertical Mount)



### Test Condition

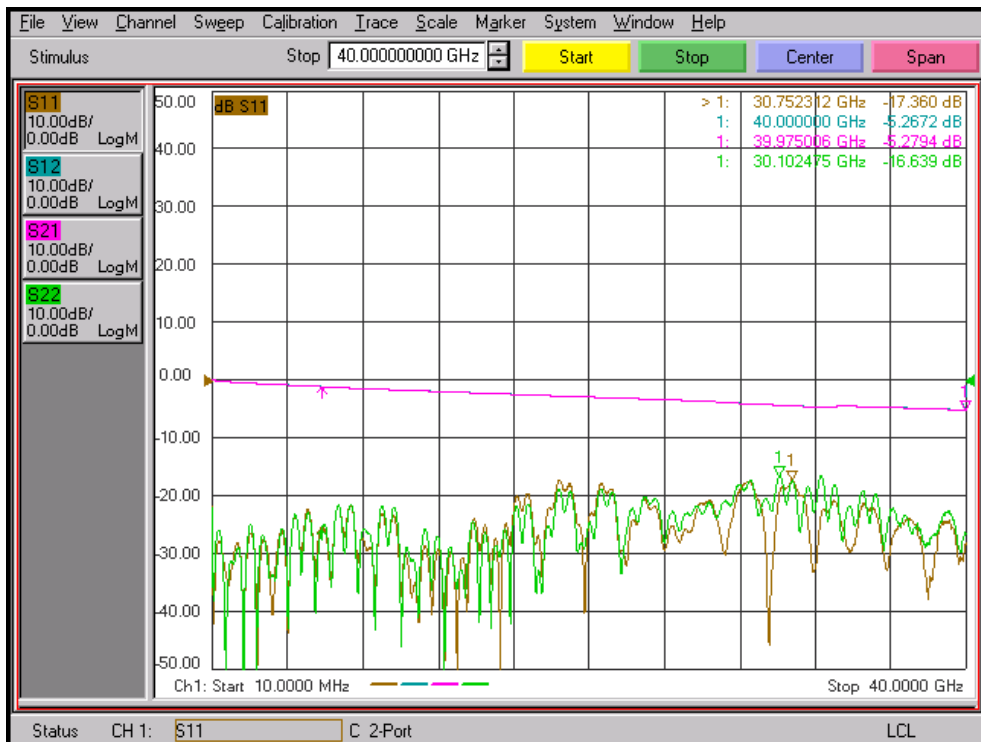
- **Vertical Mount**

- Cable length : 150 mm(O.D : 0.047 inch)
- Pitch : 4.0 mm
- Connector : 2.92 mm (Female)
- PCB Connector : Vertical Mount type(Part No: WMCM-4A-01-V)

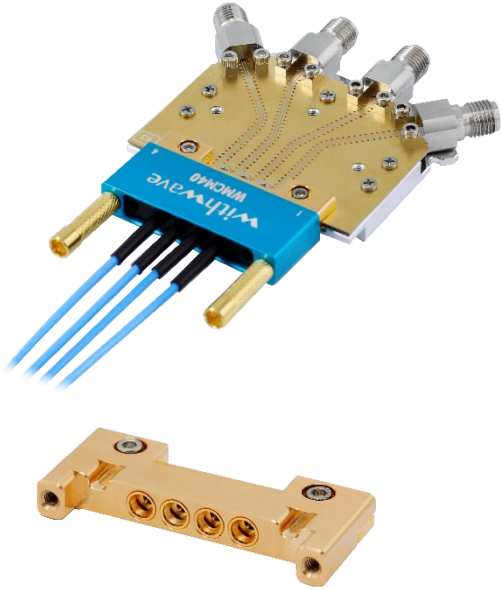
- **Test Board**

- PCB : RO4003C 8 mil
- RF Trace length : 32.96mm
- Connector: End Launch 2.92 mm Narrow Block(Female)

### Insertion & Return Loss



### Test Result (Edge Mount)



### Test Condition

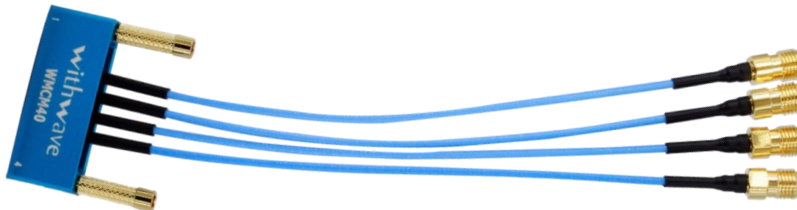
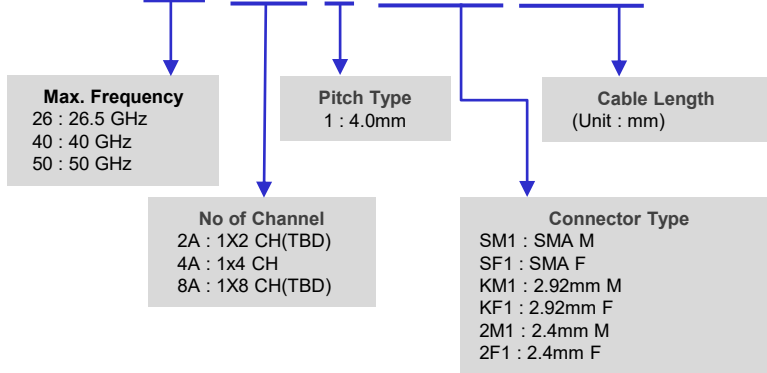
- **Edge Mount**
  - Cable length : 150 mm(O.D : 0.047 inch)
  - Pitch : 4.0 mm
  - Connector : 2.92 mm (Female)
  - PCB Connector : Vertical Mount type(Part No: WMCM-4A-01-E)
- **Test Board**
  - PCB : RO4003C 8 mil
  - RF Trace length : 32.96mm
  - Connector: End Launch 2.92 mm Narrow Block(Female)

### Insertion & Return Loss



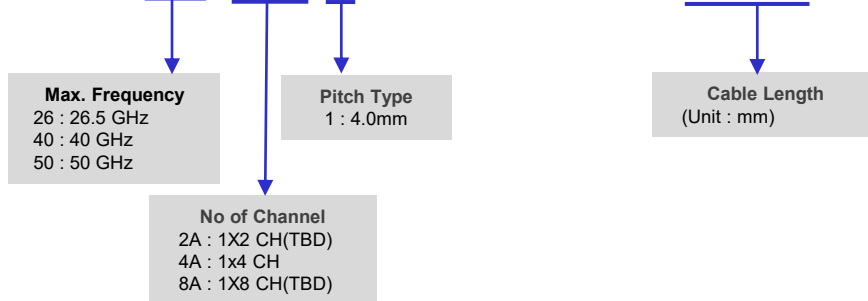
### ■ Selection Guide 1 (Cable Assembly)

## WMCM40-4A1-KF1-150



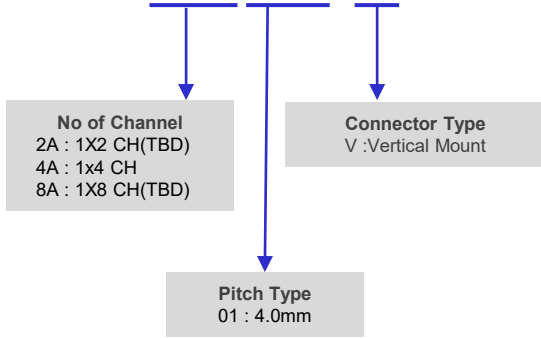
### ■ Selection Guide 2 (Cable Assembly : Jumper Type)

## WMCM40-4A1-WMCM40-150

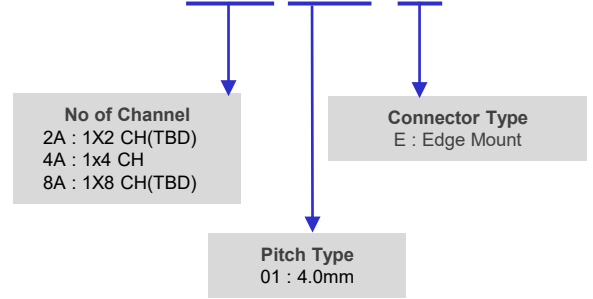


### ■ Selection Guide (Board Connector)

## WMCM-4A-01-V



## WMCM-4A-01-E

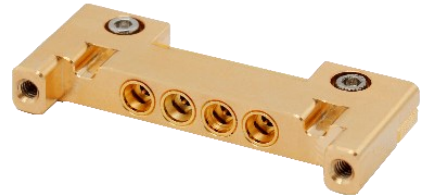


### Board Connector (Pitch : 4.0 mm)

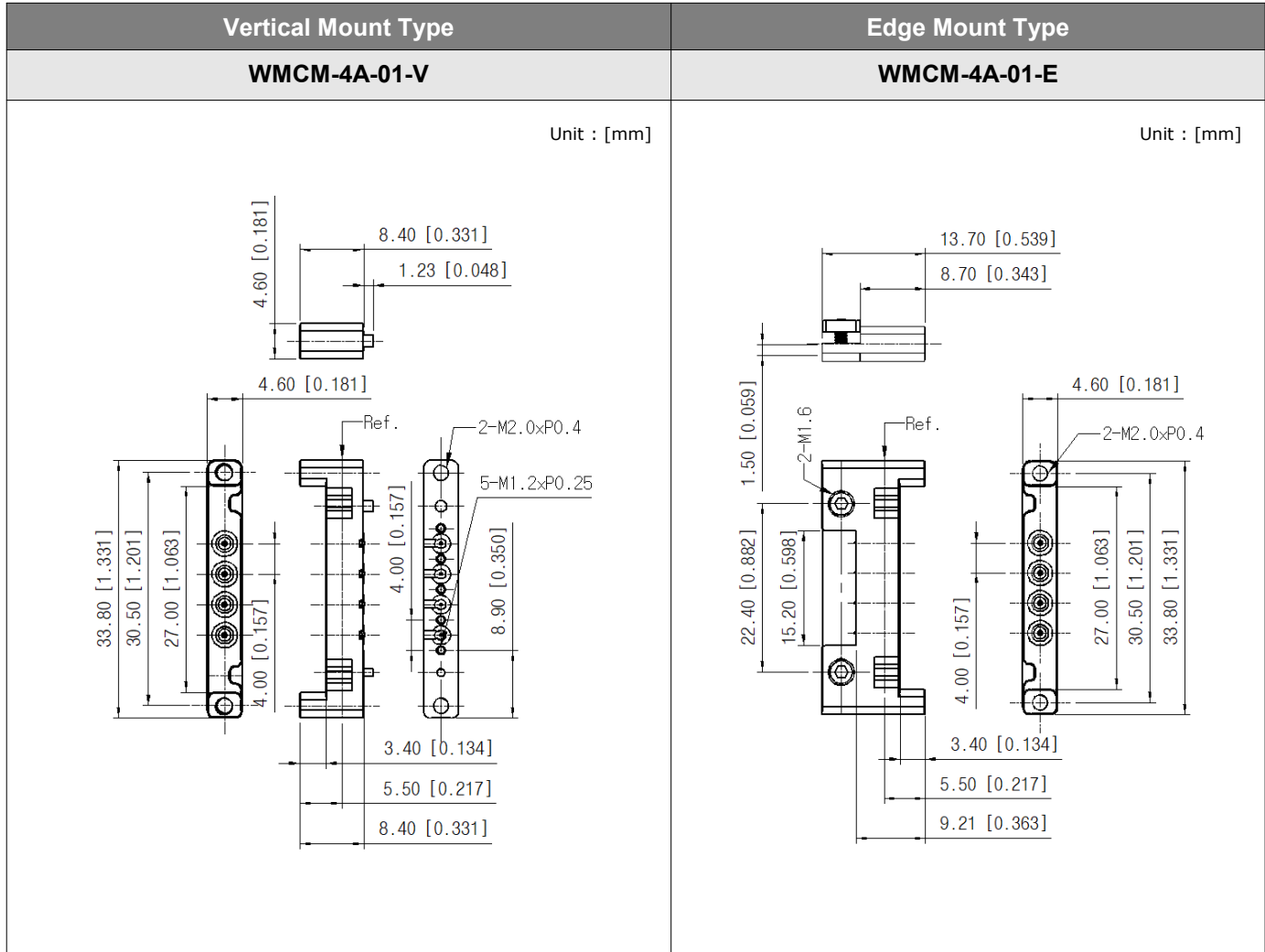
1x4 Channel (Part #: WMCM-4A-01-V)



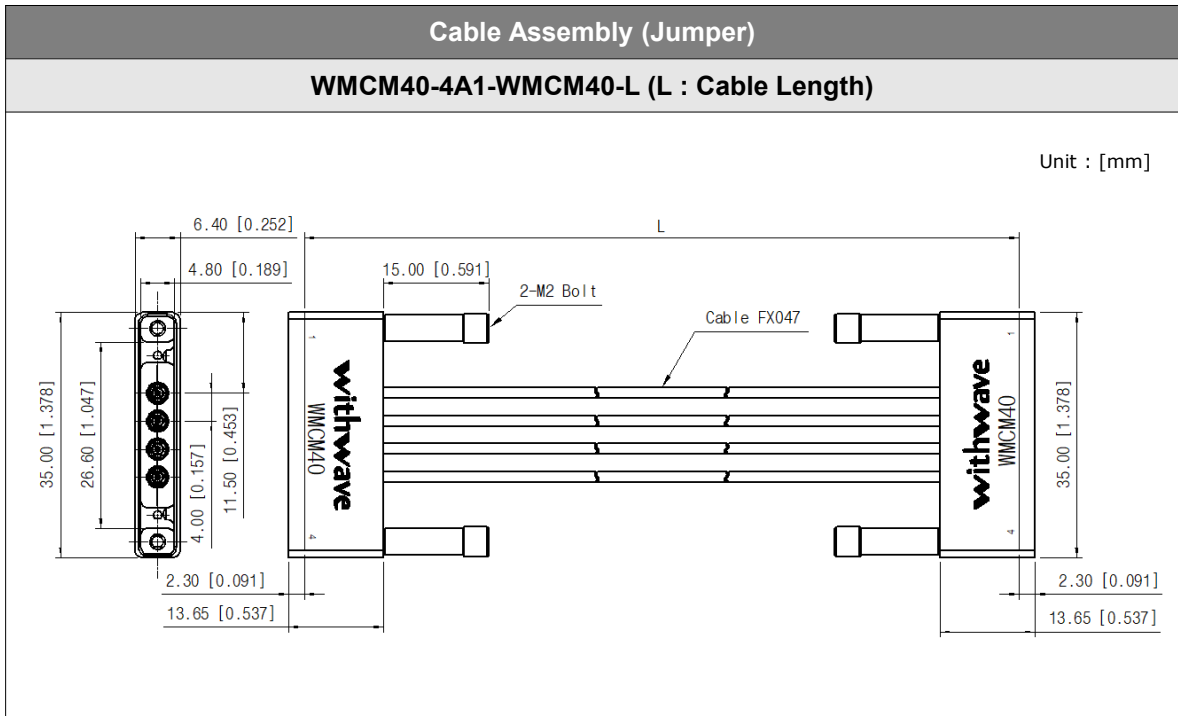
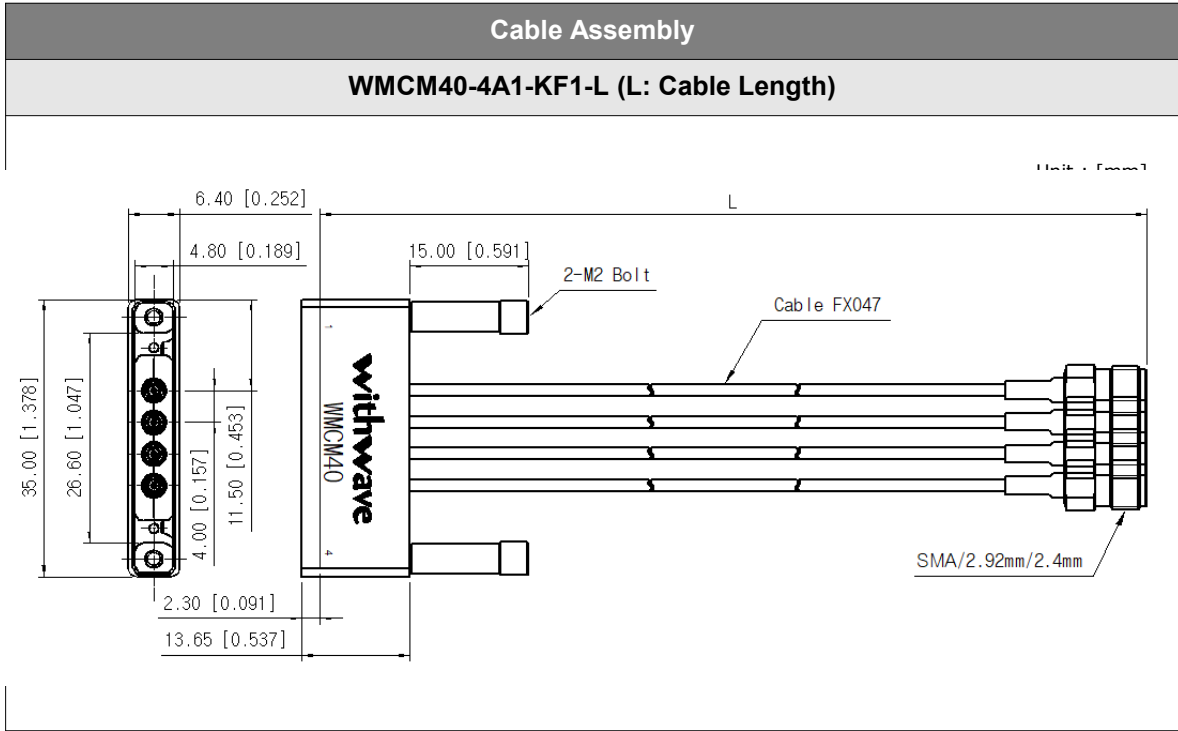
1x4 Channel (Part #: WMCM-4A-01-E)



■ Drawing



■ Drawing





### ■ Revision History

Revision	Date	Changes
Ver 1.0	2024-03-18	Released Multi-Channel SMPM Cable Assemblies.