



Main Features

- ◆ 10.1" WXGA 1280x800 400 nits LED panel
- ◆ 5 points projected capacitive touch with Full IP65 protection
- ◆ 3-Position Enabling switch & E-Stop Button
- ◆ EMC (IEC/EN 61000-6-2/4) compliance
- ◆ System frame ground protection(GPE) design

Product Overview

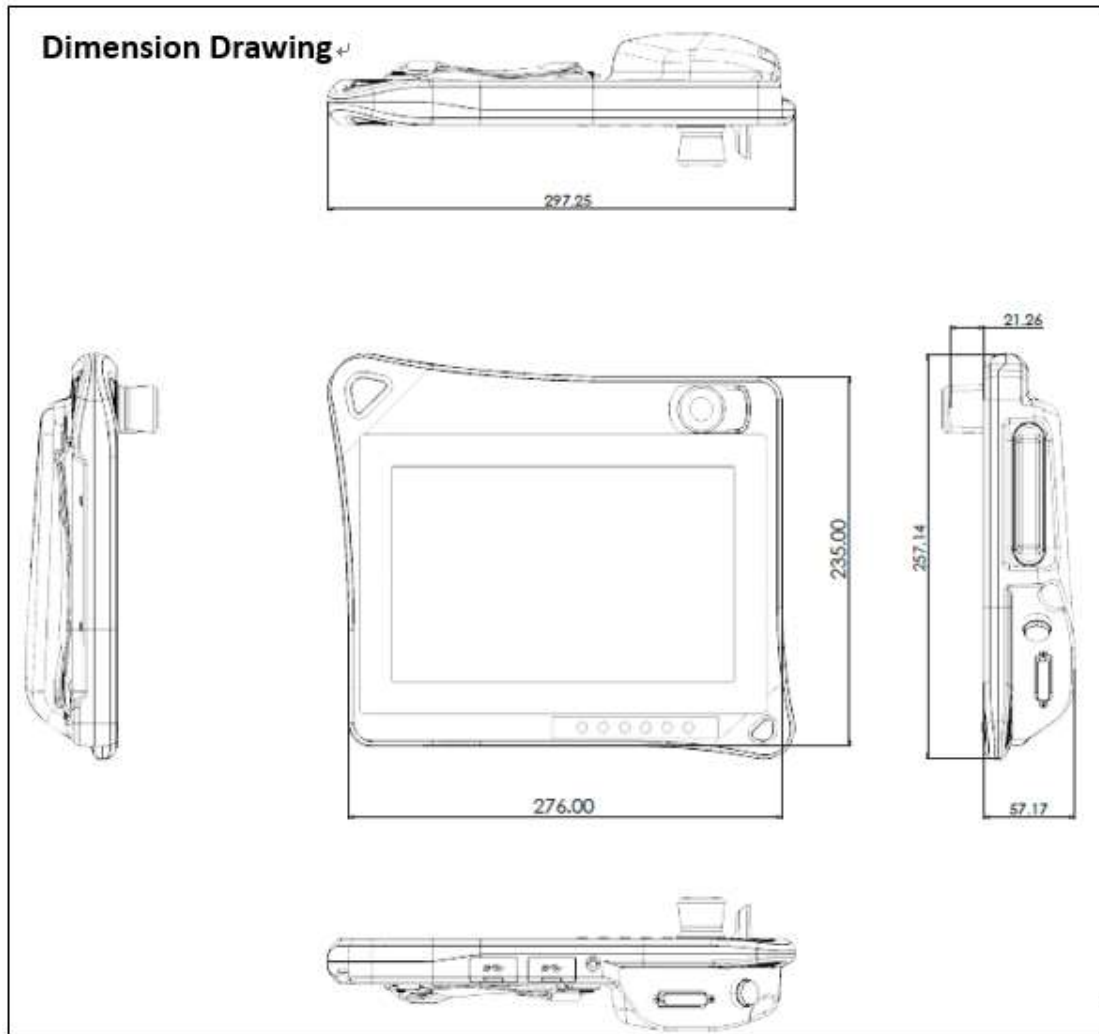
TP-100-2 is handheld operating teach pendant features an ergonomic housing with a safety elements, 10.1" WXGA resolution Panel and Multi-Touch P-Cap. The handheld control unit is greatest comfortable to used and also support left-hander.

Specification

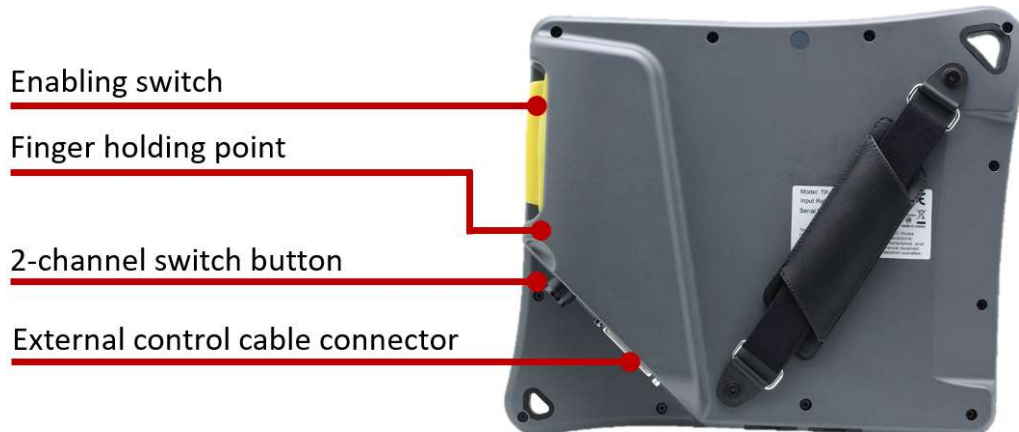
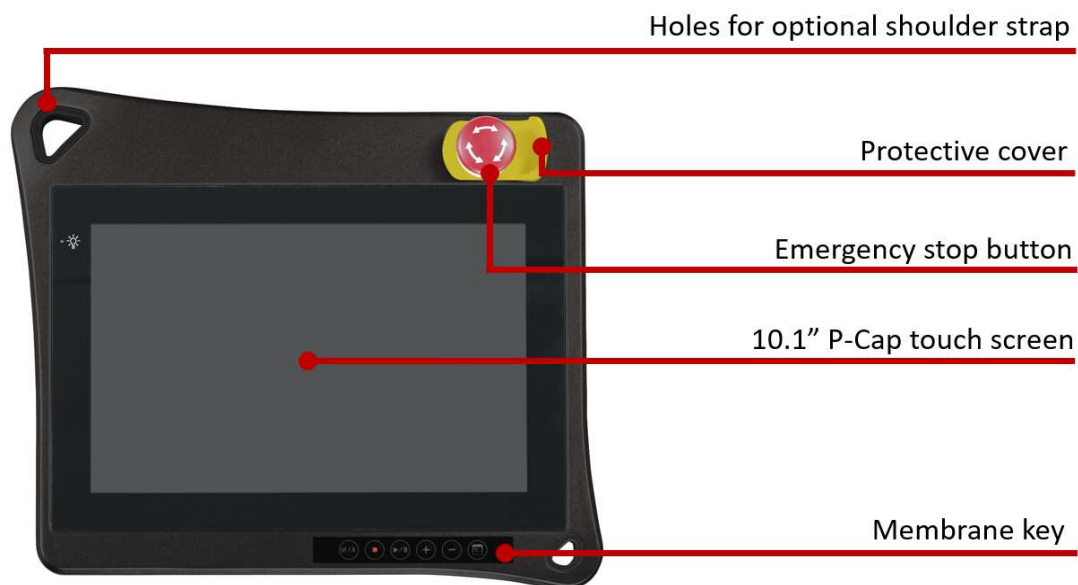
Technical Data	TP-100-2	Technical Data	TP-100-2
Panel	<ul style="list-style-type: none"> - 10.1", 16:10, WXGA, 1280 x 800 - Luminance: 400 cd/m² - Contrast ratio: 800:1 - LCD color: 16.7M - Viewing angle: 89 (U), 89 (D), 89 (L), 89 (R) - Backlight: LED 	Interface	<ul style="list-style-type: none"> - Data back-up: 2 x USB 2.0 - Control connector: HDB-44 female > Removable HDB-44 control cable that cable length: 3M / 5M /10M / 20M (Optional) > Including power, E-stop buttons, 3-Position enabling switch, button switch, USB 2.0 and HDMI signals
Touch	<ul style="list-style-type: none"> - Touch: 5 points P-Cap - Touch light transmission: 87% - Touch interface: USB - Anti-scratch surface: 7H hardness 	Ratings	<ul style="list-style-type: none"> - Power supply voltage: 24 Vdc (19.2 to 28.8 Vdc) - Current consumption: <ul style="list-style-type: none"> > TP-100-2 0.625A at 24Vdc (max.)

Technical Data	TP-100-2	Technical Data	TP-100-2
Safety Elements	<ul style="list-style-type: none"> - Emergency Stop Button > 2 NC channels, B10d=130,000 > Contact function: latching > Reset: by rotating -3-Position Enabling Switch > 3 channels 2NO & 1 NC, B10d=100,000 	Mechanical	<ul style="list-style-type: none"> - Dimension: 297.3 x 257.2 x 57.2 mm (78.5mm including E-stop button) - Weight (without external control cable): > TP-100-2 1.5Kg - Front bezel: aluminum magnesium alloy; color: Black - Back cover: ABS+PC; color: Pantone 432C - IP protection class: Full IP65
Operating Elements	2-position button switch (1NO & 1NC)	Environment	<ul style="list-style-type: none"> - Operating temperature: 0°C to 50°C - Storage temperature: -20°C to 75°C - Operating humidity: 10%~90% relative humidity, non-condensing - Vibration resistance/shock-proof/free-fall according to EN 61131-2
System	<ul style="list-style-type: none"> - TP-100-2: HDMI input - USB 2.0 upstream 	Certifications	<ul style="list-style-type: none"> - CE (Emission EN61000-6-4; Immunity EN61000-6-2 for installation in industrial environments) - FCC Class A

Dimension



Function and Ergonomic design



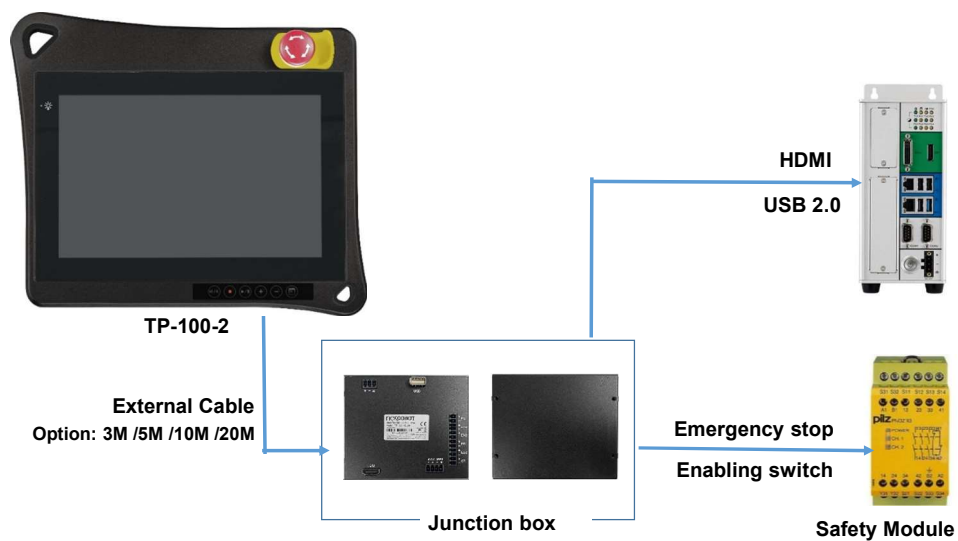
Membrane Keys



The TP-100-2's membrane keys are located at the lower-right of the teach pendant, each membrane key is mapping to the real-keyboard signal, review the key definitions below:

Key Definition	Defined Keyboard Mapping
M/A	[Ctrl] + [Shift] + [m]
Stop	[Ctrl] + [Shift] + [s]
Play/Pause	[Ctrl] + [Shift] + [p]
+	[Ctrl] + [Shift] + []]
-	[Ctrl] + [Shift] + [[]
Error Log	[Ctrl] + [Shift] + [e]

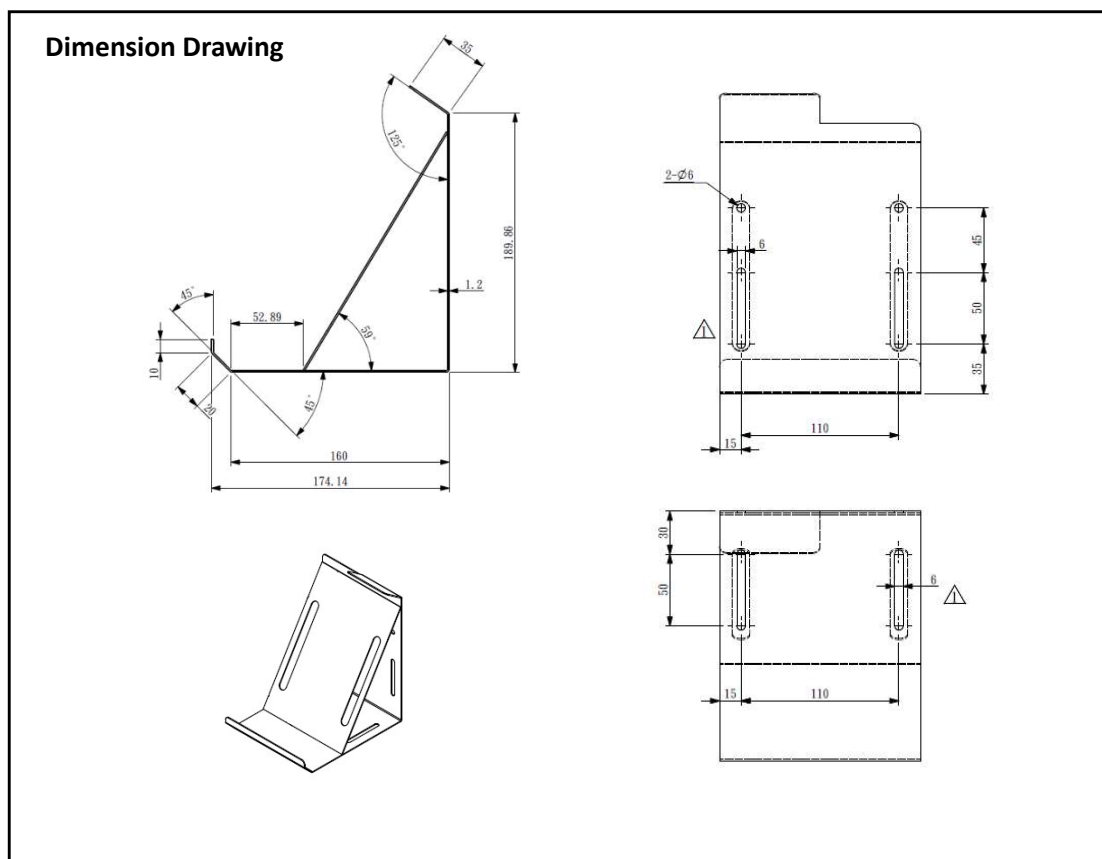
Connection example



Junction Box



TP-100 Holders (Option)



Ordering Information

- TP-100-2 (P/N: 10IH0010010X0)
10.1" multi-touch Teach pendant display
- TP-100-HD-JB (P/N: 10IH0010011X0)
TP-100-2 Junction Box
- TP-100-2 circular connector cable (P/N: 6030000494X00)
Connector to Junction box (30cm)
- (Option) TP-100-2 External 3M Cable (P/N: 6030000491X00)
- (Option) TP-100-2 External 5M Cable (P/N: 6030000492X00)
- (Option) TP-100-2 External 10M Cable (P/N: 6030000499X00)
- (Option) TP-100-2 External 20M Cable (P/N: 6030000493X00)
TP-100-2 External Cable
- (Option) TP-100 Holders (P/N: 98ROBO000011F)
Holder for TP-100
- (Option) Cap of Circular connector for TP-100-2 (P/N: 6850600000X01)
Cap for TP-100-2