

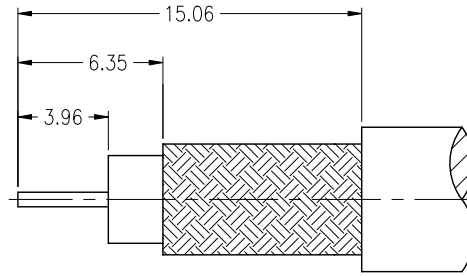
NOTES:

- MATERIALS AND FINISHES(PLATING THICKNESS IN MICRO-INCHES):
 BODY - BRASS, NICKEL PLATING
 CONTACT - BRASS, GOLD PLATING
 INSULATOR - PTFE, NATURAL
- ELECTRICAL:
 A. IMPEDANCE: 50 OHM
 B. FREQUENCY RANGE: DC -4 GHz
 C. DIELECTRIC WITHSTANDING VOLTAGE: 1500 VRMS, MIN.
- MECHANICAL:
 A. DURABILITY: 500 CYCLES MIN.
 B. TEMPERATURE RANGE: - 65°C to +165°C
- WHEN CRIMPING FERRULE TO CABLE, CRIMP WITH AMPHENOL TOOL 277-944 (M22520/5-01) AND DIE SET 227-1221-13 CAVITY 'A' (M22520/5-13,CLOSURE 'A')
- ITEM 8 IS USED FOR RG62 CABLE ONLY
- USE WITH RG 59 AND BELDEN 8221, 8241, 8241A, 8241F, 8263, 8279A, 9209, 9209A, 9244 CABLES.

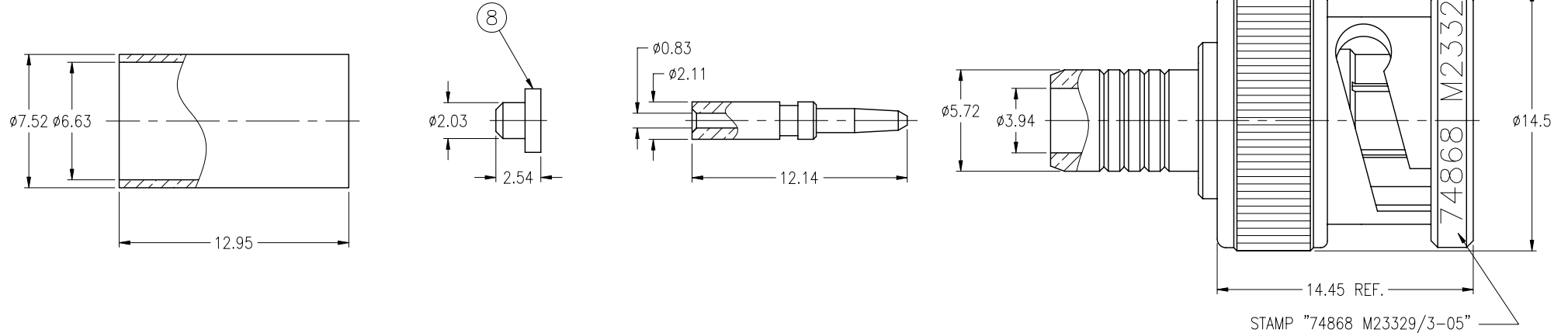
THIRD ANGLE PROJ.

REVISIONS

REV	DESCRIPTION	DATE	ECO	APPR
A2	APPEARANCE WAS CHANGED\N/A	16-Apr-03	---	TONY
A3	SEE SHEET 1	17-Mar-05	---	SH
A4	SEE SHEET 1	30-Jun-05	---	SH
B	SEE SHEET 1	28-Sep-06	---	SH
AE	SEE SHEET 1	21-Sep-10	47921	SH
AF	NOTE 5 WAS CHANGE\RD-DM11071101R3	02-Aug-11	48675	SH



RECOMMENDED
CABLE STRIPPING DIM'S



CUSTOMER OUTLINE DRAWING
ALL OTHER SHEETS ARE FOR INTERNAL USE ONLY

UNLESS OTHERWISE SPECIFIED, DIMENSIONS ARE IN METRIC AND TOLERANCES ARE:
 <0.5mm ±0.05mm 0.5 - 6mm ±0.1mm 6 - 30mm ±0.2mm 30 - 120mm ± 0.3mm ANGLES ±1°

NOTICE - These drawings, specifications, or other data (1) are, and remain the property of Amphenol Corp. (2) must be returned upon request; and (3) are confidential and not to be disclosed to any person other than those to whom they are given by Amphenol Corp. The furnishing of these drawings, specifications, or other data by Amphenol Corp., or to any other person to anyone for any purpose is not to be regarded by implication or otherwise in any manner licensing, granting rights or permitting such holder or any other person to manufacture, use or sell any product, process or design, patented or otherwise, that may in any way be related to or disclosed by said drawings, specifications, or other data.

MATERIAL	DRAWN	DATE	TITLE BNC PLUG MIL-CRIMP 23329 (FOR RG-59/U, 62/U CABLE)			Amphenol RF Danbury CT USA, Tainan Taiwan, Shenzhen China www.amphenolrf.com		
	R.MAO	22-Jul-11						
REFERENCE	ENGINEER	DATE	SCALE: 3/1	SHEET	2 OF 2	DRAWING NO. 31-321		
	C.WANG	22-Jul-11	DWG SIZE	CODE ID	REV	ITEM NO. 31-321		
FINISH	APPROVED	DATE	B	74868	AF	PART NO. 31-321		
	S.HSIEH	22-Jul-11	F:\DWG\CNPD\31\321\00-AFSZ					