

**BNC connector Platinum (pin) -
Compression for CAMSET/RG-59 (green)**

**RoHS
Compliant**

Stock No.: L044E8282

FEATURES

- 75 Ohms
- Cable Mount
- RG-59



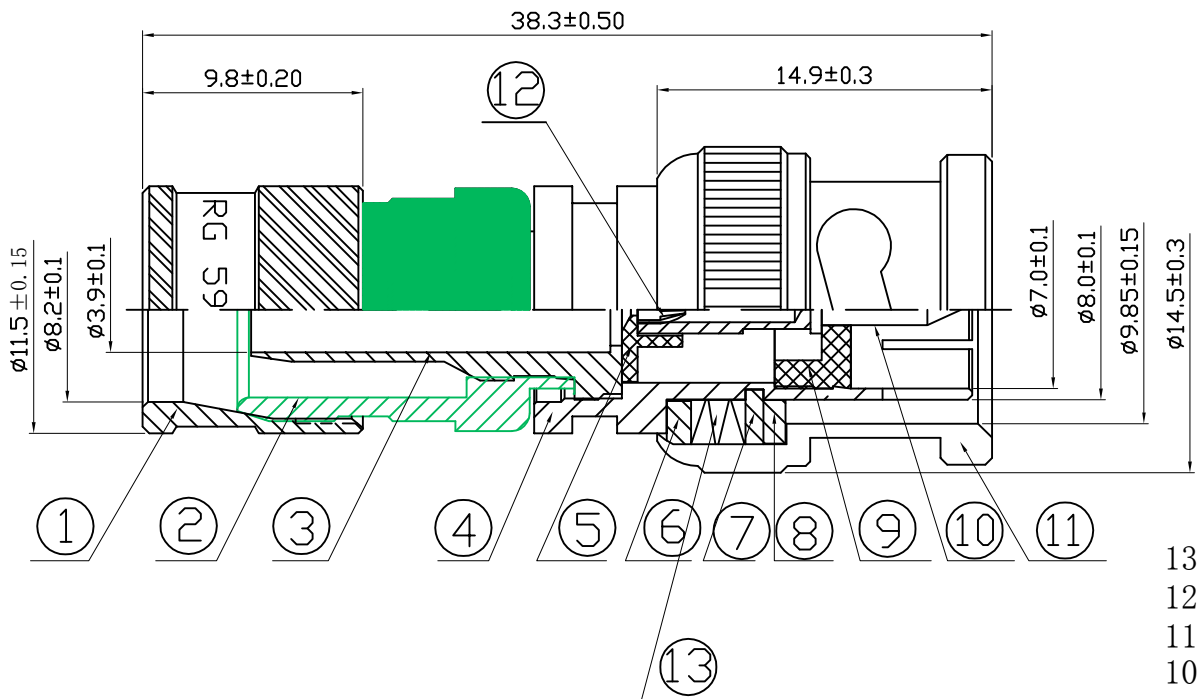
Product Description

The connector has been designed to ensure watertightness (after crimping). During compression of the connector a plastic bush is tightly pressed against the sheath of the cable (by putting on cone-shaped brass bush). The plastic material is protected by patent (Delrin of DuPont company well known for quality of products). It is UV-proof and ensures stable physical parameters in very wide temperature range. The metal parts of the connector are made of nickel-plated brass and are corrosion-proof.

General Specifications

Attribute	Value
Connector Style	BNC
Gender	Male
Impedance	50Ω
Mounting Type	Cable Mount
Frequency Range	0-3 GHz
Body Orientation	Straight
Polarity	Normal
Contact Plating	Gold
Body Plating	Nikel
Contact Material	Beryllium Copper
Voltage Rating	500 Volts Peak
Temperature Range	-20°C ~ 80°C

Product Drawing



Material Brass

Plating Nickel

Plastic bush DuPont Delrin 527UV*

Dimensions (height x diameter) mm 27x5.5

Weight kg 0.015

Electrical parameters

Impedance ohm 75

Frequency range GHz 0-3

VSWR at 1 GHz <1.1

return loss at 1GHz dB >30

Screening efficiency at 1GHz dB >100

Dimensions: Millimeters (Inches)

Part Number Table

Part Number	Description
L044E8282	BNC connector Platinum (pin) - Compression for CAMSET/RG-59 (green)

Important Notice: This data sheet and its contents (the "Information") belong to the members of the EASE group of companies (the "Group") or are licensed to it. No license is granted for the use of it other than for information purposes in connection with the products to which it relates. No license of any intellectual property rights is granted. The Information is subject to change without notice and replaces all data sheets previously supplied. The Information supplied is believed to be accurate, but the Group assumes no responsibility for its accuracy or completeness, any error in or omission from it or for any use made of it. Users of this data sheet should check for themselves the Information and the suitability of the products for their purpose and not make any assumptions based on information included or omitted. Liability for loss or damage resulting from any reliance on the Information or use of it (including liability resulting from negligence or where the Group was aware of the possibility of such loss or damage arising) is excluded. This will not operate to limit or restrict the Group's liability for death or personal injury resulting from its negligence. EASE is the registered trademark of Ease Electronics Co., Limited 2019.