

1393315-9 ✓ ACTIVE



High Current Relay HCR 150

TE Internal #: 1393315-9

Automotive High Current Relays, 24VDC Coil Voltage Rating, >50A Contact Current Class, Contact Arrangement 1 Form X (DM), High Current Relay HCR 150

[View on TE.com >](#)

Relays & Contactors > Relays > Automotive Relays > Automotive High Current Relays



Coil Voltage Rating: **24 VDC**

Contact Current Class: **>50 A**

Contact Arrangement: **1 Form X (DM)**

Coil Special Features: **Resistor in Parallel**

Coil Magnetic System: **Monostable, DC**

Features

Configuration Features

Contact Arrangement	1 Form X (DM)
Coil Special Features	Resistor in Parallel

Electrical Characteristics

Contact Limiting Continuous Current	180 A
Current Rating (85°C)	130 A
Insulation Initial Dielectric Between Open Contacts	1000 Vrms
Contact Limiting Making Current	300 A
Insulation Initial Dielectric Between Contacts & Coil	1000 Vrms
Contact Limiting Breaking Current	300 A
Contact Switching Load (Min)	1000mA @ 5VDC
Coil Power Rating DC	4100 mW
Coil Voltage Rating	24 VDC
Coil Resistance	141 Ω

Body Features

Product Weight	220 g[7.76 oz]
----------------	----------------

Contact Features

Contact Material	Silver Alloy
------------------	--------------

Termination Features



Terminal Configuration	Screw Terminals
------------------------	-----------------

Mechanical Attachment

Product Mounting Feature Type	Mounting Brackets
-------------------------------	-------------------

Dimensions

Product Width	45 mm[1.772 in]
Product Length	63 mm[2.48 in]
Product Height	40 mm[1.772 in]

Usage Conditions

Environmental Ambient Temperature (Max)	125 °C[257 °F]
---	----------------

Operation/Application

Coil Magnetic System	Monostable, DC
----------------------	----------------

Other

Length Class (Mechanical)	>60 mm
Environmental Ambient Temperature Class	105 - 125 °C
Insulation Initial Dielectric Between Coil & Contact Class	500 - 1000 V
Height Class (Mechanical)	40 - 50 mm
Width Class (Mechanical)	30 - 40 mm
Contact Current Class	>50 A

Product Compliance

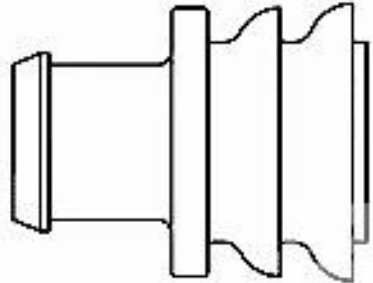
[For compliance documentation, visit the product page on TE.com>](#)

EU RoHS Directive 2011/65/EU	Compliant
EU ELV Directive 2000/53/EC	Compliant
China RoHS 2 Directive MIIT Order No 32, 2016	No Restricted Materials Above Threshold
EU REACH Regulation (EC) No. 1907/2006	Current ECHA Candidate List: JAN 2024 (240) Candidate List Declared Against: JAN 2024 (240) Does not contain REACH SVHC
Halogen Content	Low Halogen - Br, Cl, F, I < 900 ppm per homogenous material. Also BFR/CFR/PVC Free
Solder Process Capability	Not applicable for solder process capability

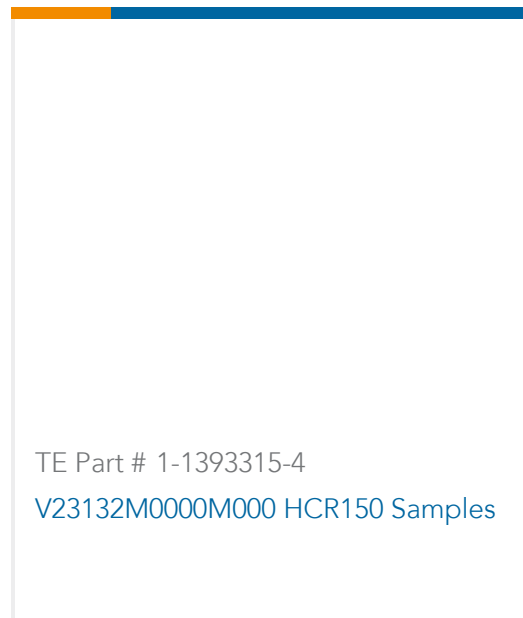
Product Compliance Disclaimer

This information is provided based on reasonable inquiry of our suppliers and represents our current actual knowledge based on the information they provided. This information is subject to change. The part numbers that TE has identified as EU RoHS compliant have a maximum concentration of 0.1% by weight in homogenous materials for lead, hexavalent chromium, mercury, PBB, PBDE, DBP, BBP, DEHP, DIBP, and 0.01% for cadmium, or qualify for an exemption to these limits as defined in the Annexes of Directive 2011/65/EU (RoHS2). Finished electrical and electronic equipment products will be CE marked as required by Directive 2011/65/EU. Components may not be CE marked. Additionally, the part numbers that TE has identified as EU ELV compliant have a maximum concentration of 0.1% by weight in homogenous materials for lead, hexavalent chromium, and mercury, and 0.01% for cadmium, or qualify for an exemption to these limits as defined in the Annexes of Directive 2000/53/EC (ELV). Regarding the REACH Regulation, the information TE provides on SVHC in articles for this part number is based on the latest European Chemicals Agency (ECHA) 'Guidance on requirements for substances in articles' posted at this URL: <https://echa.europa.eu/guidance-documents/guidance-on-reach>

Compatible Parts



TE Part # 281934-2
SINGLE WIRE SEAL



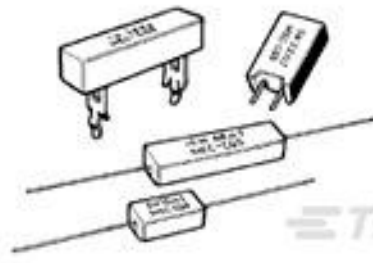
TE Part # 1-1393315-4
V23132M0000M000 HCR150 Samples

Also in the Series | High Current Relay HCR 150

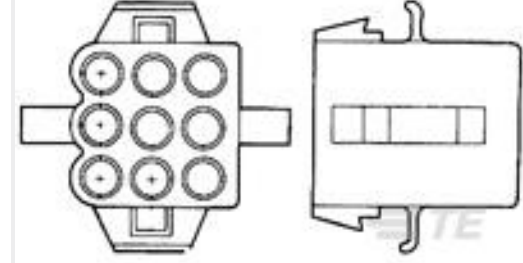


Automotive High Current Relays(5)

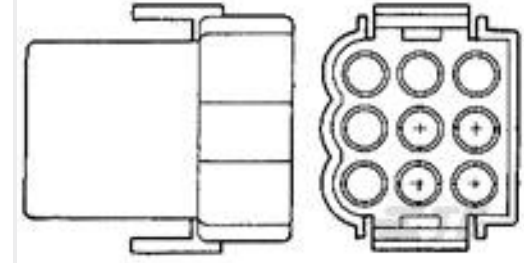
Customers Also Bought



TE Part # 6-1623795-6
SQP5 1R5 5% (WIRE)



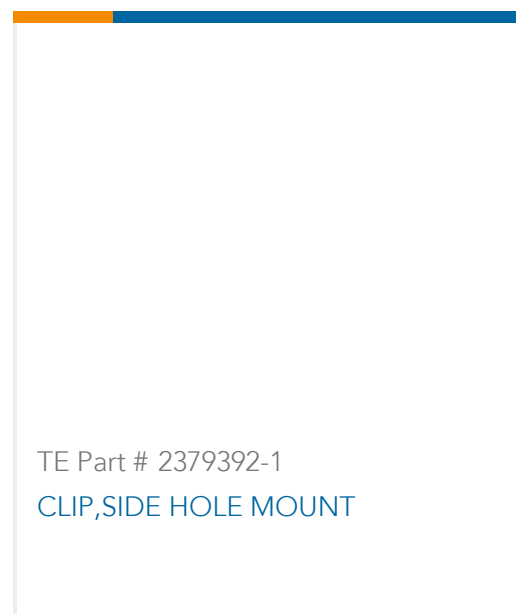
TE Part # 1-480672-0
09P .140 MNL PLUG PM NAT



TE Part # 1-480673-0
09P .140 MNL CAP PM NAT



TE Part # 174360-7
070 ECONOSEAL MARK-2 P/CAP 3P



Documents

Product Drawings

[V23132B2002A200=HCR](#)

English

CAD Files

Customer View Model

[ENG_CVM_CVM_1393315-9_B.2d_dxf.zip](#)

English

3D PDF

3D

Customer View Model

[ENG_CVM_CVM_1393315-9_B.3d_igs.zip](#)

English

Customer View Model

[ENG_CVM_CVM_1393315-9_B.3d_stp.zip](#)

English

By downloading the CAD file I accept and agree to the [Terms and Conditions](#) of use.

Datasheets & Catalog Pages

[Automotive Relay Application Notes](#)

English

[High Current Relay 150, High Current Devices, High Current Solutions](#)

English

Product Specifications

[Definitions General Purpose Relays](#)

English