



This speaker is designed to operate over a broad frequency range. It's light weight with a thin profile but robust enough to handle 50W (EIA). The non-magnetic, piezo construction makes it advantageous for any harsh environment application.



Electrical Specifications

Speaker Type:	Piezo Loudspeaker
Operating Voltage:	2 - 30 VDC (Vp-p)
Rated Voltage:	18VDC (Vp-p)
Frequency Range:	500 Hz - 20 KHz

Sound Output (SPL):	82dB (@2.83V, 1W/1m)
Rated Current:	10 mA (max.)
Nominal Power:	50 W (8Ω ref.)

Environmental Specifications

Min. Operating Temp:	-40°C / -40°F
Max. Operating Temp:	70°C / 158°F

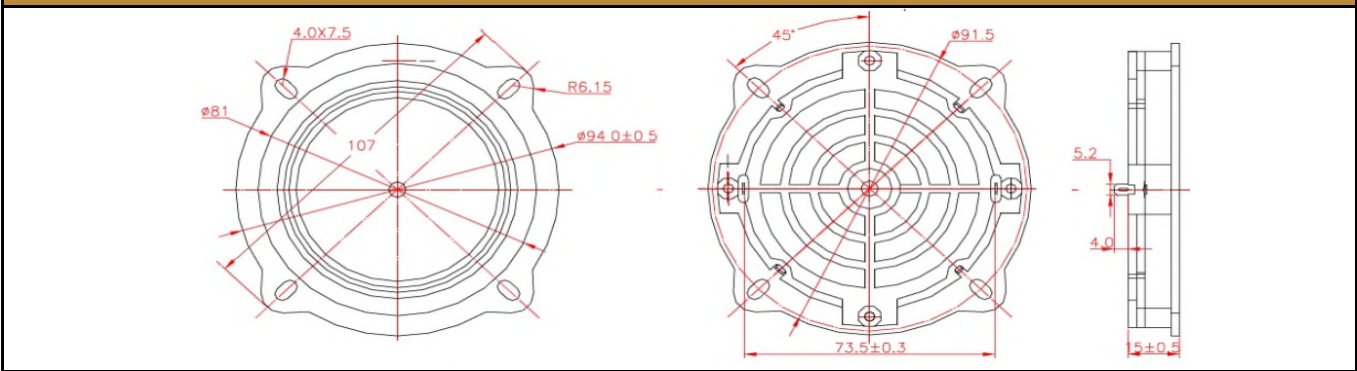
Storage Temp:	-40°C - +80°C
---------------	---------------

Material Specifications

Basket Material:	MPPO
Cone Material:	Paper

Magnet Material:	Piezo Element
Weight:	32 g

Dimensions



Frequency Response Curve

