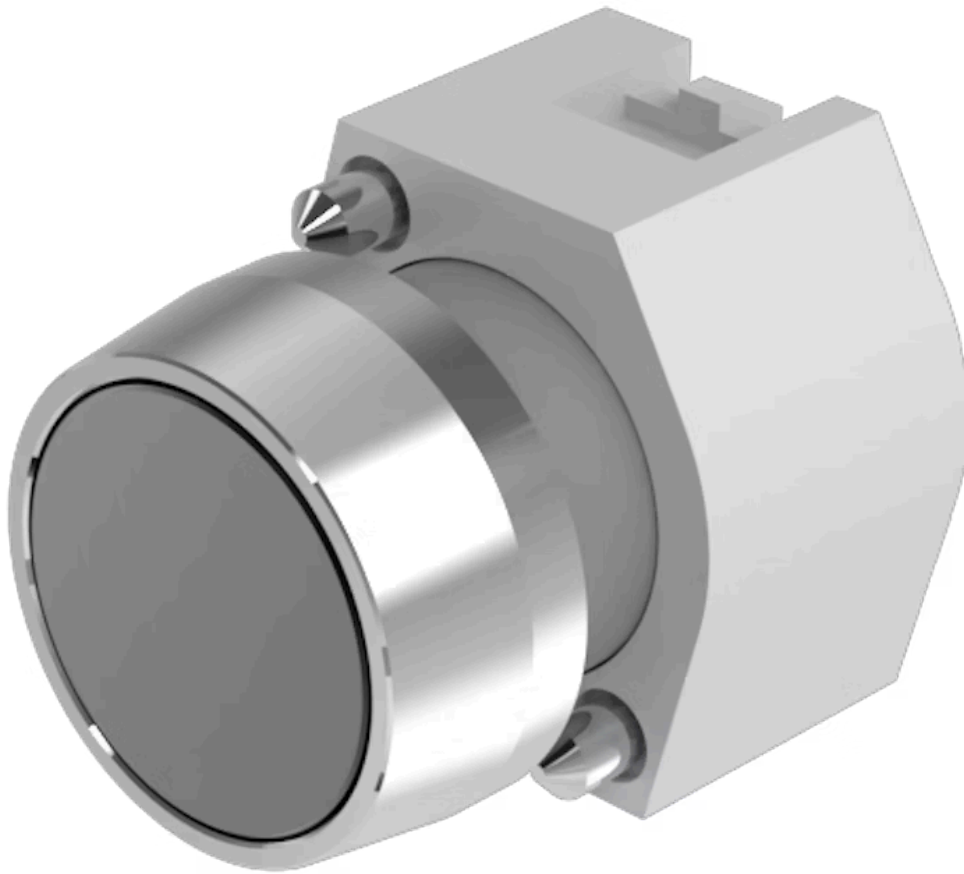


# Actuator

704.011.0

Distribution by  
DigiKey

**DigiKey**



<https://digikey.eao.com/p/704.011.0>

Your product:

---



## 704.011.0 Actuator

### FRONT

<b>Front bezel colour:</b>	Nature
<b>Front dimension:</b>	Ø 29 mm
<b>Front form:</b>	round
<b>Front bezel material:</b>	Aluminium

### MOUNTING

<b>Design:</b>	raised
----------------	--------

### OPERATING-/INDICATION PART

<b>Lens colour:</b>	Black
<b>Lens material:</b>	Aluminium
<b>Lens shape:</b>	flush
<b>Lens illumination:</b>	non illuminative
<b>Lens optics:</b>	opaque

### ELECTRICAL CHARACTERISTICS

<b>Standards:</b>	The switches comply with the "Standards for low-voltage switching devices" DIN EN 60947-1
-------------------	---

### MECHANICAL CHARACTERISTIC

<b>Operating force:</b>	8 N
<b>Mechanical lifetime:</b>	≤3 Mio. cycles of operation
<b>Weight:</b>	0.04 kg

**Operating Travel:** ca. 5.8 mm ± 0.2 mm  
**Switching action:** Momentary

**AMBIENT CONDITION**

**Storage temperature:** - 40 °C ... + 85 °C  
**Operating temperature:** - 40 °C ... + 55 °C  
**IP Protection:** IP65 front side

**OTHER**

**Housing colour:** Grey

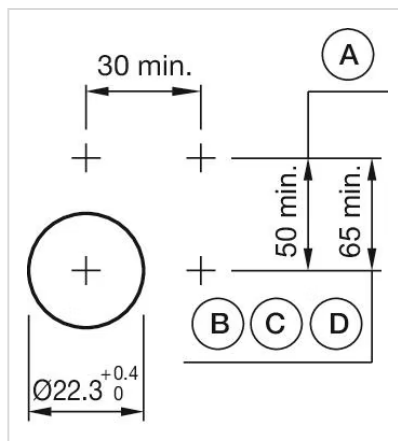
**Hints:** Frontring with protective cover to be mounted with a torque of 0.4 Nm onto actuator, Max. 3 switching elements can be clipped on

**max. number of switching elements:** 3

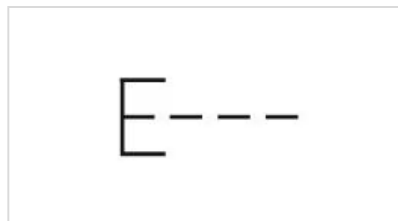
**Housing material:** Plastic

**Short Description:** Actuator, Ø 29 mm, flush, non illuminative, Black, Aluminium, opaque, round, Nature, Aluminium, anodised, Momentary

**Mounting cut-outs:**



**Wiring diagrams:**



**Dimension drawings:**

