

Indicator

K14-
040.210101

Distribution by
DigiKey

DigiKey



<https://digikey.eao.com/p/K14-040.210101>

Your product:



K14-040.210101 Indicator

OPERATING-/INDICATION PART

Lens colour:	Red
Illumination colour:	Red
Lens optics:	transparent
Lens illumination:	illuminative
Lens shape:	flush
Lens material:	Plastic

ELECTRICAL CHARACTERISTICS

Switching voltage and switching current:	250 VAC, 5 A (ohmic) 250 VAC, 2 A (inductive, $\cos(\phi) = 0.7$) 220 VDC, 0.1 A (inductive, L:R = 30 ms) 110 VDC, 0.2 A (inductive, L:R = 30 ms) 60 VDC, 0.7 A (inductive, L:R = 30 ms) 24 VDC, 2 A (inductive, L:R = 30 ms)
Electrical lifetime:	50 000 cycles of operation
Thermal current I_{th}:	5 A
Operating voltage:	24 V AC/DC
Rated Operational Voltage U_e:	250 VAC/DC according to EN IEC 61058-1
Operation current:	2,5/5 mA ± 15 %
Protection class:	II
Standards:	According to EN/IEC 61058-1
Electric strength:	3000 VAC, 50 Hz, 1 min. between all terminals and earth, according to EN/IEC 61058-1

MECHANICAL CHARACTERISTIC

Terminal:	Plug-in terminal, 2.8 x 0.5 mm
------------------	--------------------------------

Weight: 0.031 kg
Tightening torque: Fixing nut max. 0.25 Nm
Contact material: Gold-plated silver

AMBIENT CONDITION

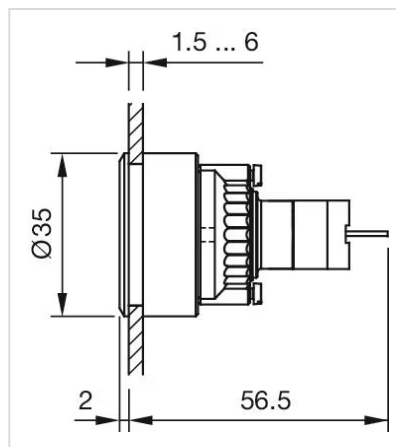
Operating temperature: - 25 °C ... + 55 °C, mounted as a block, make sure the heat can escape freely
Shock resistance: Max. 150 m / s², pulse width 11 ms, 3-axis, (semi-sinusoidal as per EN IEC 60068-2-27)
Storage temperature: - 40 °C ... + 85 °C
IP front protection: IP67, according to DIN EN 60529
Climate resistance: Standard condition, as per DIN EN 60068-2-78
Standard cyclic, as per DIN IEC 60068-2-30
Vibration resistance: Max. 100 m / s² from 10 Hz ... 500 Hz, (sinusoidal EN IEC 60068-2-6)

CERTIFICATE

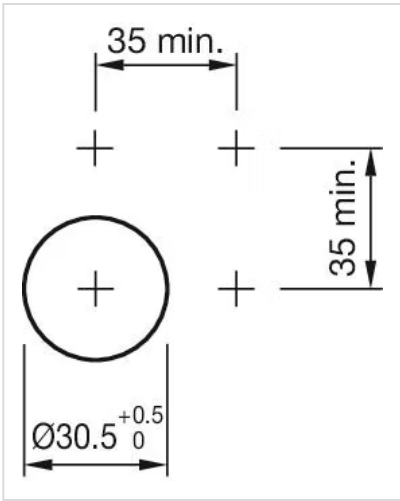
Approbations: CB (IEC 61058-1), CQC, CSA, DNV, ENEC (EN 61058-1), UL
Conformities: CE, UKCA, 2011 / 65 / EC (RoHS), 2014 / 35 / EU (LVD)

OTHER

Housing colour: Black
Housing material: Plastic
Short Description: Indicator, 24 V AC/DC, Plug-in terminal, 2.8 x 0.5 mm, Red, Red
Dimension drawings:



Mounting cut-outs:



Wiring diagrams:

